



## HEARTHBAKE SERIES COUNTERTOP ELECTRIC OVENS

### SERIES: DP-2 & DP-2BL



Bakers Pride® DP-2 series ovens feature two independently controlled baking chambers, each with two decks. The greater deck heights of these countertop ovens allow you to accommodate all kinds of bakery items, from pizzas to muffins to souffles. Choose either Cordierite with a 5" deck height or brick-lined with a 5.5" deck height. The brick-lined model has a Cordierite ceiling, which offers the added benefit of increased temperatures and recovery times. They may be easily installed at the factory or in the field.

All models feature stainless steel exteriors and 4" adjustable legs. International voltages are available.



#### FEATURES AT A GLANCE

- 208 V or 220/240 V @ 5050 watts, single or three phase
- 5" (127 mm) or 5.5" (140 mm) deck heights
- Two high-heat, fully welded, aluminized steel baking chambers
- Two 20.75" (527 mm) sq. decks
- Cordierite decks
- Brick-lined models
- Independent top and bottom controlled incoloy heating elements
- Two 15-minute, electric timers with continuous-ring alarm and manual shut-off
- 300–650°F (149–343°C) temperature range
- All stainless steel exterior
- Fully insulated
- 6' (1829 mm) cord and plug on single-phase units
- 4" (102 mm) adjustable legs
- One-year limited warranty

#### OPTIONS & ACCESSORIES

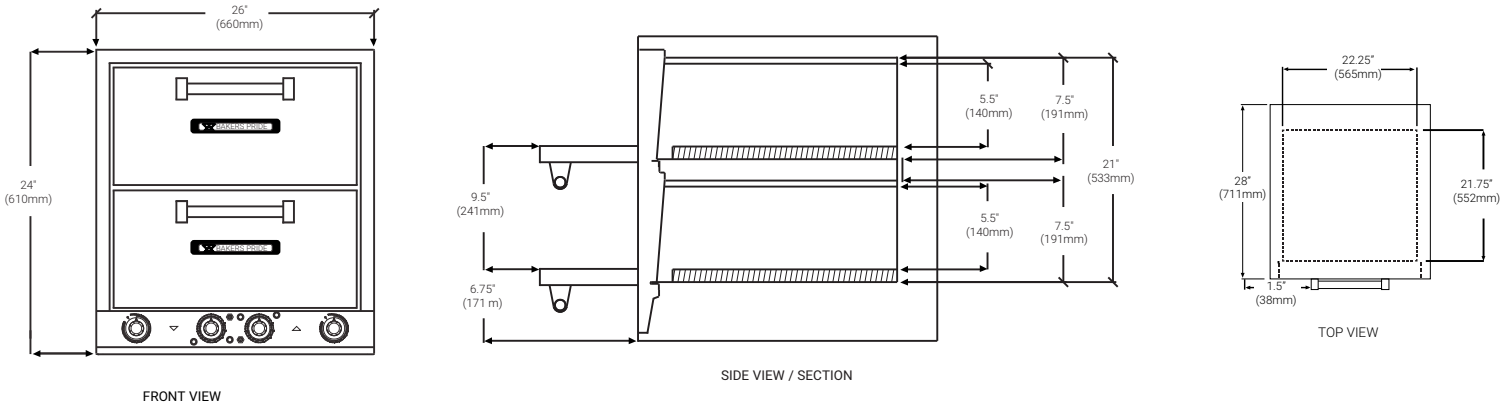
- Stainless steel stand (with or without casters)
- International voltages
- Stacking kits
- Deck brush and scraper
- Steel decks
- Infinite top and bottom heat control
- Brick-lined conversion kit (standard on DP-2BL)
- Lightstone decks



# HEARTHBAKE SERIES COUNTERTOP ELECTRIC OVENS

## SERIES: DP-2 & DP-2BL

### EQUIPMENT DIMENSIONS



### MECHANICAL SPECIFICATIONS

Model #	Overall Dim (W x H x D)	Deck Height	Deck Size	Decks	Baking Chambers	Thermostat Range	Carton Dim (W x H x D)	Cubic Feet	Cubic Meter	Ship Wt.
DP-2	26" x 24" x 28" (660 x 610 x 711)	5.5" (140)	20.75" x 20.75" (527 x 527)	2	2	284°-680°F (140-360°C)				260 (118kg)
DP-2BL	26" x 24" x 28" (660 x 610 x 711)	5" (127)	20.75" x 20.75" (527 x 527)	2	2	284°-680°F (140-360°C)				270 (122kg)

\*Height excludes legs

### POWER SUPPLY

Model #	Watts	Voltage	Phase	Amps	Plug Style			
					USA	Canada	UK	Europe
DP-2 DP-2BL	5050	208	1	24.5	6-30P	6-30P	N/A	N/A
			3	14				
DP-2 DP-2BL	5050	220/240	1	22	6-30P	6-30P	N/A	N/A
			3	12.7				

### REQUIRED CLEARANCES

Left 3" (76 mm)  
 Right 3" (76 mm)  
 Back 3" (76 mm)

In European Community Countries and North America. In NON-COMBUSTABLE locations only.

In European Community Countries only in COMBUSTIBLE locations. NOT for North America.

Bakers Pride Oven Company, LLC is a wholly owned subsidiary of Standex International Corporation.

Bakers Pride reserves the right to modify specifications or discontinue models without incurring obligation. Dimensions nominal.



Freight Class: 110  
 FOB: Allen, 75013

11.13.2017

