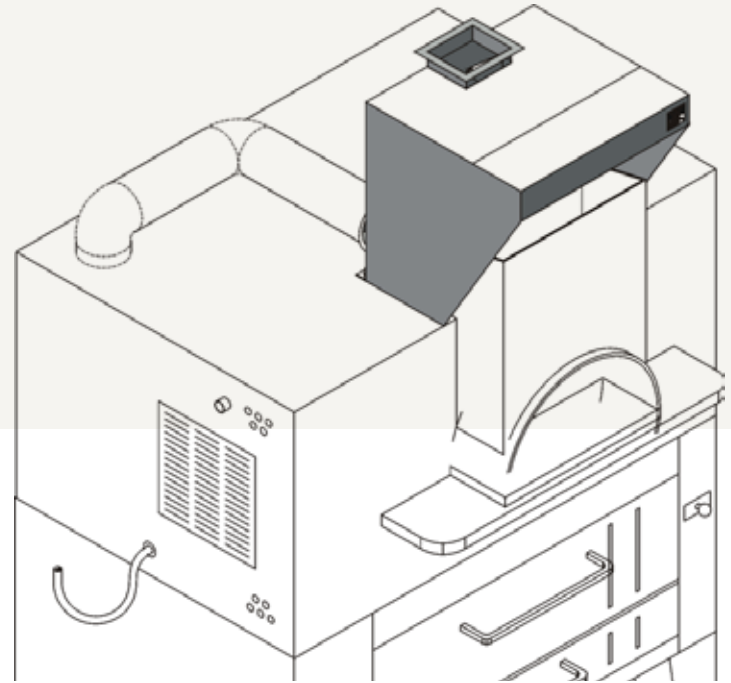
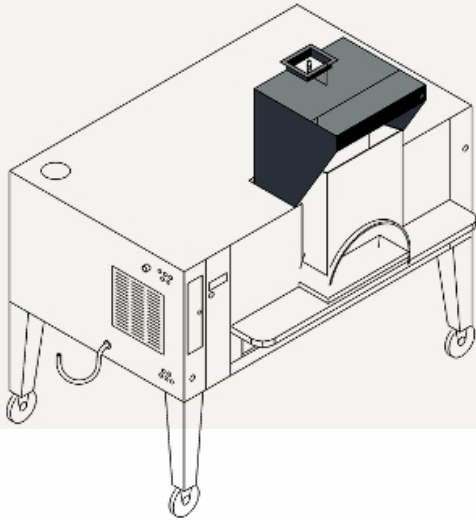




## BAKERS PRIDE VENTLESS HOODS SERIES: PB EYEBROW HOOD



The Bakers Pride® exhaust hood helps remove by-products of combustion and grease-laden vapors. The eyebrow style is a direct mount to our FC series ovens and Il Forno Classico brick ovens. Refer to each deck oven manual for calculation of CFM required to evacuate total heat load.

### MAKE-UP AIR

Make-up air must be supplied for replacement of air exhausted through all kitchen exhaust systems.

Make-up air should be delivered through registers at ceiling height & distributed throughout the kitchen.

75% to 80% of the replacement air should be fresh, outside air, conditioned (heated or cooled), distributed directly into the confines of the kitchen – with the remaining 20% to 25% allowed to flow into the kitchen from adjacent areas.

### EXHAUST FANS/MAKE-UP AIR UNITS

Exhaust fans are to be provided and installed by others in compliance with local codes.

Fans should be induced draft, squirrel cage design, equipped with backward inclined blades. Fans shall be sized to meet design air volumes and static pressure

drop for the entire system, including the ductwork.

Discharge ducts should be vertical and located at least ten feet away from supply air intakes. Supply fans or make-up air units to be furnished and installed by others in compliance with local codes. Supply units to be capable of handling the required air quantity at the total system static pressure and should be electrically interlocked for simultaneous operation.

### FIRE PROTECTION

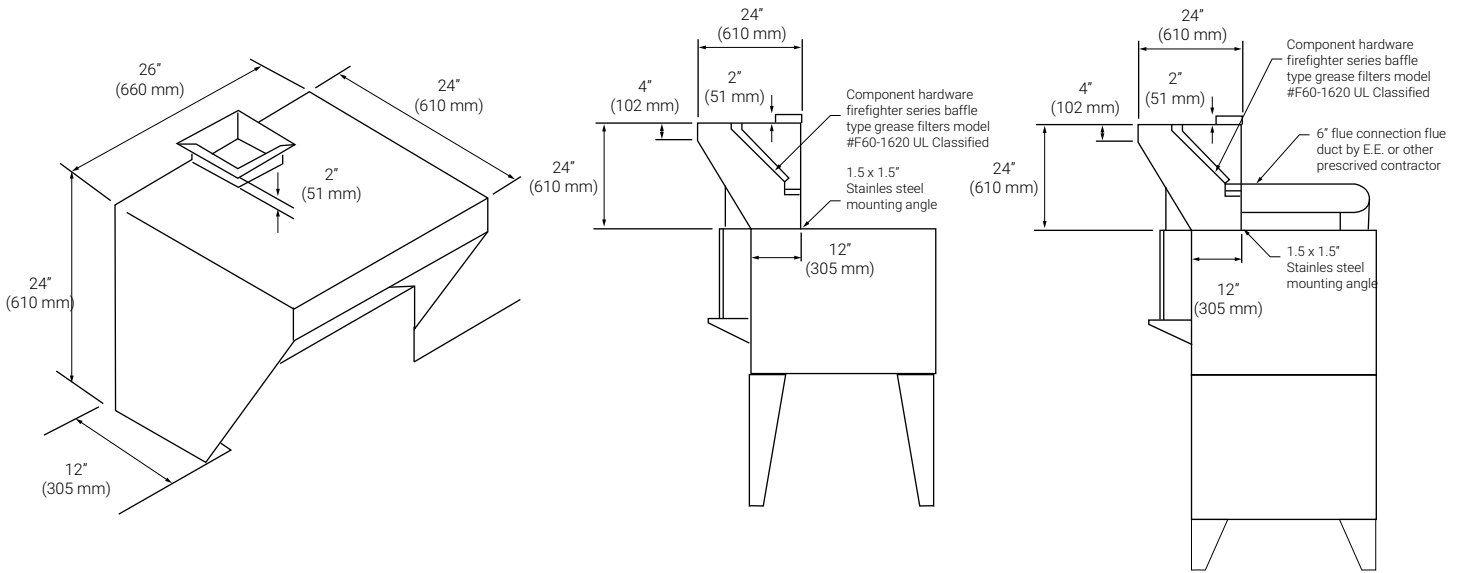
NFPA Standard No. 96 and local codes require a fire extinguishing system for protection of the duct collar and plenum of non-waterwash ventilators. Hood shall be designed to accommodate piping for Ansul R-102 fire suppression (plenum and duct protection). Fire protection system provided by HVAC contractor or other prescribed contractor. Consult local fire officials for exact requirements.



# BAKERS PRIDE VENTLESS HOODS

## SERIES: PB EYEBROW HOOD

### EQUIPMENT DIMENSIONS



### MECHANICAL SPECIFICATIONS

Model #	Overall Dim** (W x H x D)	CFM	Duct Size	Static Pressure	Description	Carton Dim (W x H x D)	Cubic Feet	Cubic Meter	Ship Wt. •
PB-24	26" x 25.5" x 26" x 43" (660 x 648 x 660)	540	6" x 7" (152 x 178)	.75	For single ovens				100 (46kg)
PB-24S	26" x 25.5" x 26" x 43" (660 x 648 x 660)	540	6" x 7" (152 x 178)	.75	For double-stacked ovens				100 (46kg)



Freight Class: 85  
FOB

Bakers Pride reserves the right to modify specifications or discontinue models without incurring obligation. Dimensions nominal.

Bakers Pride Oven Company, LLC is a wholly owned subsidiary of Standex International Corporation.

11.13.2017

