



**MODELS
EST/EST TALL
PARTS MANUAL
Rev 1.07B**



**CMA DISHMACHINES
12700 KNOTT STREET
GARDEN GROVE, CALIFORNIA 92841
800-854-6417
FAX 714-895-2141**

www.cmadishmachines.com

TABLE OF CONTENTS

MODEL EST

1. PARTS MANUAL	3
1.1. INITIAL PARTS KIT (P/N 01100.84).....	3
1.2. OPTIONAL SANI ALARM.....	4
1.3. EXPLODED VIEW DRAWINGS.....	5
1.3.1. Cabinet Assembly (EST/EST Tall).....	5
1.3.2. Control Box Assembly.....	6
1.3.3. Door Actuator Assembly (EST/EST Tall)	7
1.3.4. Door Actuator Assembly for Corner EST/EST Tall.....	8
1.3.5. Pump Assembly.....	9
1.3.6. Plumbing System Assembly (Effective August 2012)	10
1.3.7. Plumbing System Assembly.....	11
1.3.8. Spray System Assembly (EST/EST Tall)	12
1.3.9. Power Drain Assembly	13
1.3.10. Power Drain Retrofit Kit p/n 00104.95	14
1.3.11. Peristaltic Pump Assembly	15

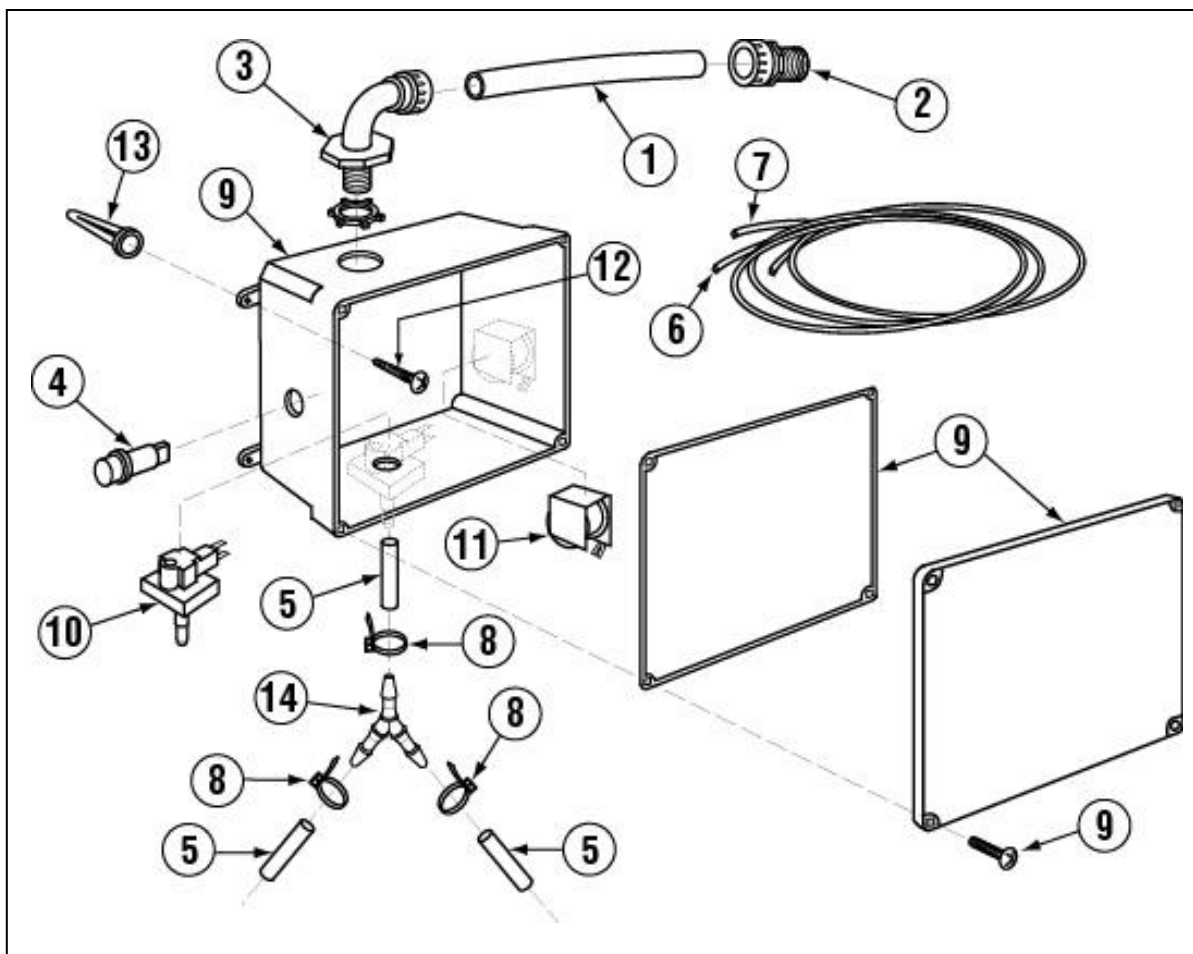
1. Parts Manual

1.1. Initial Parts Kit (P/N 01100.84)

P/N	DESCRIPTION	Qty
00104.50	Drain Motor, 120V 60Hz	1
00108.83	Drain Actuator Arm (V)	1
00109.60	Drain Actuator Shaft (V)	1
00115.87	Drain Screen	1
00120.02	Thermometer	1
00121.60	Drain Diaphragm	1
00200.10	Pump Assembly, 110/220V 60Hz	1
00206.30	Pump Seal Kit	1
00304.06	Spray Arm	1
00308.50	Spray Arm End Plug, SS	1
00341.00	Spray Arm Bearing	1
00406.00	Control Box Light, .5" Diameter, Red	1
00407.83	Timer, 90 Sec, 8 Cam	1
00416.00	Peristaltic Pump Assembly, 120V/60Hz	1
00425.51	Chemical Tubing Blue	1
00425.53	Chemical Tubing Red	1
00425.54	Chemical Tubing White	1
00470.10	Toggle Switch Rubber Boot	3
00471.10	Toggle Switch, Off/On, 20-Amp	1
00475.00	Toggle Switch, DPDT, 15-Amp, Delimer	1
00562.00	Door Limit Switch, Roller Action	1
00602.00	Door Spring	1
00631.00	Ice Cube Relay, 120V	1
00707.00	1/2" Water Solenoid Repair Kit, JE	1
00738.10	Solenoid Coil, JE, 120V (3/4" & 1/2")	1
00938.82	1/2" Drain Bushing, Brass (V)	2
00966.10	10-32X1/4 Hexhead SS Bolt	1
02257.00	Squeeze Tube Norprene	1
03415.45	Flex-Tight Fitting	1
03470.00	Toggle Switch, Momentary, Screw Terminals	1
03623.00	1/2" Vacuum Breaker Repair Kit, Watts	1
04103.14	Drain Valve Spring	1

1.2. Optional Sani Alarm

Part Number 12508.00



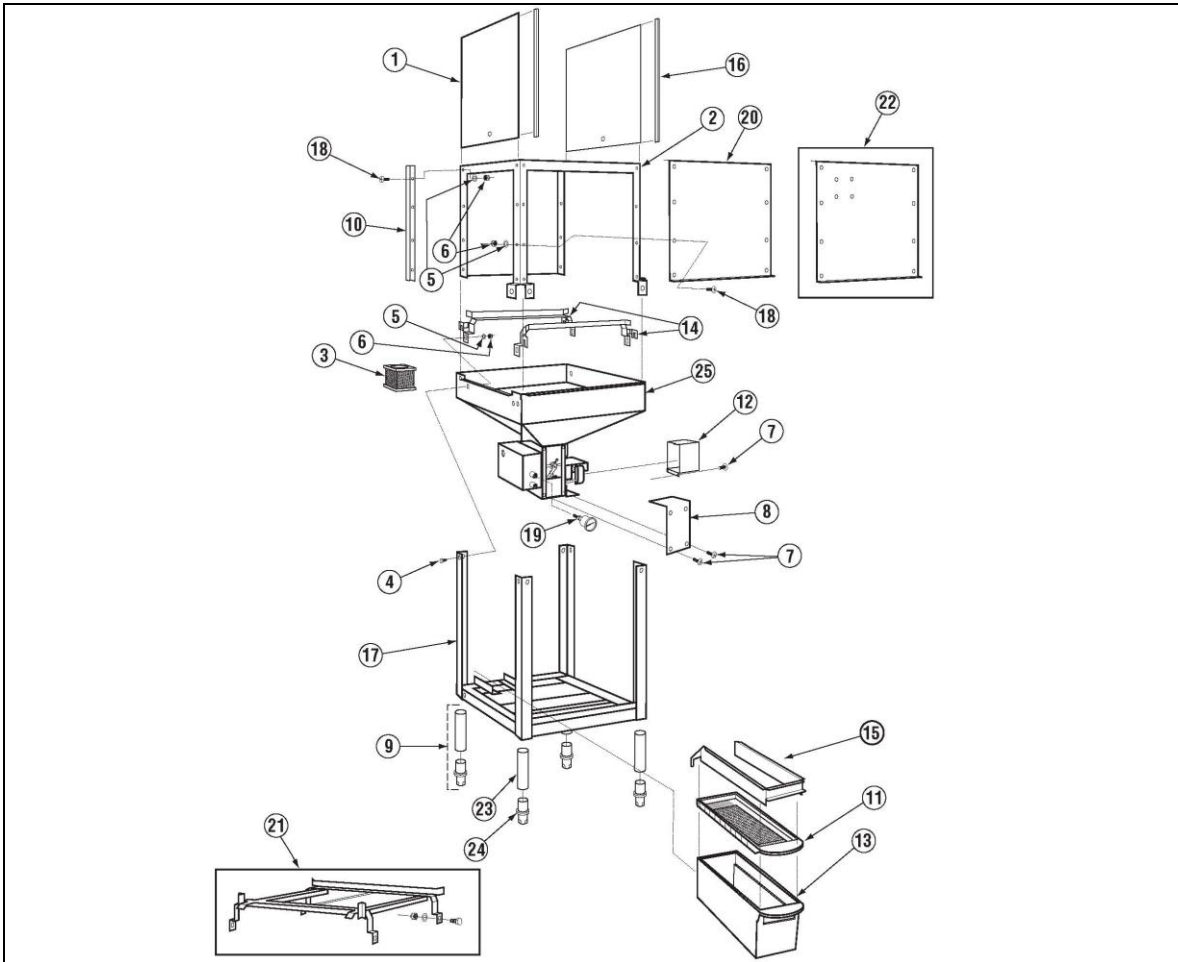
Exploded View

ITEM NO.	NO. REQ'D	P/N	DESCRIPTION
1	3	00400.00	Conduit, 3/8" Sealtite
2	1	00401.00	S.T. 3/8" Straight Connector
3	1	00402.00	S.T. 90 Degree 3/8" Connector
4	1	00406.00	Control Box Light, .5" Diameter, Red
5	1	00435.00	Squeeze Tube, 8"
6	1	00521.00	Wire, 18 Gauge, Orange, 6 ft.
7	1	00531.00	Wire, 18 Gauge, White, 6 ft.

ITEM NO.	NO. REQ'D	P/N	DESCRIPTION
8	5	00931.00	Wire Tie, Small
9	1	12510.00	Sanitizer Alarm Box Assembly
10	1	12511.50	Sanitizer Low Level Vacuum Switch
11	1	12512.00	Sanitizer Alarm Buzzer, 120 Volts
12	4	40126.10	#10 x 3/4" Sheet metal Screw
13	4	40127.00	Wall Anchors
14	1	00426.00	Y Hose Connector, 3/16"

1.3. Exploded View Drawings

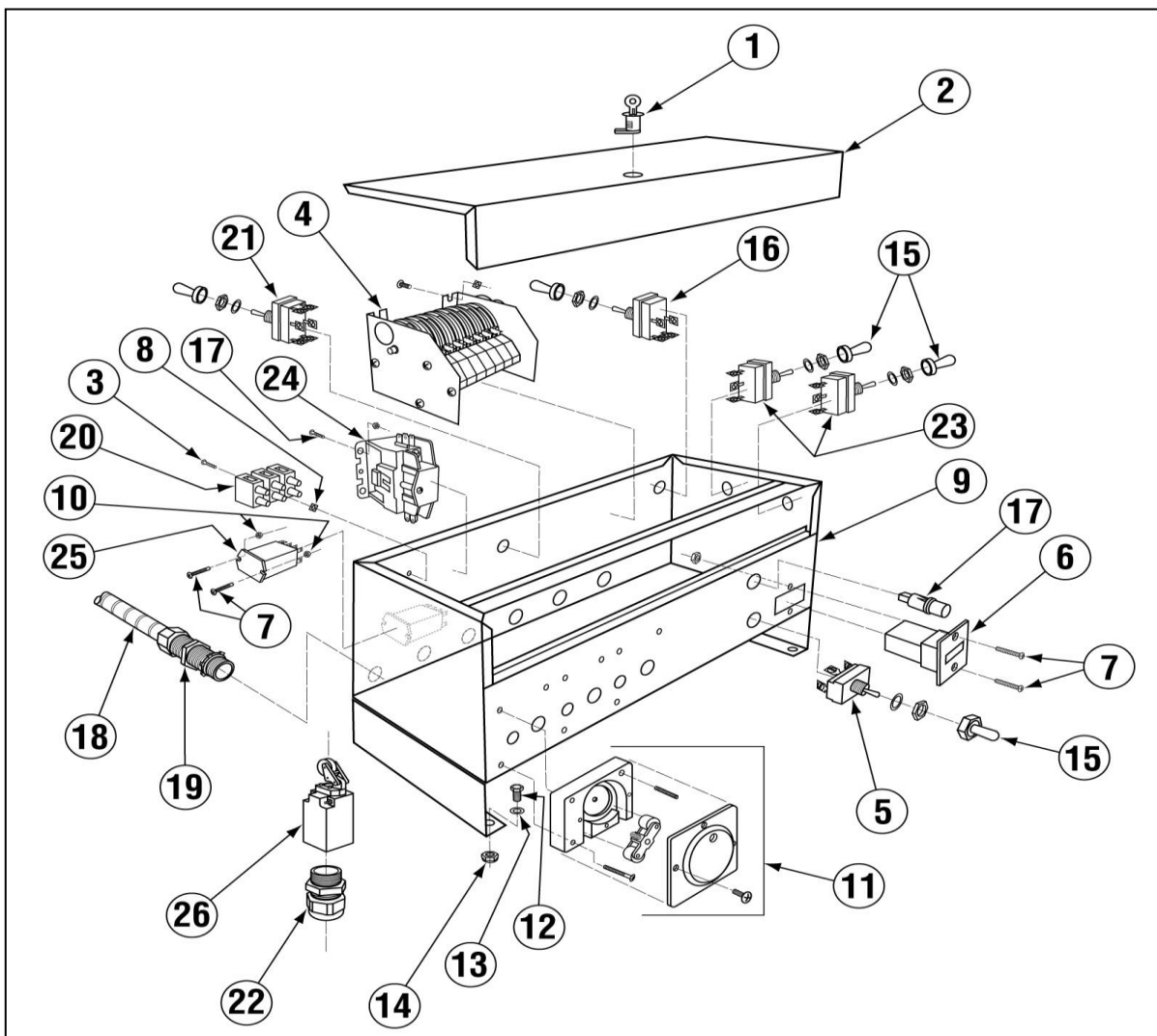
1.3.1. Cabinet Assembly (EST/EST Tall)



ITEM NO.	NO. REQ'D	P/N	DESCRIPTION
1	2	01506.30	Door (Standard Stamped)
		01506.10	Door (Pizza) Dimple Stamped
2	1	01510.50	Wrapper 3 Door EST (2010)
		01510.43	Wrapper EST-Tall (2010)
3	1	00115.87	Drain Screen
4	18	00906.00	1/4-20 x 1/2" Hex head Bolt
5	60	00924.00	1/4" SS Washer
6	40	00912.00	1/4" Nylon Lock Nut
7	6	00940.50	10-32 x 3/8" Truss Head Screw
8	1	00120.40	EVA Power Drain Cover
9	4	01145.00	Leg Ass'y 10" wAdjustable Socket
10	4	01554.30	Ez Glide Door Guide SS 21 1/8"
		17554.00	CMA-180 Door Guide 26-3/8"
11	1	01577.21	S/S Scrap Trap Drawer
12	1	01573.30	Sani Mount/Drain Lid
13	1	01577.10	Scrap Trap Body

ITEM NO.	NO. REQ'D	P/N	DESCRIPTION
14	2	01505.32	Tray Track, Inline
15	1	01579.50	EVA Splash Card
16	4	00636.10	EZ Glide Door Guide Sq 21-7/8"
		00636.15	EZ Glide Door Guide 25-7/8"
17	1	01502.95	EST Stand
18	16	00905.00	1/4-20 x 1/2" Truss Head Bolt
19	1	00120.02	Thermometer (Bi Metal)
20	1	01540.40	Wrapper Panel E-AH/EST w/o holes
		01540.44	Wrapper Panel E-EVA AH Tall
21	1	01505.10	Tray Track, Corner
22	1	01540.39	Wrapper Panel EVA-C
		01540.43	Wrapper Panel EVA-C Tall
23	4	01572.10	SS Leg
24	4	01310.00	Bullet Foot
25	1	1502.90	EST Pan

1.3.2. Control Box Assembly



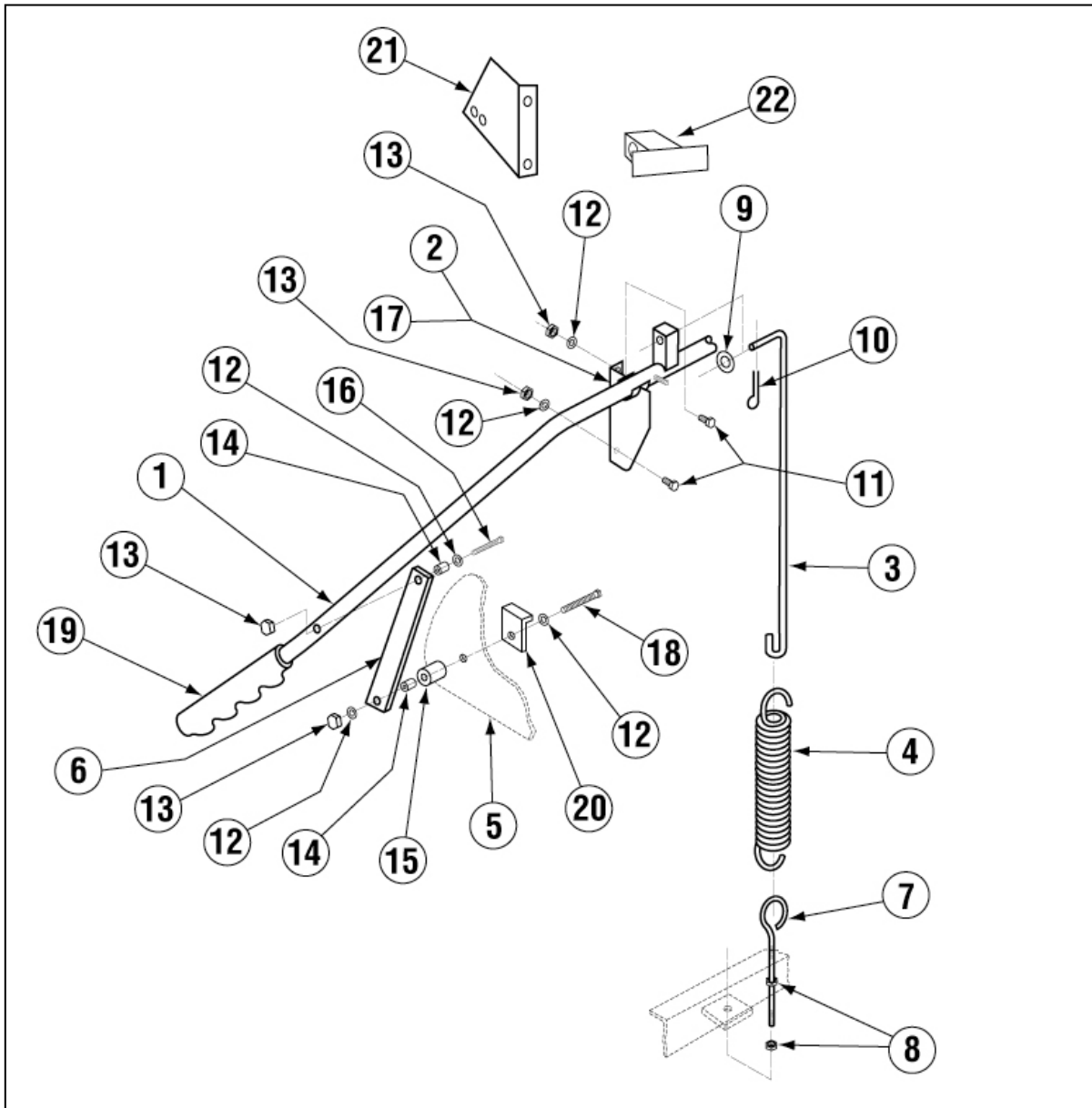
Note: Wiring Harness (V)—Part Number 00414.82—(not shown).

ITEM NO.	NO. REQ'D	P/N	DESCRIPTION
1	1	00449.00	Lock and Key
2	1	01504.17	Control Box Lid
3	5	00911.50	8-32 x 3/8" Pan Head Screw
4	1	00407.83	Timer, 90 Seconds
5	1	03470.01	Toggle Switch, Momentary
6	1	03408.50	Counter (Face Mount)
7	4	00907.00	6-32 x 1/2" SS Pan Head Screw
8	4	00917.00	8-32 PM Nut
9	1	01503.17	Control Box Body
10	4	00916.00	6-32 pm nut
11	3	00415.00	Peristaltic Pump Assembly*
12	4	00906.00	1/2-20 x 1/2" Hex Head Bolt
13	4	00924.00	1/4" SS Washer
14	4	00912.00	1/4-20 Nylon Lock Nut

ITEM NO.	NO. REQ'D	P/N	DESCRIPTION
15	5	00470.10	Toggle Switch Boot
16	1	00471.10	Toggle Switch Off/On 20 Amp
17	2	00406.00	Control Box Light, 120V, 60Hz
18	1	00400.00	Conduit, 3/8" Sealtite
19	3	00401.00	S.T. 3/8" Straight Connector
20	1	00454.10	3-Pole Socket Terminal Block
21	1	00475.00	Toggle Switch, 15 Amp
22	1	00562.60	Connector, #562 Door Limit Switch
23	2	03470.00	Toggle Switch
24	1	00404.82	Contact Relay
25	1	00631.00	Ice Cube Relay
26	1	00562.00	Door Limit Switch, Roller Action

*See section 1.3.11 Peristaltic Pump Assembly for details

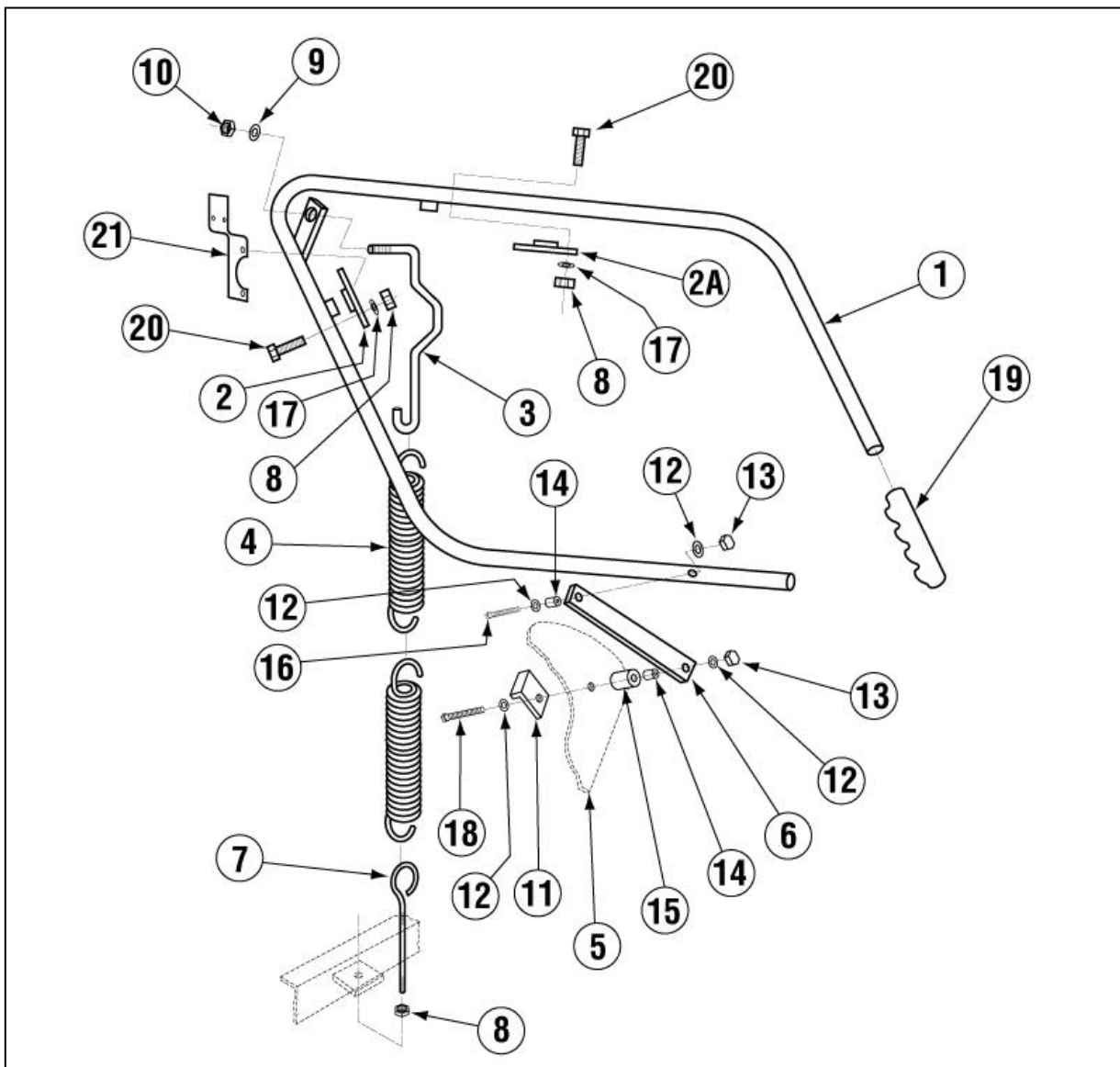
1.3.3. Door Actuator Assembly (EST/EST Tall)



ITEM NO.	NO. REQ'D	P/N	DESCRIPTION
1	1	00613.32	Door Handle, 1"
2	1	01556.50	Door Handle Support, 1" (Right)
3	2	00603.07	Door Spring Extension Rod
4	2	00602.00	Door Spring
		00602.20	Door Spring (Heavy Duty)
5	2	01506.30	Door (Cut Away)
6	2	01553.00	Door Handle Link
7	2	00606.50	Turn Buckle
8	2	00913.00	5/16-18 Nut
9	2	00926.00	5/16" SS Washer
10	2	00900.00	Cotter Pin

ITEM NO.	NO. REQ'D	P/N	DESCRIPTION
11	4	00906.00	1/4-20 x 1/2" Hex Head Screw
12	6	00924.00	1/4" SS Washer
13	8	00912.00	1/4-20 Nylon Locknut
14	4	00610.00	Door Handle Spacer, Small
15	4	00611.00	Door Handle Spacer, Large
16	2	00910.00	1/4-20 x 1-1/2" Hex Bolt
17	1	01555.50	Door Handle Support, 1" (Left)
18	2	00903.00	1/4-20 x 1-3/4" Hex Head Bolt
19	2	00607.04	Door Handle Cap, 1"
20	2	01552.00	Door Stop
21	1	00563.40	Door Switch Bracket (8-08)
22	1	00563.42	Door Switch Actuator (8-08)

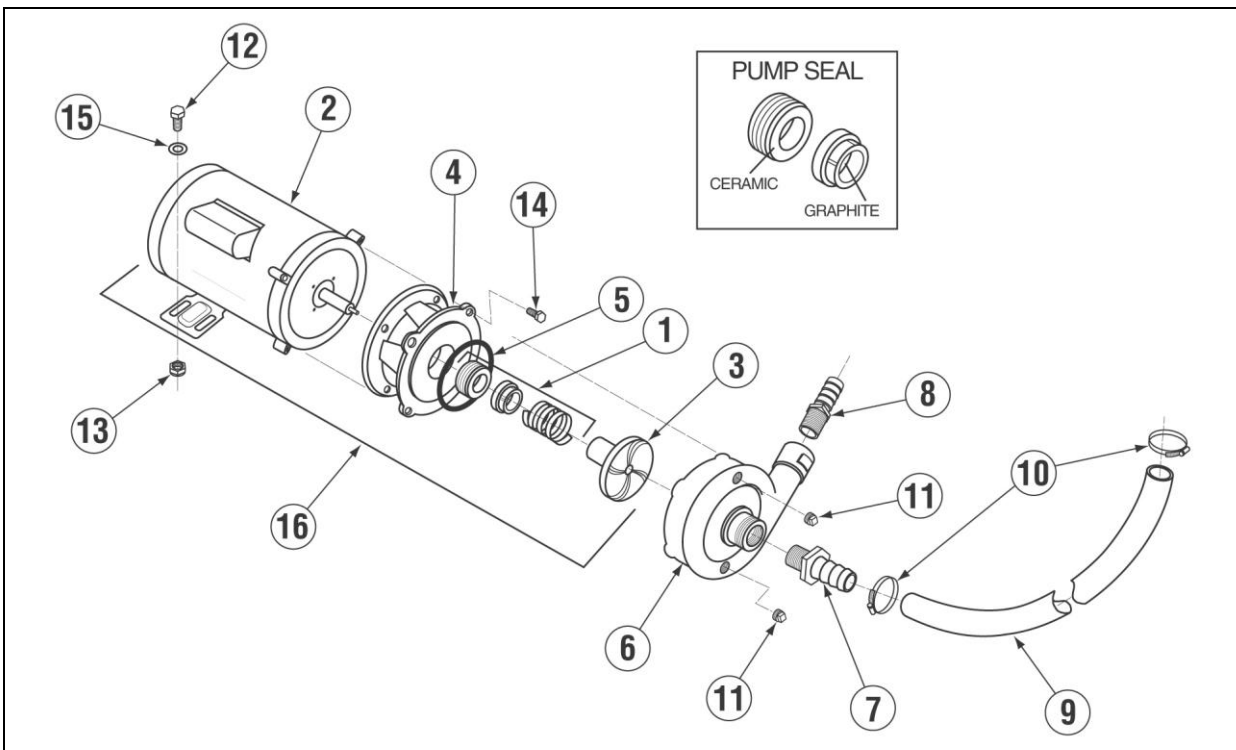
1.3.4. Door Actuator Assembly for Corner EST/EST Tall



ITEM NO.	NO. REQ'D	P/N	DESCRIPTION
1	1	00613.44	Door Handle EVA-C
2	1	00619.34	Door Handle Mounting Plate, Long
2A	1	00619.44	Door Handle Mounting Plate, Short
3	1	00603.86	Extension Rod EVA-C
4	2	00602.00	Door Spring
		00602.20	Door Spring (Heavy Duty)
5	2	01506.30	Door
6	2	01553.00	Door Handle Link
7	1	00606.10	Turn Buckle
8	9	00913.00	5/16-18 Nut
9	9	00926.00	5/16 SS Washer

ITEM NO.	NO. REQ'D	P/N	DESCRIPTION
10	1	13805.00	5/16-18 Nylon Lock Nut
11	2	01552.00	Door Stop
12	6	00924.00	1/4" SS Washer
13	4	00912.00	1/4-20 Nylon Lock Nut
14	4	00610.00	Door Handle Spacer, Small
15	4	00611.00	Door Spacer, Large
16	2	00903.00	1/4-20 x 1-3/4" Hex Head Bolt
17	8	00926.00	5/16" SS Washer
18	2	00910.00	1/4-20 x 1-1/2" Hex Head Screw
19	2	00607.04	Door Handle Cap
20	8	00920.00	5/16-18 x 3/4" Hex Head Bolt
21	1	00563.30	Limit Switch Door Bracket, E-VAC

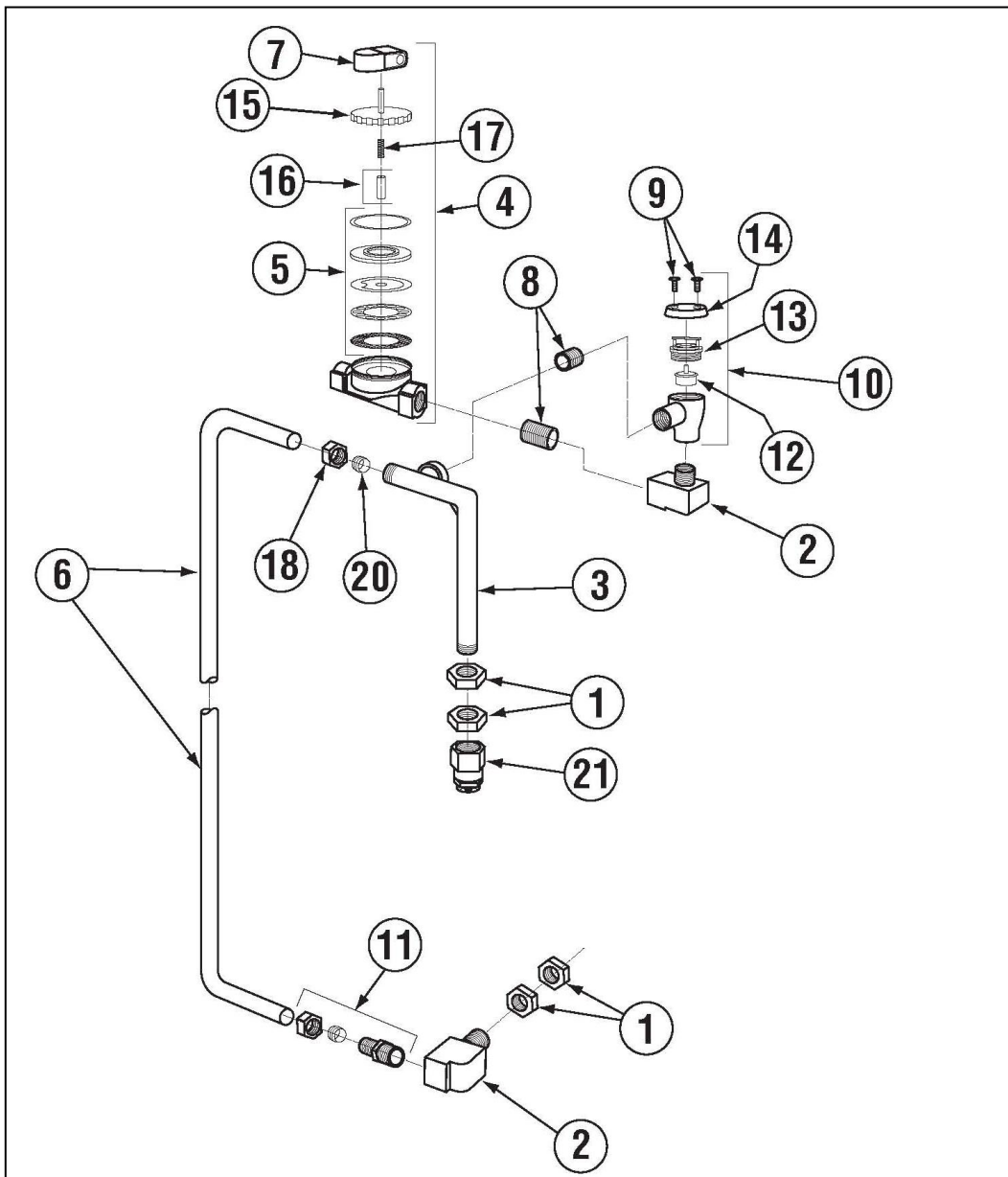
1.3.5. Pump Assembly



ITEM NO.	NO. REQ'D	P/N	DESCRIPTION
1	1	00206.30	Pump Seal Kit
2	1	00201.00	Pump Motor 1Hp 115/208-230V
3	1	03222.10	Impeller (Universal) Open
4	1	03224.00	Pump Base
5	1	03226.00	Pump O Ring Gasket
6	1	04206.00	Pump Cover
7	1	50302.40	1 ¼ MIP X 1" Barb Fitting
8	1	50302.06	1" MPT X 1" Barb PVC Sch 80

ITEM NO.	NO. REQ'D	P/N	DESCRIPTION
9	1	03108.61	Transfer Hose 1"
10	2	03101.00	Hose Clamp # 16 1"
11	2	00238.00	3/8 Male Plug
12	1	00906.00	1/4-20 X 1/2 Hexhead Bolt
13	1	00912.00	1/4-20 Nylon Lock Nut
14	4	00921.00	3/8-16 X 3/4 SS Hexhead Bolt
15	1	00924.00	1/4 SS Washer
16	1	00200.10	Pump Assy 110/220V 60Hz open

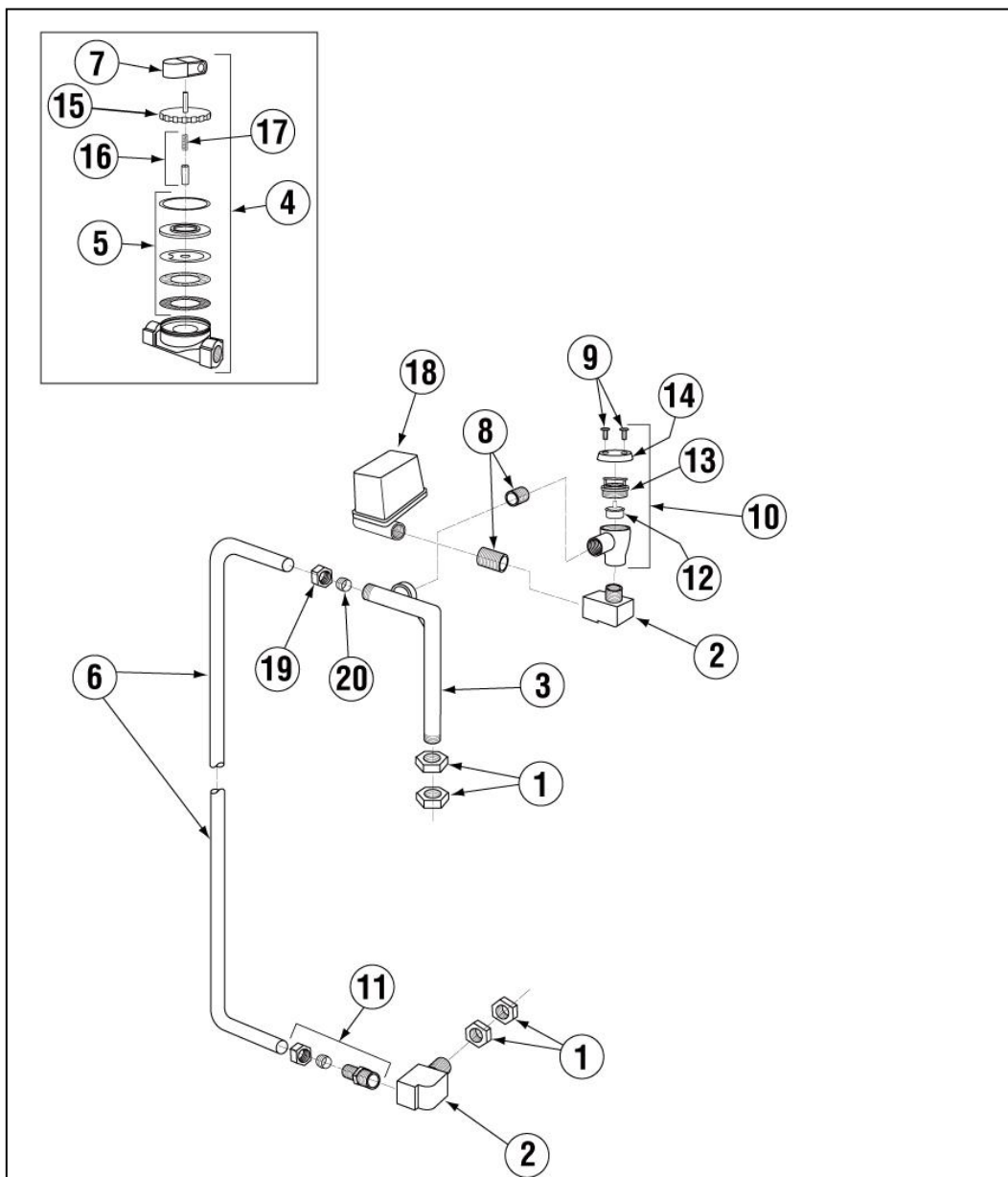
1.3.6. Plumbing System Assembly (Effective August 2012)



ITEM NO.	NO. REQ'D	P/N	DESCRIPTION
1	4	00721.00	1/2" Jamb Nut
2	2	00745.00	1/2" Street Elbow
3	1	00770.00	Water Inlet Elbow Assy
4	1	03603.10	1/2" Water Solenoid Assembly, J/E*
5	1	00707.00	1/2" Water Solenoid Repair Kit
6	1	00796.20	Flush Tube
7	1	00738.10	Water Solenoid Coil
8	2	00742.00	1/2" x 1-1/2" Brass Nipple
9	2	00421.51	6-32 x 1/4" Pan Head Screw
10	1	03624.00	Vacuum Breaker Assembly, Watts**
11	1	00760.00	5/8" Compression x 1/2" MIP Adapter

ITEM NO.	NO. REQ'D	P/N	DESCRIPTION
12	1	03623.00	1/2" Vacuum Breaker Repair Kit
13	1	03624.25	1/2" Vacuum Breaker Bonnet, Brass
14	1	00739.50	Vacuum Breaker Cap, SS (fits 1/2" or 3/4")
15	1	03603.20	1/2" Water Solenoid Bonnet
16	1	00786.00	Water Solenoid Valve Plunger w/Spring
17	1	00706.10	Valve Plunger, Spring Only
18	1	03604.00	SS Water Solenoid Valve 1/2"
19	1	00710.10	5/8" Compression Fitting Nut
20	1	00710.20	5/8" Compression Fitting Ring
21	1	00748.00	Sprinkler Head

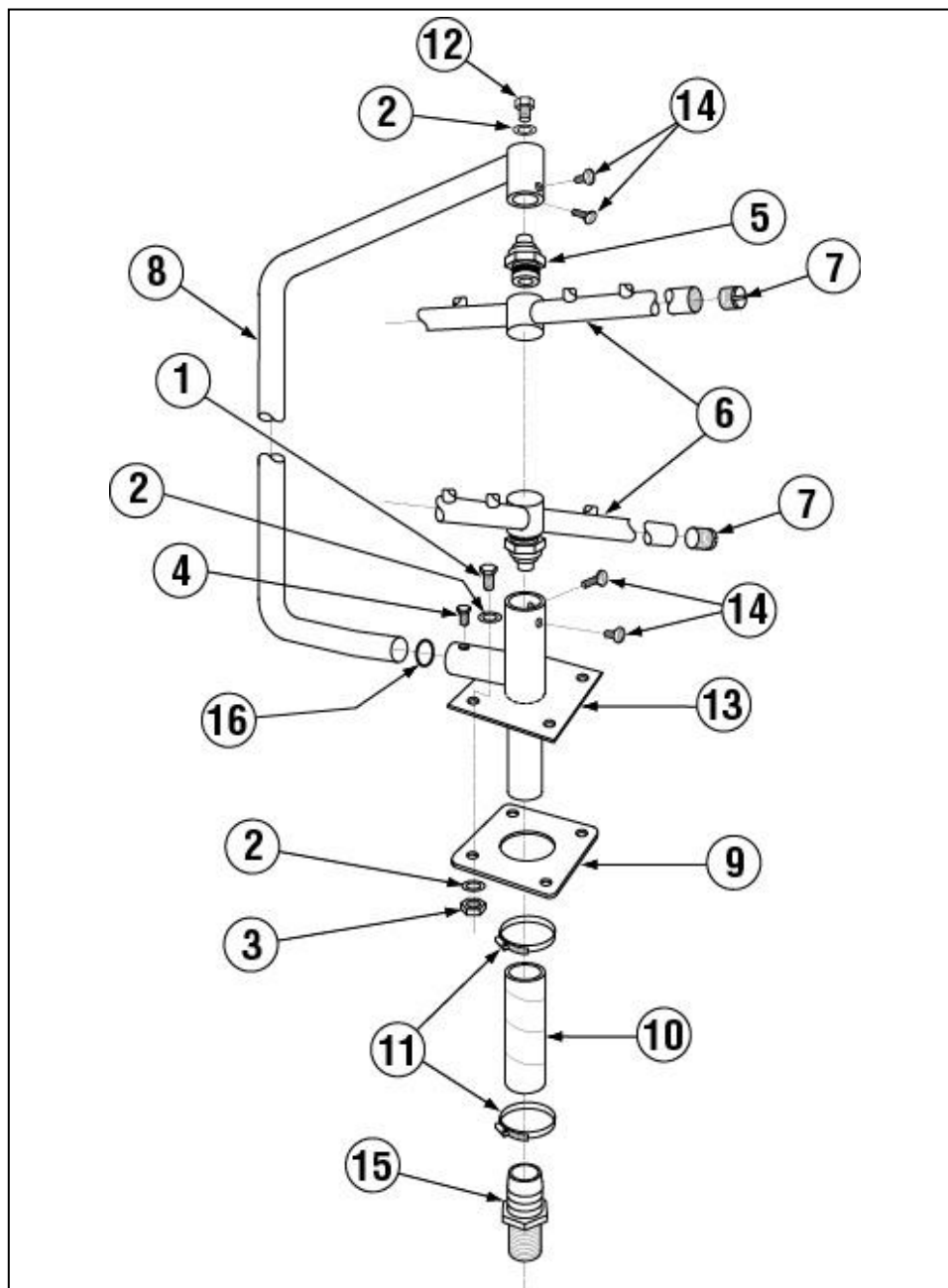
1.3.7. Plumbing System Assembly



ITEM NO.	NO. REQ'D	P/N	DESCRIPTION
1	4	00721.00	1/2" Jamb Nut
2	2	00745.00	1/2" Street Elbow
3	1	00770.00	Water Inlet Elbow Assy
4	1	03603.10	1/2" Water Solenoid Assembly, J/E*
5	1	00707.00	1/2" Water Solenoid Repair Kit
6	1	00796.20	Flush Tube
7	1	00738.10	Water Solenoid Coil
8	2	00742.00	1/2" x 1-1/2" Brass Nipple
9	2	00421.51	6-32 x 1/4" Pan Head Screw
10	1	03624.00	Vacuum Breaker Assembly, Watts**

ITEM NO.	NO. REQ'D	P/N	DESCRIPTION
11	1	00760.00	5/8" Compression x 1/2" MIP Adapter
12	1	03623.00	1/2" Vacuum Breaker Repair Kit
13	1	03624.25	1/2" Vacuum Breaker Bonnet, Brass
14	1	00739.50	Vacuum Breaker Cap, SS (fits 1/2" or 3/4")
15	1	03603.20	1/2" Water Solenoid Bonnet
16	1	00786.00	Water Solenoid Valve Plunger w/Spring
17	1	00706.10	Valve Plunger, Spring Only
18	1	03604.00	SS Water Solenoid Valve 1/2"
19	1	00710.10	5/8" Compression Fitting Nut
20	1	00710.20	5/8" Compression Fitting Ring

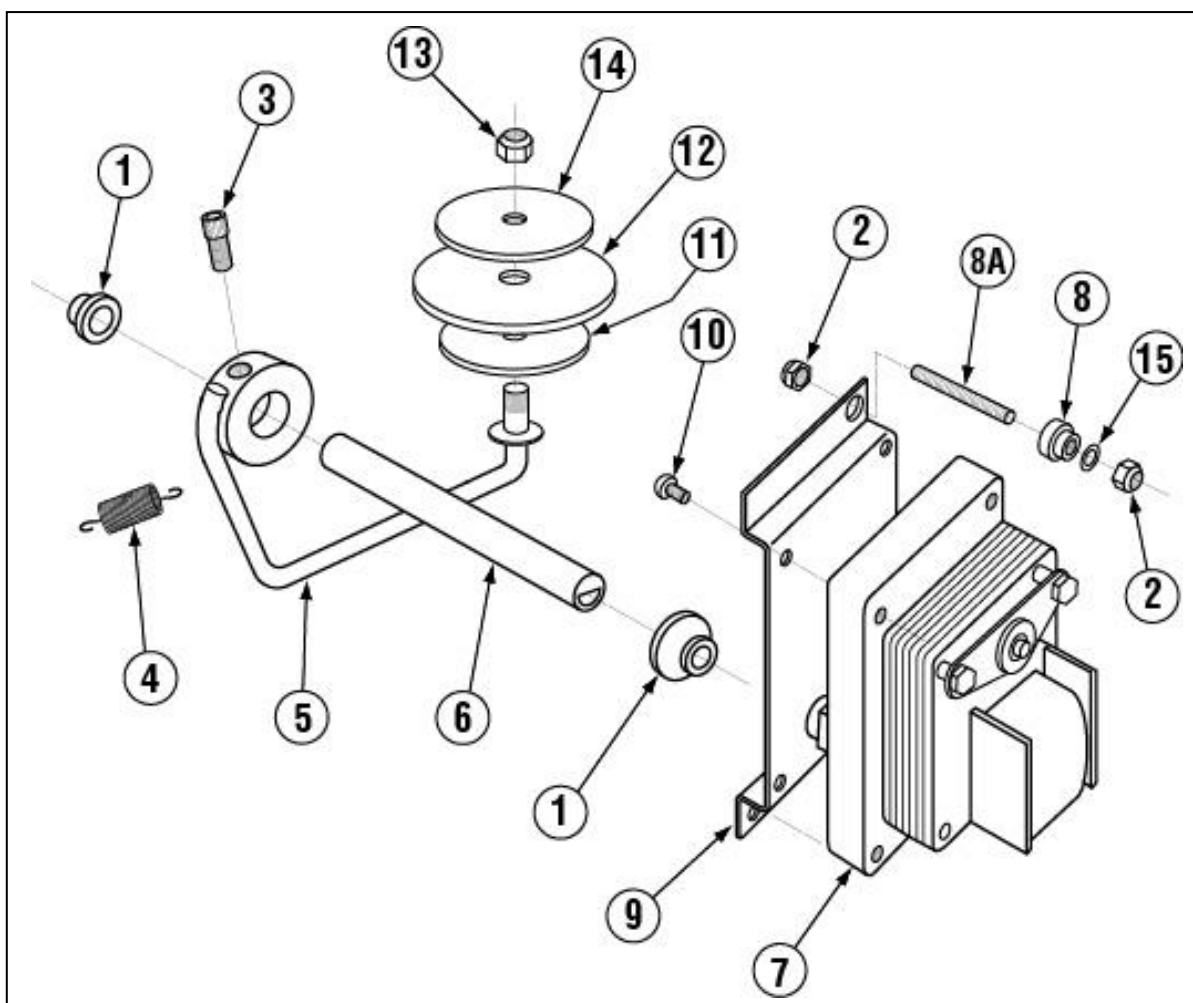
1.3.8. Spray System Assembly (EST/EST Tall)



ITEM NO.	NO. REQ'D	P/N	DESCRIPTION
1	4	00914.00	1/4-20 x 3/4" Hex Head Bolt
2	9	00924.00	1/4" SS Washer
3	4	00912.00	1/4-20 Nylon Lock Nut
4	1	00966.10	10-32 x 1/4" Hex Head SS Bolt
5	2	00341.00	Spray Arm Bearing
6	2	00304.06	Spray Arm A/C Series
7	4	00308.50	Spray Arm End Plug SS
8	1	00305.20	Spray Manifold, EST/N- EVA
	1	00305.22	Spray Manifold, EVA Tall

ITEM NO.	NO. REQ'D	P/N	DESCRIPTION
9	1	04306.00	Square Manifold Gasket
10	1	03108.64	Transfer Hose 1" Reinforced 6"
11	2	03101.00	Hose Clamp
12	1	00905.82	1/4-20 x 3/8" Truss Head Bolt
13	1	00357.20	Lower Spray Base, N EVA 2007
14	4	00955.00	5/16-18 x 5/8" Thumbscrew
15	1	50302.06	1" MPT X 1" Barb PVC Schedule 80
16	1	00302.84	Spray Base O-Ring, E-VA

1.3.9. Power Drain Assembly



ITEM NO.	NO. REQ'D	P/N	DESCRIPTION
1	2	00938.82	1/2" Drain Bushing, Brass (V)
2	4	03801.00	10-32 Lock Nut
3	1	00906.82	1/4-20 x 5/8" Socket Head Screw
4	1	00105.82	Drain Spring (V)
5	1	00108.83	Drain Actuator Arm (includes #3)
6	1	00109.60	Drain Actuator Shaft (V)
7	1	00104.50	Drain Motor, 120V 60Hz
8	2	00109.40	Shoulder Nut, SS

ITEM NO.	NO. REQ'D	P/N	DESCRIPTION
8A	2	00109.50	10-32 x 1" Stud
9	1	01511.84	Drain Motor Bracket – 3 rd Generation
10	2	00941.00	10-32 x 5/8" Pan Head Screw
11	1	01520.82	Diaphragm Support Disk, 1-1/8"
12	1	00121.60	Drain Diaphragm
13	1	00912.00	1/4-20 Nylon Lock Nut
14	1	01521.82	Diaphragm Support Disk, 2"
15	2	04806.00	#10 Brass Washer

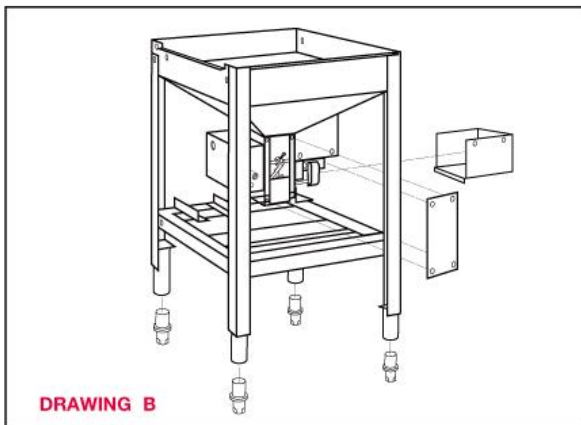
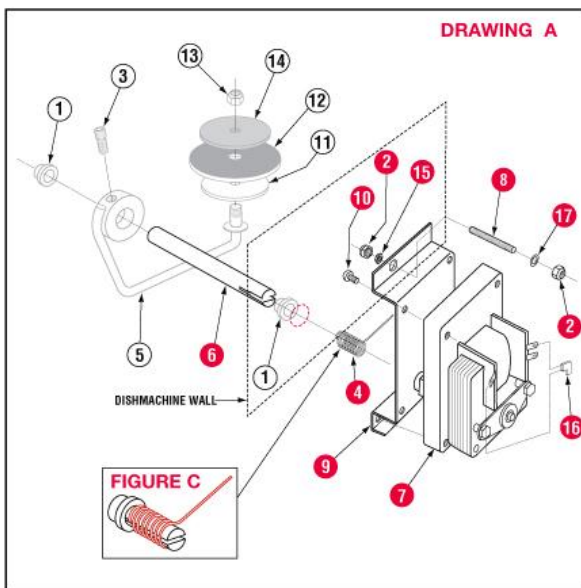
1.3.10. Power Drain Retrofit Kit p/n 00104.95

POWER DRAIN KIT P/N 00104.95

11-14-07

POWER DRAIN ASSEMBLY INSTRUCTIONS

1. Remove drain lid and power drain cover (see drawing B).
2. Remove hardware securing drain motor. Discard all hardware holding motor in place.
3. Remove and discard motor bracket from motor, but save two (#10) 10-32 screws.
4. Install hardware (#2, #8, #15). Thread two (#8) studs through tank and secure in place with (#2) nylon lock nuts. On the outside of tank install (#15) thin nut onto the (#8) stud and secure. **NOTE:** The (#15) thin nut serves a very important purpose in drain function.
5. From kit install new drain motor bracket to drain motor with two saved (#10) 10-32 screws.
6. Remove drain shaft by loosening (#3) screw on (#5) drain actuator arm. Discard drain shaft.
7. Install the new (#6) drain shaft from the kit and align drain actuator arm to the tank using the (#3) set screw. Make sure the flat side of the (#6) drain shaft has the (#3) set screw tightening against it.
8. Install (#4) drain spring properly on drain shaft and pay particular attention to the positioning of the long arm on spring. The long arm will rest against the top right side of drain motor bracket. (See drawing A). Install short end of spring into slot of drain shaft. (See figure C).
9. Align the shaft of the (#7) drain motor with (#6) drain actuator shaft slot as motor is placed into position. Drain motor bracket with motor attached is secured to (#8) studs using (#2 and #17) nylon lock nuts and washers.
10. Grease the drain shaft and (#1) drain bushings. Replace drain lid and drain cover. When drain kit has been completed, energize drain several times and check its function. **NOTE:** Remove electrical spade connectors from wires leading to drain motor and replace with two (#16) flag terminals supplied in drain kit. This will allow proper clearance between drain lid and flag terminals.



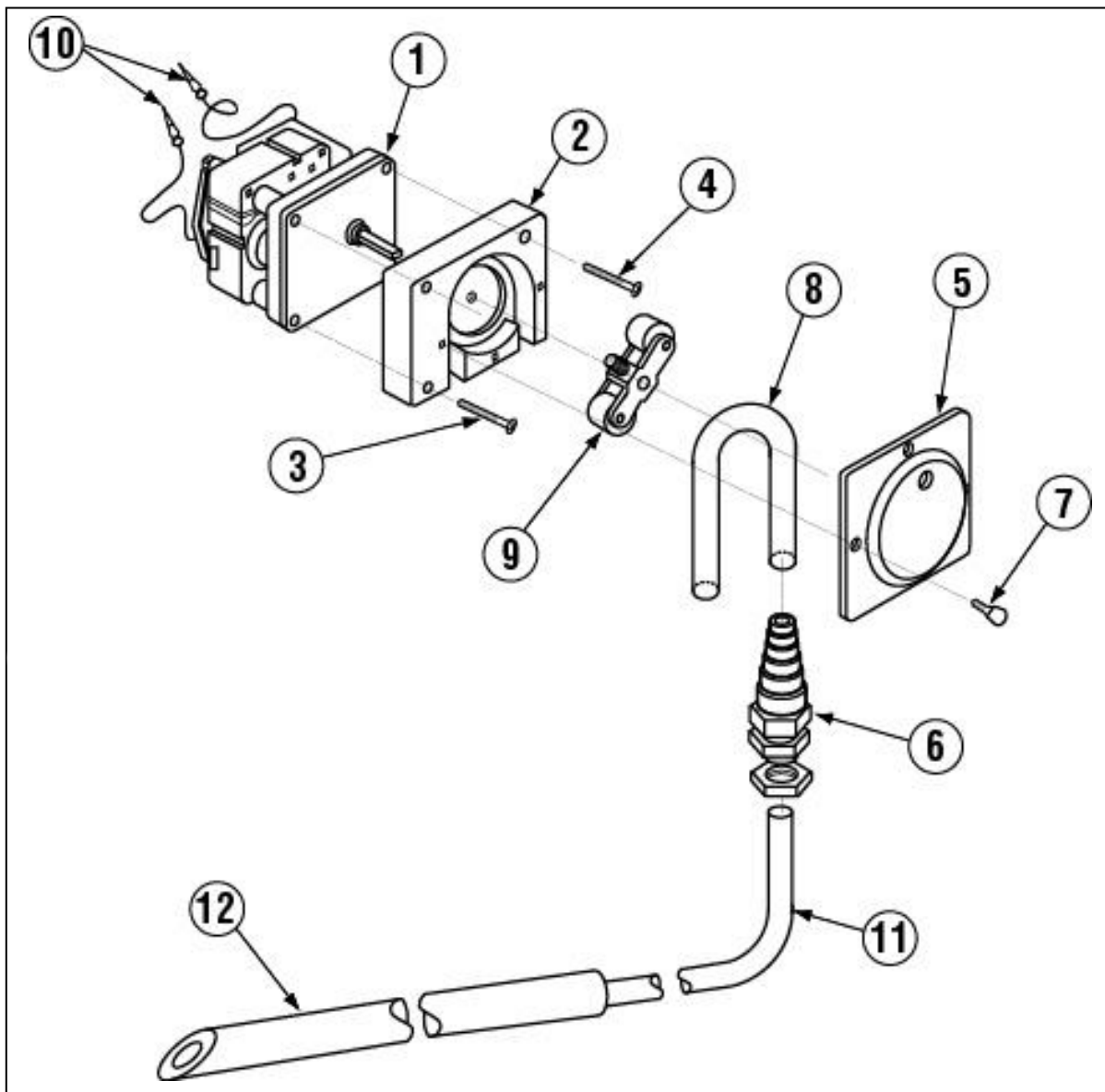
ITEM NO.	NO. REQ'D	DESCRIPTION
1	2	P/N 00938.82 Drain Bushing
2	2	P/N 03801.00 10/32 Nylon Lock Nut
3	1	P/N 00906.82 Socket Head Screw
4	1	P/N 04103.14 Drain Spring
5	1	P/N 00108.82 Drain Actuator Arm
6	1	P/N 00109.60 Drain Shaft EVA
7	1	P/N 00104.50 Drain Motor 120V
8	2	P/N 00109.50 Drain Mounting Studs
9	1	P/N 01511.86 Drain Motor Bracket
10	4	P/N 00941.00 10-32X5/8 PanHead Screw
11	1	P/N 01520.82 Support Disk
12	1	P/N 00121.60 Drain Diaphragm
13	1	P/N 00912.00 Nylon Nut
14	1	P/N 01521.82 Two Inch Support Disk
15	1	P/N 03801.20 10/32 Thin Nut
16	2	P/N 00557.20 Flag Terminal 14-16 GAUGE
17	2	P/N 00924.00 SS Washer

NOTE: Items in bold are included in the Power Drain Kit. "All items in power drain kit must be used for drain to operate properly"



12700 Knott Avenue
Garden Grove, CA 92841
For Questions Call: 800-854-6417
714-898-6781 • FAX 714-895-2141
www.cmadishmachines.com

1.3.11. Peristaltic Pump Assembly



ITEM NO.	NO. REQ'D	P/N	DESCRIPTION
1	1	00416.00	Peristaltic Pump Motor
2	1	00417.10	Peristaltic Pump Block
3	2	00919.00	10-32 x 1-1/2" Pan Head Screw
4	1	00918.10	10-32 x 1-1/2" Fillister Head Screw
5	1	00418.00	Peristaltic Pump Block Cover
6	1	03415.50	Flex-Tight Fitting
7	4	00911.00	8-32 x 1/2" Pan Head Screw

ITEM NO.	NO. REQ'D	P/N	DESCRIPTION
8	1	2257.00	Squeeze Tube
9	1	00419.00	2-Bearing Rotor Assembly*
10	2	00448.00	Barrel Connector, Male
11	1	00425.51	Chemical Tubing, Blue
	1	00425.53	Chemical Tubing, Red
	1	00425.54	Chemical Tubing, White
12	3	00443.00	Tube Stiffener

Comes w/rotor spacer P/N 422.50