

# BOTTLE COOLER (32°F)

**Model: CBC37-DC**

## 37" Deep Chill Bottle Cooler

Textured baked black enamel finish exterior with all stainless steel countertop and slide lid, heavy-duty galvanized interior.



### Options and Accessories

(upcharge and lead times may apply)

|                          |   |
|--------------------------|---|
| Stainless steel interior | Automatic, electric condensate evaporator |
| Add'l wire bin dividers  | Casters                                   |
| Lid lock                 | Adjustable legs                           |
| Expansion valve system   |   |

Consult factory for other model configurations, options and accessories.

Project Name:

Model Specified:

Location:

Item No:

Quantity:

AIA #:

SIS #:

### Standard Model Features

#### REFRIGERATION SYSTEM

Environmentally-safe R-134a refrigerant

Performance-rated refrigeration system

Automatic, energy-saving, non electric condensate evaporator

Full length, extra large coil

Easily accessible and serviceable slide-out condensing unit

#### CABINET ARCHITECTURE

High density, non-CFC polyurethane foamed-in-place insulation

Heavy-duty, epoxy-coated, adjustable steel wire storage bin dividers

Front, rear and side venting louvers

#### MODEL FEATURES

Heavy-duty cap opener w/extra capacity, removable cap catcher

Easily accessible, front-mounted cleanout drainage hose

Electronic controller w/digital display

**Continental**  
Refrigerator

Toll-Free: 800-523-7138  
Phone: 215-244-1400  
Fax: 215-244-9579

539 Dunksferry Road  
Bensalem, PA 19020  
www.continentalrefrigerator.com

APPROVAL:

## Model Specifications

### DIMENSIONAL DATA

|   |                 |
|---|-----------------|
| Net Capacity (cu. ft.)                                | 10.3 (292 cu l) |
| 12 oz. Bottle Capacity (# cases)                      | 12              |
| 12 oz. Can Capacity (# cases)                         | 18 1/2          |
| Width, Overall (in.)                                  | 37 (940 mm)     |
| Depth, Overall (in.)<br>(incl. bumpers & cap catcher) | 29 1/8 (740 mm) |
| Height, Overall (in.)                                 | 33 1/2 (851 mm) |
| No. of Slide Lids                                     | 1               |
| No. of Bin Dividers                                   | 2               |

### REFRIGERANT DATA

|                             |      |
|-----------------------------|------|
| Condensing Unit Size (H.P.) | 1/5  |
| Capacity (BTU/Hr)*          | 1800 |

### ELECTRICAL DATA

|                                     |                     |
|-------------------------------------|---------------------|
| Voltage (int'l)                     | 115/60/1 (220/50/1) |
| Feed Wires (incl. ground)           | 3                   |
| Total Amps (int'l)                  | 4.9 (2.3)           |
| Defrost Amps (int'l)                | 4.4 (2.2)           |
| 10 ft. Cord/Plug [attached] (int'l) | Yes (No)            |

### SHIPPING DATA

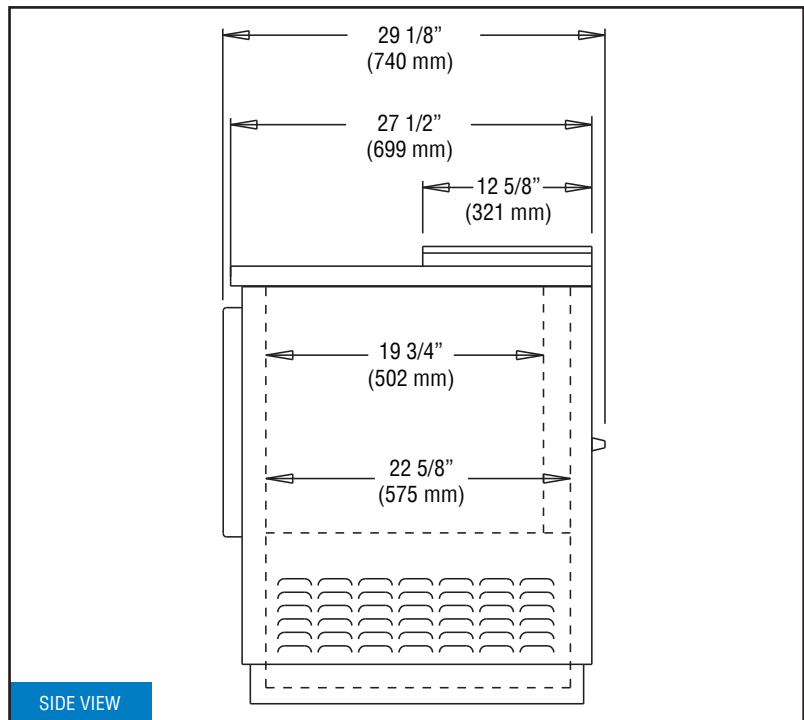
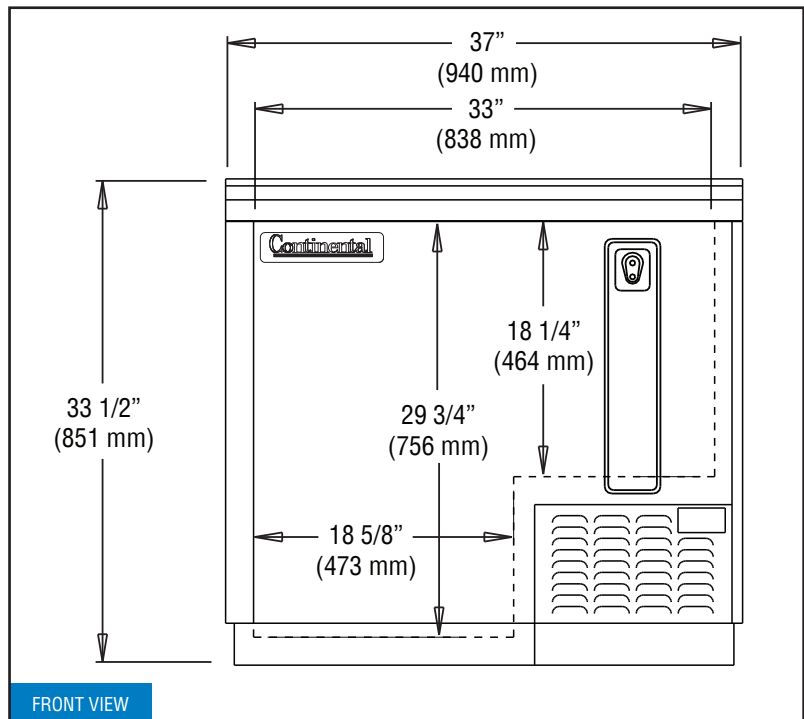
|                       |                 |
|-----------------------|-----------------|
| Weight - (lbs.)       | 265 (120 kg)    |
| Height - Crated (in.) | 39 (991 mm)     |
| Width - Crated (in.)  | 46 (1168 mm)    |
| Depth - Crated (in.)  | 30 1/4 (768 mm) |

\* Rating @ +20°F evaporator, 90°F ambient  
 Figures in parentheses reflect metric equivalents rounded to the nearest whole unit.



Equipped with one NEMA-5-15P Plug  
 (varies by country)

## Model Plan Views



**IMPORTANT NOTE:** A minimum clearance of 3" is required on each side, front and rear of cabinet for optimum performance.

**Continental**  
 Refrigerator

Toll-Free: 800-523-7138  
 Phone: 215-244-1400  
 Fax: 215-244-9579

539 Dunksferry Road  
 Bensalem, PA 19020  
[www.continentalrefrigerator.com](http://www.continentalrefrigerator.com)

Due to our continued efforts in developing innovative products, specifications subject to change without notice.



Intertek



MADE IN THE U.S.A.

© Copyright 2019, Continental Refrigerator.  
 A Division of National Refrigeration & Air Conditioning Products, Inc.