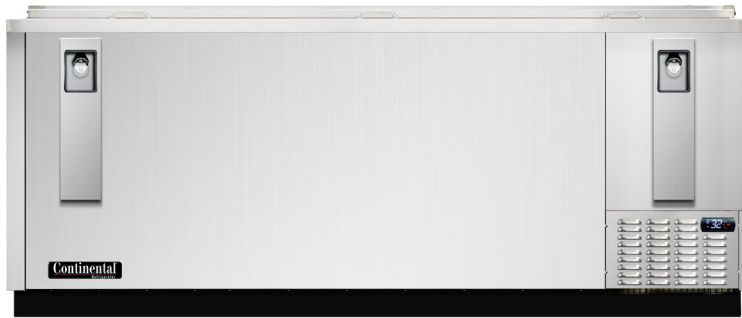


# BOTTLE COOLER (32°F)

**Model: CBC95-SS-DC**

## 95" Deep Chill Bottle Cooler

Stainless steel exterior with all stainless steel countertop and slide lids, heavy-duty galvanized interior.



### Options and Accessories

(upcharge and lead times may apply)

Stainless steel interior	Automatic, electric condensate evaporator
Add'l wire bin dividers	Casters
Lid locks	Adjustable legs
Expansion valve system	

Consult factory for other model configurations, options and accessories.

Project Name:

Model Specified:

Location:

Item No:

Quantity:

AIA #:

SIS #:

### Standard Model Features

#### REFRIGERATION SYSTEM

Environmentally-safe R-134a refrigerant

Performance-rated refrigeration system

Automatic, energy-saving, non electric condensate evaporator

Full length, extra large coil

Easily accessible and serviceable slide-out condensing unit

#### CABINET ARCHITECTURE

High density, non-CFC polyurethane foamed-in-place insulation

Heavy-duty, epoxy-coated, adjustable steel wire storage bin dividers

Front, rear and side venting louvers

#### MODEL FEATURES

(2) Heavy-duty cap openers w/extra capacity, removable cap catcher

Easily accessible, front-mounted cleanout drainage hose

Electronic controller w/digital display

**Continental**  
Refrigerator

Toll-Free: 800-523-7138  
Phone: 215-244-1400  
Fax: 215-244-9579

539 Dunksferry Road  
Bensalem, PA 19020  
[www.continentalrefrigerator.com](http://www.continentalrefrigerator.com)

APPROVAL:

## Model Specifications

### DIMENSIONAL DATA

Net Capacity (cu. ft.)	32 (906 cu l)
12 oz. Bottle Capacity (# cases)	40
12 oz. Can Capacity (# cases)	59
Width, Overall (in.)	95 (2413 mm)
Depth, Overall (in.) (incl. bumpers & cap catcher)	29 1/8 (740 mm)
Height, Overall (in.)	33 1/2 (851 mm)
No. of Slide Lids	3
No. of Bin Dividers	8

### REFRIGERANT DATA

Condensing Unit Size (H.P.)	1/2
Capacity (BTU/Hr)*	3100

### ELECTRICAL DATA

Voltage (int'l)	115/60/1 (220/50/1)
Feed Wires (incl. ground)	3
Total Amps (int'l)	10.7 (7.5)
Defrost Amps (int'l)	6.1 (3.2)
10 ft. Cord/Plug [attached] (int'l)	Yes (No)

### SHIPPING DATA

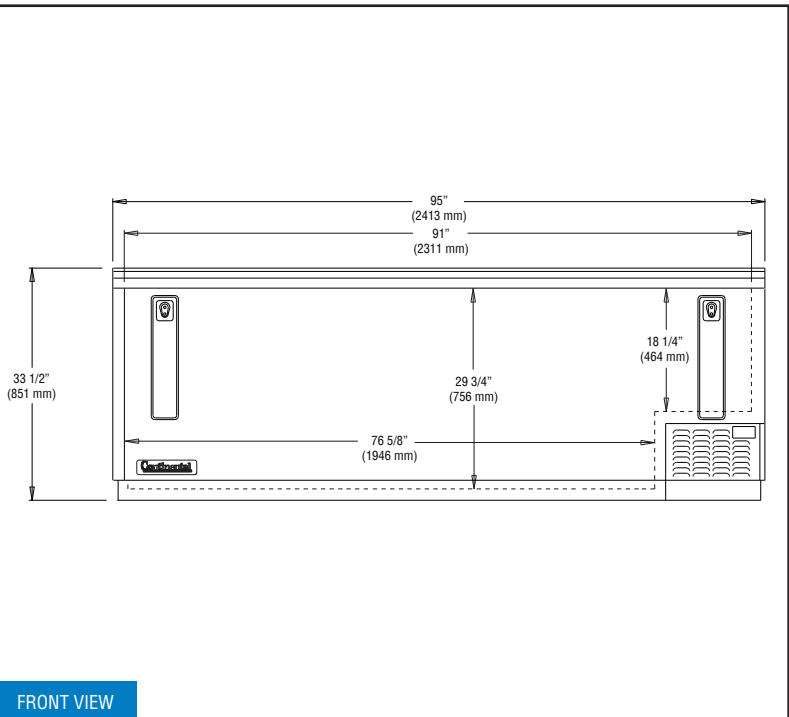
Weight - (lbs.)	541 (245 kg)
Height - Crated (in.)	39 (991 mm)
Width - Crated (in.)	102 3/4 (2610 mm)
Depth - Crated (in.)	30 1/4 (768 mm)

\* Rating @ +20°F evaporator, 90°F ambient  
 Figures in parentheses reflect metric equivalents rounded to the nearest whole unit.

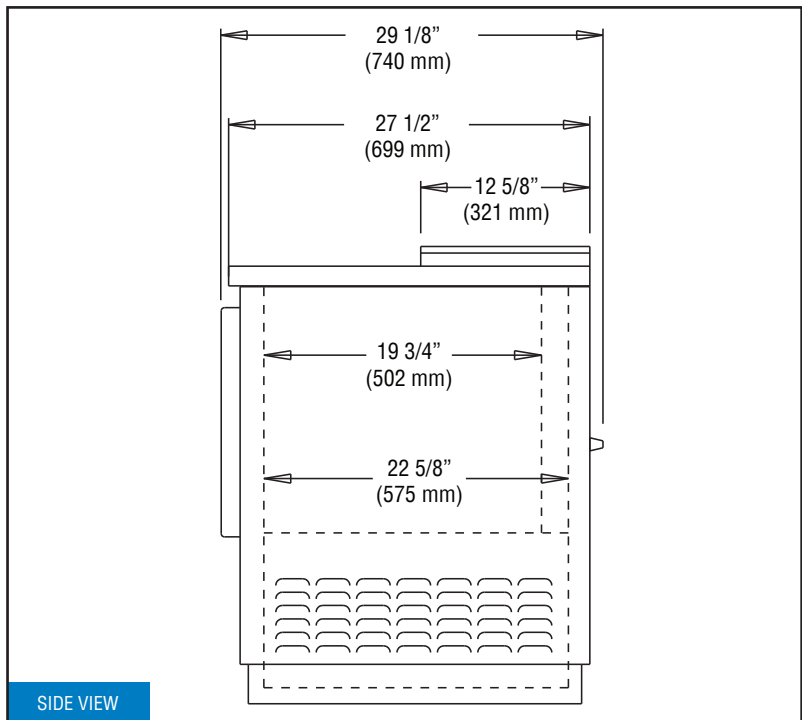


Equipped with one NEMA-5-15P Plug  
 (varies by country)

## Model Plan Views



FRONT VIEW



SIDE VIEW

**IMPORTANT NOTE:** A minimum clearance of 3" is required on each side, front and rear of cabinet for optimum performance.

**Continental**  
 Refrigerator

Toll-Free: 800-523-7138  
 Phone: 215-244-1400  
 Fax: 215-244-9579

539 Dunkserry Road  
 Bensalem, PA 19020  
[www.continentalrefrigerator.com](http://www.continentalrefrigerator.com)

Due to our continued efforts in developing innovative products, specifications subject to change without notice.



Intertek



MADE IN THE U.S.A.

© Copyright 2019, Continental Refrigerator.  
 A Division of National Refrigeration & Air Conditioning Products, Inc.