

DESIGNER LINE REFRIGERATOR

Model: D1RN

Natural Refrigerant R-290 Model

Designer Line

1-Section Reach-In Refrigerator



ENERGY STAR® Qualified Commercial Refrigerator

D1RN - Stainless steel front, aluminum end panels and interior

D1RNSA - Stainless steel exterior, aluminum interior

D1RNSS - Stainless steel exterior and interior



Options and Accessories

(upcharge and lead times may apply)

| | |
|-----------------------------------|---|
| Stainless steel case back | Shallow depth |
| Add'l epoxy-coated steel shelves | Hinged glass door |
| Chrome or stainless steel shelves | Special electrical req. (consult factory) |
| Pan slide assemblies | Correctional Facility Options |
| Wine rack | • One way security screws |
| Casters | • Locking hasp (lock not included) |
| Custom laminates | • Stainless steel mesh cover |
| Half doors | • Coverless hinges |

Consult factory for other model configurations, options and accessories.

Project Name:

Model Specified:

Location:

Item No:

Quantity:

AIA #:

SIS #:

Standard Model Features

REFRIGERATION SYSTEM

Self contained, performance-rated "plug" refrigeration system

Natural, environmentally-safe, high-efficiency R-290 refrigerant¹

Refrigeration system is readily accessible on top of cabinet, separate from the "food zone"

Automatic, hot gas condensate evaporator

Expansion valve system

CABINET ARCHITECTURE

3" non-CFC polyurethane foam insulation

Smooth, polished chrome workflow door handle

Cam action, lift off hinges

Self-closing door

Magnetic snap-in door gasket

Cylinder lock in door

Heavy-duty, epoxy-coated steel shelves

Adjustable 6" stainless steel legs

MODEL FEATURES

LED interior lighting

Electronic controller w/digital display & hi-low alarm

Top and side air distribution ducts

Cabinet upper side panels and refrigeration "plug" system can be removed and reinstalled at job site

Rehinging of door (in the field)

¹ R-290 refrigerant meets all federal and state regulatory requirements.

Continental
Refrigerator

Toll-Free: 800-523-7138
Phone: 215-244-1400
Fax: 215-244-9579

539 Dunksferry Road
Bensalem, PA 19020
www.continentalrefrigerator.com

APPROVAL:

Model Specifications

DIMENSIONAL DATA

| | |
|---------------------------------------|------------------|
| Net Capacity (cu. ft.) | 21 (595 cu l) |
| Width, Overall (in.) | 26 (660 mm) |
| Depth, Overall (in.) (incl. handle) | 35 3/8 (899 mm) |
| Depth (in.) (less door) | 32 (813 mm) |
| Depth (in.) (door open 90°) | 55 1/2 (1410 mm) |
| Clear Door Width (in.) | 19 3/8 (492 mm) |
| Clear Door Height (in.) | 58 5/8 (1489 mm) |
| Height, Overall (in.) (incl. 6" legs) | 83 1/4 (2115 mm) |
| No. of Doors | 1 |
| No. of Shelves | 3 |
| Shelf Area (sq. ft.) | 20.4 (1.9 sq m) |
| Tray Slide Capacity | 24 |

REFRIGERANT DATA

| | |
|-----------------------------|------|
| Condensing Unit Size (H.P.) | 1/4+ |
| Capacity (BTU/Hr)* | 1940 |

ELECTRICAL DATA

| | |
|-------------------------------------|---------------------|
| Voltage (int'l) | 115/60/1 (220/50/1) |
| Feed Wires (incl. ground) | 3 |
| Total Amps (int'l) | 5.2 (3.5) |
| 10 ft. Cord/Plug [attached] (int'l) | Yes (No) |

SHIPPING DATA

| | |
|----------------------------|------------------|
| Height - Crated (in.) | 85 1/2 (2172 mm) |
| Width - Crated (in.) | 31 5/8 (803 mm) |
| Depth - Crated (in.) | 42 (1067 mm) |
| Volume - Crated (cu. ft.) | 65 (1841 cu l) |
| Weight Std - Crated (lbs.) | 294 (133 kg) |
| Weight SS - Crated (lbs.) | 310 (141 kg) |

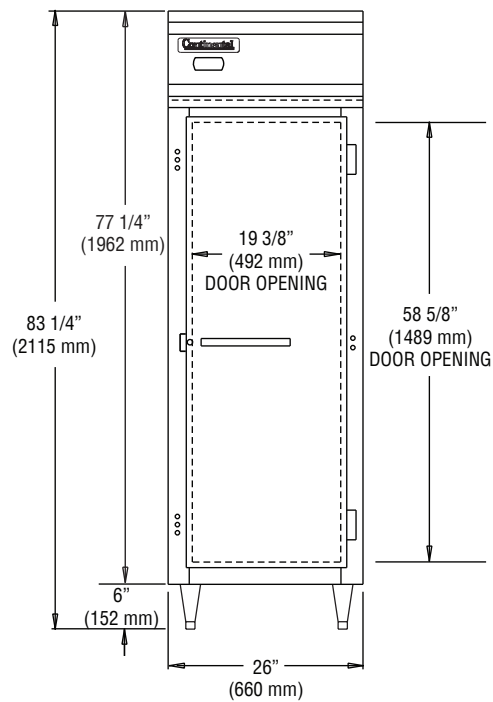
* Rating @ +25°F evaporator, 90°F ambient

Figures in parentheses reflect metric equivalents rounded to the nearest whole unit.

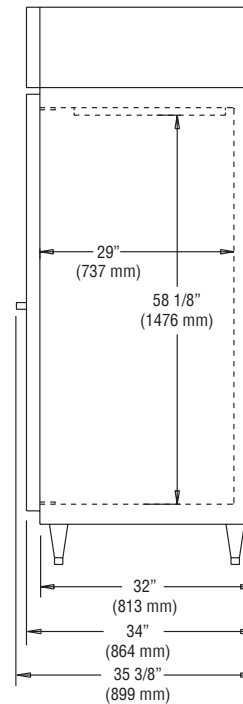


Equipped with one NEMA-5-15P Plug
(varies by country)

Model Plan Views



FRONT VIEW



SIDE VIEW

IMPORTANT NOTE: If the cabinet is located directly against a wall and/or under a low ceiling, a minimum clearance of 12" is required on top and 3" on sides and rear.

Continental
Refrigerator

Toll-Free: 800-523-7138
Phone: 215-244-1400
Fax: 215-244-9579

539 Dunkserry Road
Bensalem, PA 19020
www.continentalrefrigerator.com

Due to our continued efforts in developing innovative products, specifications subject to change without notice.



Intertek



MADE IN THE U.S.A.

© Copyright 2019, Continental Refrigerator.
A Division of National Refrigeration & Air Conditioning Products, Inc.