



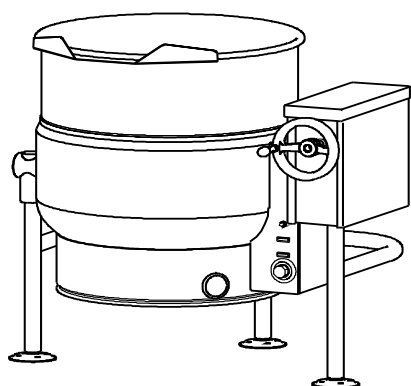
**IMPORTANT FOR FUTURE REFERENCE**  
 Please complete this information and retain this manual for the life of the equipment:

Model #: \_\_\_\_\_  
 Serial #: \_\_\_\_\_  
 Date Purchased: \_\_\_\_\_

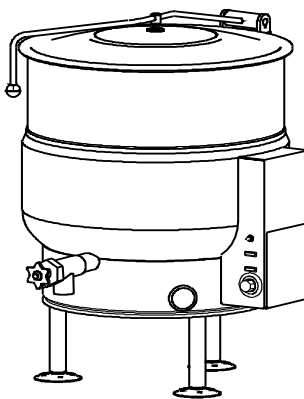
# PARTS LIST

## Self ; enerating Steam ? ettles

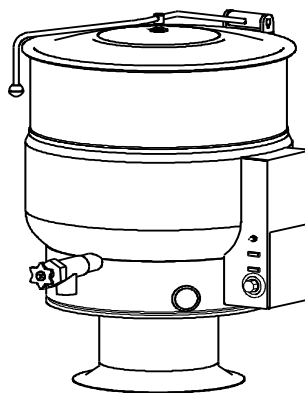
### 9 @ H ' ' 9 @ ' ' 9 D



ELT



EL



EP



**WARNING**

Improper installation, adjustment, alteration, service or maintenance can cause property damage, injury or death. Read the installation, operating and maintenance instructions thoroughly before installing or servicing this equipment.

**CROWN FOOD SERVICE EQUIPMENT**

 A Middleby Company

70 Oakdale Road, Downsview (Toronto) Ontario, Canada, M3N 1V9

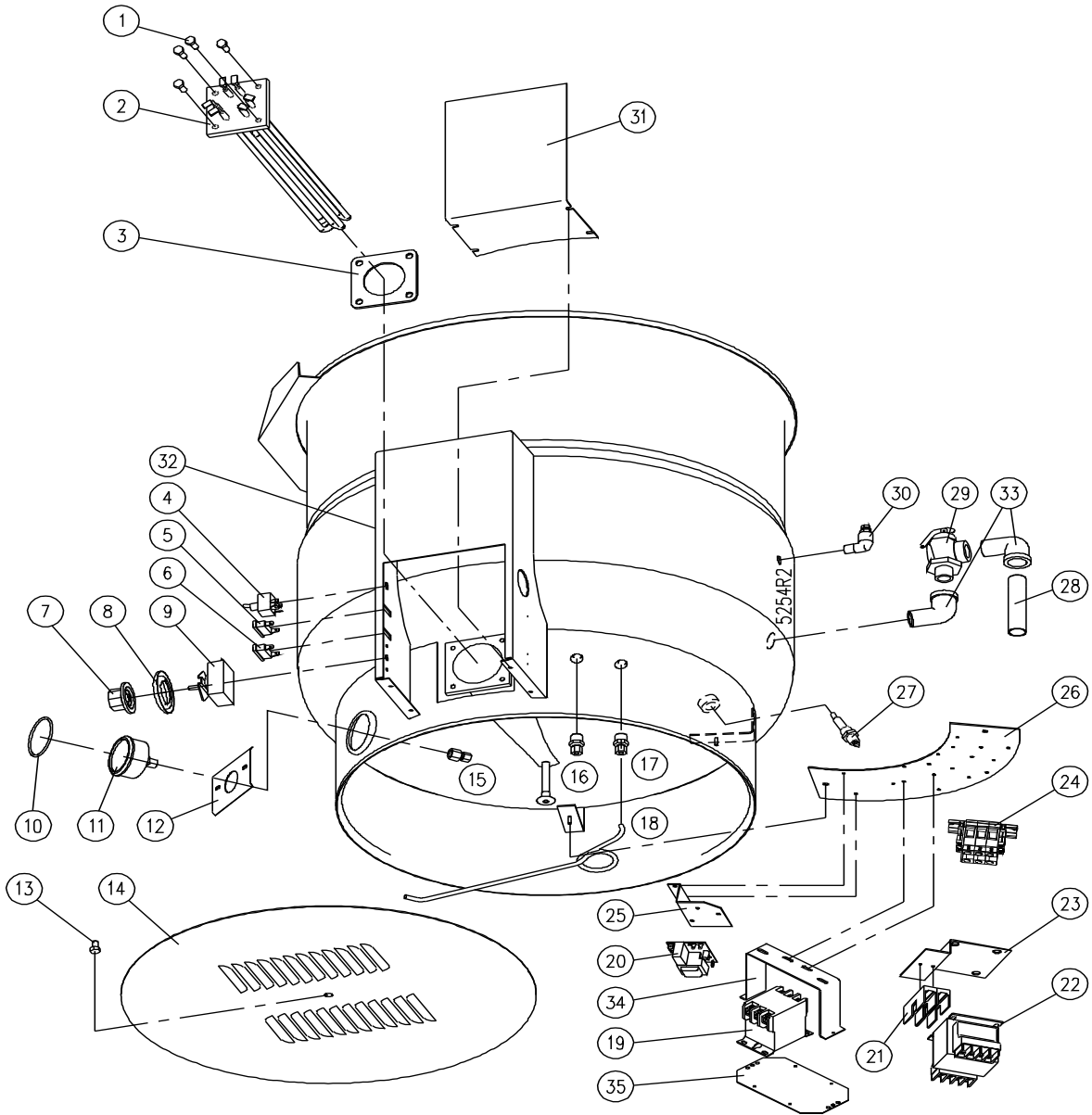
Telephone: 919-762-1000      www.crownsteamgroup.com

Printed in Canada



PARTS LIST, SELF-GENERATING STEAM KETTLES, MODELS: ELT, EL, EP

**FIGURE 1**



PARTS LIST, SELF-GENERATING STEAM KETTLES, MODELS: ELT, EL, EP

**FIGURE 1**

<u>ITEM</u>	<u>PART NO.</u>	<u>DESCRIPTION</u>	<u>QUANTITY</u>					
			<u>20</u>	<u>30</u>	<u>40</u>	<u>60</u>	<u>80</u>	<u>100</u>
1	M50S-51618-34	Hex Head Screw, 5/16 -18 UNC x 3/4 Lg.	4	4	4	4	4	4
** 2	7-5019	Heating Element, 208V, 12 kW	1					
	7-5020	Heating Element, 220/380V, 12 kW	1					
	7-5021	Heating Element, 240/415V, 12 kW	1					
	7-5022	Heating Element, 480V, 12 kW	1					
	9-3298-1	Heating Element, 600V, 12 kW	1					
	7-5023	Heating Element, 208V, 15 kW		1				
	7-5024	Heating Element, 220/380V, 15 kW		1				
	7-5025	Heating Element, 240/415V, 15 kW		1				
	7-5026	Heating Element, 480V, 15 kW		1				
	9-3298-2	Heating Element, 600V, 15 kW		1				
	7-5027	Heating Element, 208V, 18 kW			1	1	1	
	7-5028	Heating Element, 380/220V, 18 kW			1	1	1	
	7-5029	Heating Element, 415/240V, 18 kW			1	1	1	
	7-5030	Heating Element, 480V, 18 kW			1	1	1	

PARTS LIST, SELF-GENERATING STEAM KETTLES, MODELS: ELT, EL, EP

<u>ITEM</u>	<u>PART NO.</u>	<u>DESCRIPTION</u>	<u>QUANTITY</u>					
			<u>20</u>	<u>30</u>	<u>40</u>	<u>60</u>	<u>80</u>	<u>100</u>
** 2	9-3298	Heating Element, 600V, 18 kW			1	1	1	
	7-5031	Heating Element, 208V, 24 kW			1	1	1	1
	7-5037	Heating Element, 220/380V, 24 kW			1	1	1	1
	7-5032	Heating Element, 240/415V, 24 kW			1	1	1	1
	7-5033	Heating Element, 480V, 24 kW			1	1	1	1
	9-3299	Heating Element, 600V, 24 kW			1	1	1	1
	7-5034	Heating Element, 208V, 33 kW				1	1	1
	7-5038	Heating Element, 220/380V, 33 kW				1	1	1
	7-5035	Heating Element, 240/415V, 33 kW				1	1	1
	7-5036	Heating Element, 480V, 33 kW				1	1	1
	2348-2	Heating Element, 600V, 33 kW				1	1	1
3	5986-1	Element Gasket	1	1	1	1	1	1
4	9110-1	Toggle Switch, DPST, 250 Vac, 6A	1	1	1	1	1	1
5	4996-5	Pilot Light - Amber, 250V, Low Water	1	1	1	1	1	1
6	4996-5	Pilot Light - Amber, 250V, Temperature	1	1	1	1	1	1
** 7	6311-1	Knob Assembly (1-10)	1	1	1	1	1	1
	5975-2	Knob Assembly (°F)	1	1	1	1	1	1

PARTS LIST, SELF-GENERATING STEAM KETTLES, MODELS: ELT, EL, EP

<u>ITEM</u>	<u>PART NO.</u>	<u>DESCRIPTION</u>	<u>QUANTITY</u>					
			<u>20</u>	<u>30</u>	<u>40</u>	<u>60</u>	<u>80</u>	<u>100</u>
	5976-2	Knob Assembly (°C)	1	1	1	1	1	1
8.	4-TB05	Bezel	1	1	1	1	1	1
9.	9126-1	Temperature Controller	1	1	1	1	1	1
10	2-230R	"O" Ring, 2 ¾ OD x 2-1/2 ID x 1/8 Thick.	1	1	1	1	1	1
11	4967-1	Pressure Gauge	1	1	1	1	1	1
12	3407-1	Pressure Gauge Mounting Plate	1	1	1	1	1	1
13	M50S-51618-58	Hex HD Screw, 5/16 - 18 UNC x 5/8 Lg.	1	1	1	1	1	1
** 14	8-2077	Bottom Cover, (3041-7), ELT-20	1					
	8-2078	Bottom Cover, (3041-8), ELT-30		1				
	8-2079	Bottom Cover, (3041-9), ELT-40			1			
	8-2080	Bottom Cover, (3041-10), ELT-60				1		
	8-2081	Bottom Cover, (3041-11), ELT-80					1	
	8-2082	Bottom Cover, (3041-12), ELT-100						1
	8-2077-1	Bottom Cover, (3041-1), EL-20	1					
	8-2078-1	Bottom Cover, (3041-2), EL-30		1				
	8-2079-1	Bottom Cover, (3041-3), EL-40			1			
	8-2080-1	Bottom Cover, (3041-4), EL-60				1		

PARTS LIST, SELF-GENERATING STEAM KETTLES, MODELS: ELT, EL, EP

<u>ITEM</u>	<u>PART NO.</u>	<u>DESCRIPTION</u>	<u>QUANTITY</u>					
			<u>20</u>	<u>30</u>	<u>40</u>	<u>60</u>	<u>80</u>	<u>100</u>
	8-2081-1	Bottom Cover, (3041-5), EL-80					1	
	8-2082-2	Bottom Cover, (3041-6), EL-100						1
	7139-1	Bottom Cover, EP-20	1					
	7139-2	Bottom Cover, EP-30		1				
	7139-3	Bottom Cover, EP-40			1			
	7139-4	Bottom Cover, EP-60				1		
	7139-5	Bottom Cover, EP-80					1	
	7139-6	Bottom Cover, EP-100						1
15	3-664B	Connector, Brass, 1/4 C x 1/4 FPT	1	1	1	1	1	1
16	2-686C	Connector, Brass, 3/8 C x 3/8 MPT, Thermostat Probe Fitting	1	1	1	1	1	1
17	3-684C	Connector, Brass, 1/4 C x 3/8 MPT, (Pressure Gauge Kettle Fitting)	1	1	1	1	1	1
18	5514-1	Copper Tube, 1/4 x 26", 20 Gallon	1					
	5514-2	Copper Tube, 1/4 x 28", 30, 40 Gallon		1	1			
	5514-3	Copper Tube, 1/4 x 29", 60 Gallon				1		
	5514-4	Copper Tube, 1/4 x 33", 80 Gallon					1	
18	5514-5	Copper Tube, 1/4 x 35", 100 Gallon						1
** 19	9348-208	Contact, 3 Pole, 50A, (208, 220, 240V) - 12, 15, 18, 24 kW	2	2	2	2	2	2

PARTS LIST, SELF-GENERATING STEAM KETTLES, MODELS: ELT, EL, EP

<u>ITEM</u>	<u>PART NO.</u>	<u>DESCRIPTION</u>	<u>QUANTITY</u>					
			<u>20</u>	<u>30</u>	<u>40</u>	<u>60</u>	<u>80</u>	<u>100</u>
	9348-208	Contactora, 3 Pole, 50A, (380, 415, 480, 600V), 12, 15, 18, 24 kW.	1	1	1	1	1	1
	9349-208	Contactora, 3 Pole, 75A, (208, 220, 240V), 33 kW				2	2	2
	9349-208	Contactora, 3 Pole, 75A, (480, 600V), 33 kW				1	1	1
20	3974-2	Level Control, Direct Acting, 100K OHM	1	1	1	1	1	1
** 21	9002-1	Fuse Holder, 600V, 30A, (380V - 600V)	2	2	2	2	2	2
	9001-2	Fuse, 1/2 Amp., 600V (380V-600V)	2	2	2	2	2	2
	9092-3	Glass Fuse, 250V, 3A (208-240V)	2	2	2	2	2	2
	9068-1	Fuse Holder, 300V, (208-240V), 25A	2	2	2	2	2	2
	9092-3	Glass Fuse, 250V, 3A, (220/380V and 240/415V)	1	1	1	1	1	1
	9068-1	Fuse Holder, 300V Max., 25A, (220/380V and 240/415V)	1	1	1	1	1	1
** 22	4-T251	Transformer, 380-220V, 50/60 Hz, 100VA	1	1	1	1	1	1
	4-T251	Transformer, 415-220V, 50/60 Hz, 100VA	1	1	1	1	1	1
	4-T255	Transformer, 480-240V, 50/60 Hz, 100VA	1	1	1	1	1	1
	4-T260	Transformer, 600-240V, 60 Hz, 100VA	1	1	1	1	1	1
23	5164-1	Transformer and Fuse Bracket	1	1	1	1	1	1

PARTS LIST, SELF-GENERATING STEAM KETTLES, MODELS: ELT, EL, EP

<u>ITEM</u>	<u>PART NO.</u>	<u>DESCRIPTION</u>	<u>QUANTITY</u>					
			<u>20</u>	<u>30</u>	<u>40</u>	<u>60</u>	<u>80</u>	<u>100</u>
** 24	6161-3	Modular Terminal Assy, 3 Pole, (208-600V), Including following parts:	1	1	1	1	1	1
	9374-1	Modular Terminal, Grey	3	3	3	3	3	3
	9375-1	End Plate	1	1	1	1	1	1
	9369-1	End Clamp	2	2	2	2	2	2
	9368-079	Mounting Rail, 79 mm	1	1	1	1	1	1
	6161-4N	Modular Terminal Assy, 4 Pole, (380/220V - 415/240V)  Includes Following Parts:	1	1	1	1	1	1
	9374-1	Modular Terminal, Grey	3	3	3	3	3	3
	9374-2	Modular Terminal, Blue	1	1	1	1	1	1
	9375-1	End Plate	1	1	1	1	1	1
	9369-1	End Clamp	2	2	2	2	2	2
	9368-098	Mounting Rail, 98 mm	1	1	1	1	1	1
25	5885-1	Level Control Bracket	1	1	1	1	1	1
** 26	8-2070	Component Mounting Panel (2781), 20 Gallon	1					
	8-2071	Component Mounting Panel (2783), 30 Gallon		1				
	8-2072	Component Mounting Panel (2782), 40 Gallon			1			
	8-2073	Component Mounting Panel (2784), 60 Gallon				1		
** 26	8-2074	Component Mounting Plate (2785), 80, 100 Gallon					1	1
27	4-LLP1	Probe, 2-1/16 Long	1	1	1	1	1	1
28	5184-1	Extension, Relief Valve	1	1	1	1	1	1



PARTS LIST, SELF-GENERATING STEAM KETTLES, MODELS: ELT, EL, EP

<u>ITEM</u>	<u>PART NO.</u>	<u>DESCRIPTION</u>	<u>QUANTITY</u>					
			<u>20</u>	<u>30</u>	<u>40</u>	<u>60</u>	<u>80</u>	<u>100</u>
29	3-SRV9-1	Safety Relief Valve, 50 psi	1	1	1	1	1	1
30	3-AV01	Air Vent Assembly	1	1	1	1	1	1
** 31	6880-1	Control Housing Cover, 20 Gallon	1					
	6880-2	Control Housing Cover, 30 Gallon		1				
	6880-3	Control Housing Cover, 40 Gallon			1			
	6880-4	Control Housing Cover, 60 Gallon				1		
	6880-5	Control Housing Cover, 80 Gallon					1	
	6880-6	Control Housing Cover, 100 Gallon						1
** 32	6593-3	Control Panel Decal	1					
	6561-3	Control Panel Decal		1				
	6561-4	Control Panel Decal			1			
	6561-5	Control Panel Decal				1		
	6561-6	Control Panel Decal					1	
	6561-7	Control Panel Decal						1
33	9012-4P	Street Elbow 90°, Black Iron, 150 #, 3/4" NPT	2	2	2	2	2	2
34	8234-1	Adapter Plate Bracket	1	1	1	1	1	1
35	6042-1	Adapter Plate	1	1	1	1	1	1

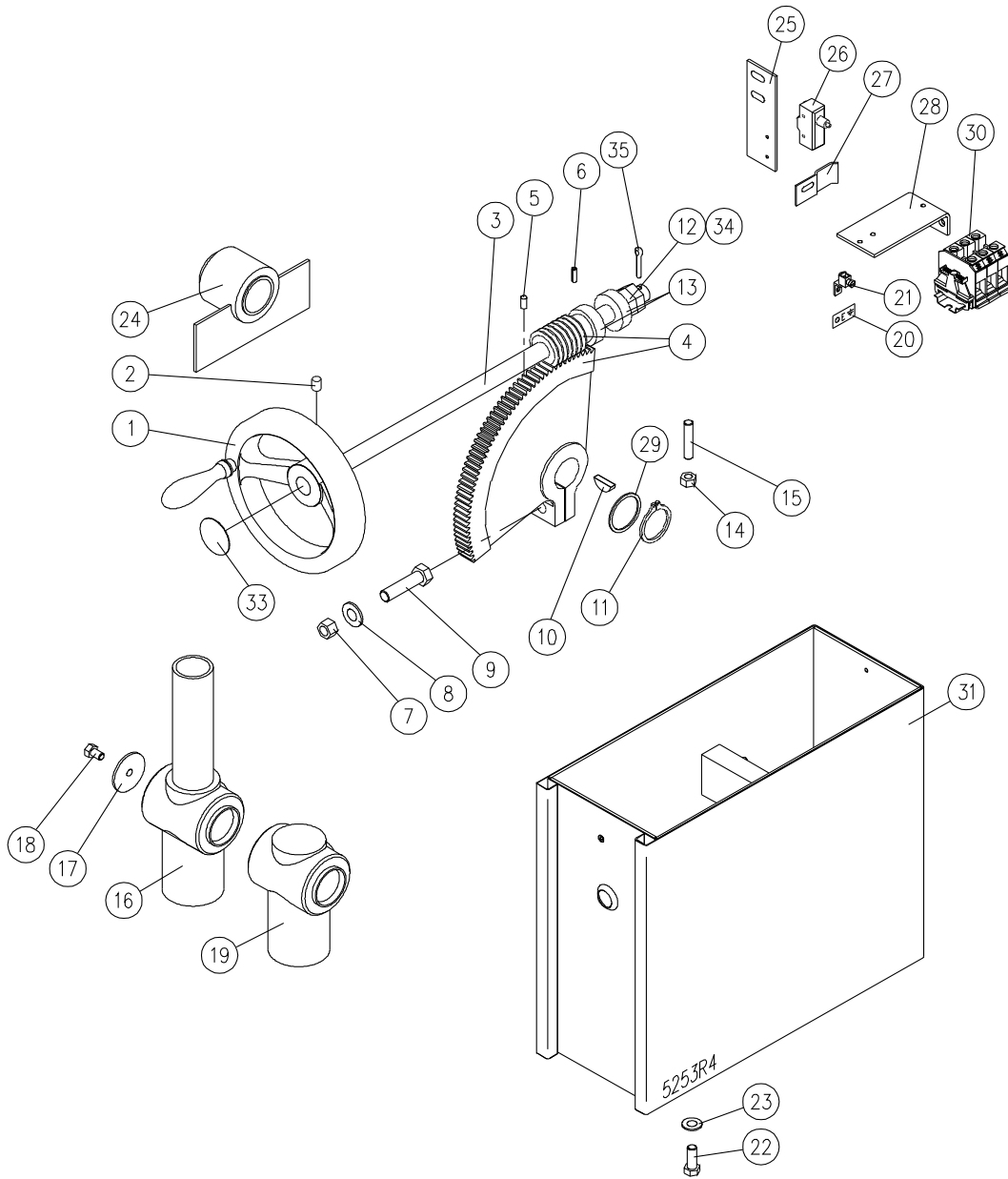
\* NOT SHOWN.

\*\* SELECT AS REQUIRED.

PARTS LIST, SELF-GENERATING STEAM KETTLES, MODELS: ELT, EL, EP

**TILT CONSOLE PARTS - ELT**

**FIGURE 2**



PARTS LIST, SELF-GENERATING STEAM KETTLES, MODELS: ELT, EL, EP

**FIGURE 2**

<u>ITEM</u>	<u>PART NUMBER</u>	<u>DESCRIPTION</u>	<u>QUANTITY</u>
1.	8-2054	Hand Wheel	1
2.	1-72U4	Set Screw 3/8 -16 x 1/2"	1
3.	6738-2	Tilt Shaft	1
4.	5393-1	Segment Gear & Worm Gear Kit (Includes Items 5 to 11)	
5.	1-52U4	Set Screw, 1/4 - 20 x 1/2	1
6.	2-T6U5	Tension Pin, 3/16 Diameter x 1-1/4" L	1
7.	1-99C0	Nut, 1/2 - 13	1
8.	1-W4C0	Lock Washer, 1/2"	1
9.	2-96C8	Bolt, 1/2 - 13 x 2"	1
10.	1-K8U8	Key Woodruff	1
11.	1-R315	Retaining Ring	1
12.	2-HN66	Jam Nut	2
13.	5327-1	Thrust Bearing	2
14.	1-79C0	Nut, 3/8 - 16	1
15.	2-72U7	Set Screw, 3/8 - 16 x 1-3/4"	1
16.	8-2085EE	Outbore Bearing complete with extension - used on spring assist covers only - specify model.	1
17.	9-3197	Stainless Steel Washer	1
18.	9-3198	Bolt	1
19.	8-2085E	Outbore Bearing	1
20.	4188-1	Ground ID Tag	1
21.	4-70EU	Ground Lug	1
22.	1-75C8	Bolt, 3/8-16 x 1"	4
23.	1-70C0	Lock Washer, 3/8"	4

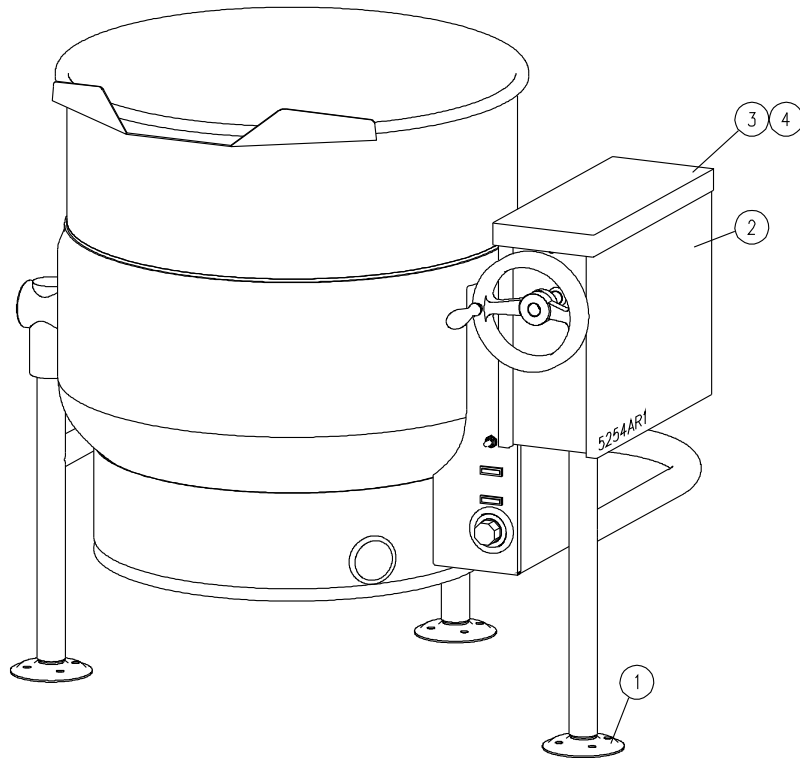
PARTS LIST, SELF-GENERATING STEAM KETTLES, MODELS: ELT, EL, EP

<u>ITEM</u>	<u>PART NUMBER</u>	<u>DESCRIPTION</u>	<u>QUANTITY</u>	
24.	8-2090	Block Bearing	1	
25.	4653-1	Micro Switch Bracket	1	
26.	4-M605	Micro Switch	1	
27.	4359-1	Micro Switch Activator Bracket	1	
28.	4214-1	Terminal Block Bracket	1	
29.	5259-1	Spacer, 1/16" Thick	As Required	
**	30.	6161-3	Modular Terminal Assembly, 3 Pole, (208 - 600V)	1
		Includes the following parts:		
	9374-1	Modular Terminal, Grey	3	
	9375-1	End Plate	1	
	9369-1	End Clamp	1	
	9368-079	Mounting Rail, 79 mm	1	
	6161-4N	Modular Terminal Assembly, 3 Pole with Neutral, (380/220V), 415/240V	1	
		Includes the following parts:		
	9374-1	Modular Terminal, Grey	3	
	9374-2	Modular Terminal, Blue	1	
	9375-1	End Plate	1	
	9369-1	End Clamp	2	
	9368-098	Mounting Rail, 98 mm	1	
	31.	2960-1	Console Assembly, ELT	1
*	32.	1-34S4	Screw, Console Cover, 10 - 32 x 1/2"	1
*	33.	5608-1	Decal - Tilt	1
	34.	5328-1	Washer, 3/4 ID x 1-1/4" OD	1
	35.	5329-1	Cotter Pin S.S. 3/16" x 1" L.	1

\* NOT SHOWN

PARTS LIST, SELF-GENERATING STEAM KETTLES, MODELS: ELT, EL, EP

**FIGURE 3**



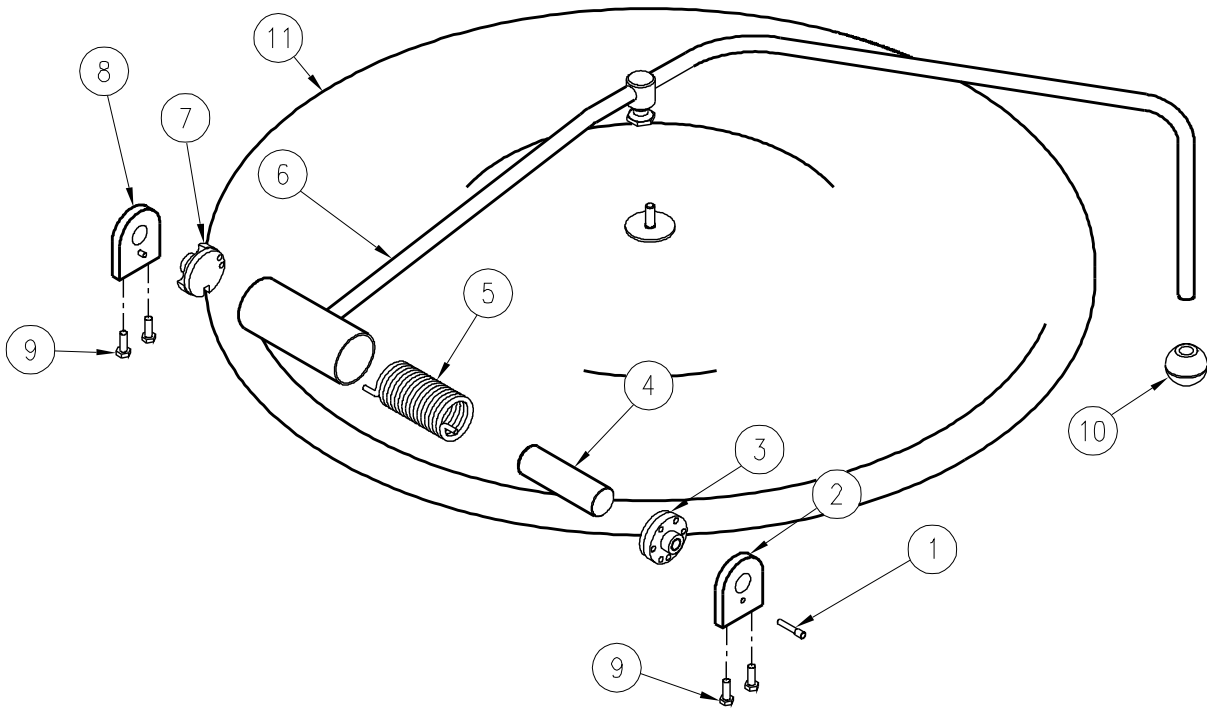
**PARTS LIST**

**FIGURE 3**

<b><u>ITEM</u></b>	<b><u>PART NUMBER</u></b>	<b><u>DESCRIPTION</u></b>	<b><u>QUANTITY</u></b>
1.	8-1308	Adjustable Flanged Foot	3
2.	2960-1	Console Box	1
3.	3534-1	Console Cover	1
4.	M33S-1032-12	Screw, 10 - 32 x 1/2"	1

**FIGURE 4**

**SPRING ASSIST HINGE ASSEMBLY**



4991BR4

PARTS LIST, SELF-GENERATING STEAM KETTLES, MODELS: ELT, EL, EP

**FIGURE 4**

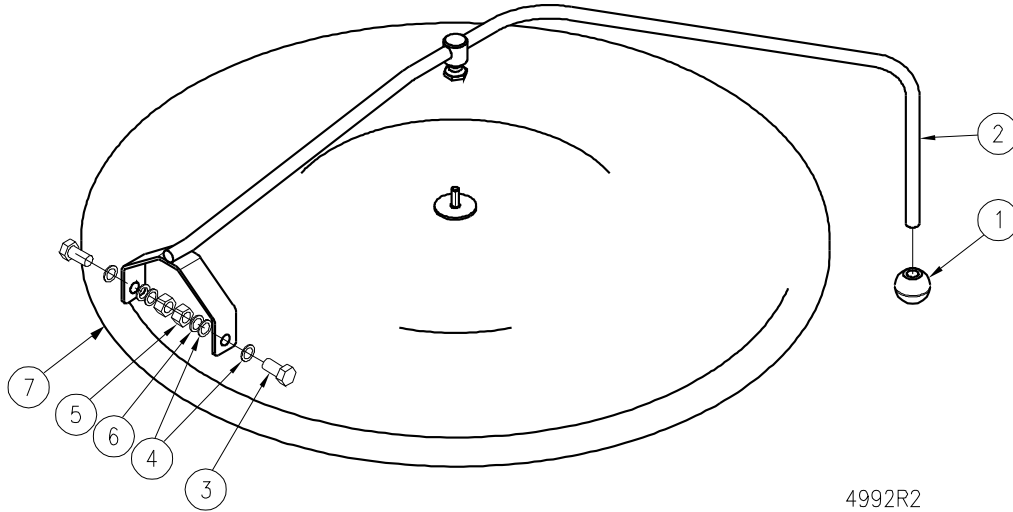
<u>ITEM</u>	<u>PART NO.</u>	<u>DESCRIPTION</u>	<u>QUANTITY</u>	
	9-3185	HINGE ASSEMBLY		
1.	8-2029	Lock Pin	1	
2.	8-2035L	End Lock Plate	1	
3.	5428-1	Stationary Disc	1	
4.	5430-1	Core	1	
5.	8-2026	Spring	1	
**	6.	8-2028	Handle Assembly, 20 Gallon Kettle	1
		8-2028-1	Handle Assembly, 30 Gallon Kettle	1
		8-2028-2	Handle Assembly, 40 Gallon Kettle	1
		8-2027	Handle Assembly, 60 Gallon Kettle	1
		8-2027-1	Handle Assembly, 80 Gallon Kettle	1
		8-2027-2	Handle Assembly, 100 Gallon Kettle	1
7.	5429-1	Rotary Disc	1	
8.	8-2021	End Stop Plate	1	
9.	1-56S6	Cap Screw, 1/4 - 20 x 3/4, Stainless Steel	4	
**	10.	2-KB01	Knob, Red	1
		9147-1	Knob, Black	1
**	11.	8-2003	Covers, 20 Gallon Kettle	1
		8-2004	Covers, 30 Gallon Kettle	1
		8-2005	Covers, 40 Gallon Kettle	1
		8-2006	Covers, 60 Gallon Kettle	1
		8-2007	Covers, 80 Gallon Kettle	1
		8-2008	Covers, 100 Gallon Kettle	1

\*\* SELECT AS REQUIRED.

PARTS LIST, SELF-GENERATING STEAM KETTLES, MODELS: ELT, EL, EP

**FIGURE 5**

**HINGE ASSEMBLY**



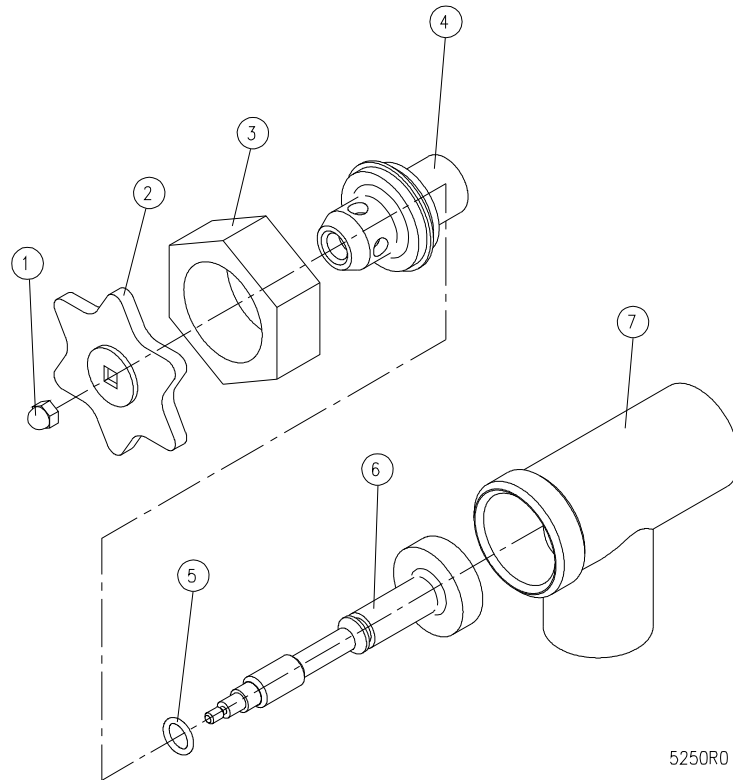
<u>ITEM</u>	<u>PART NO.</u>	<u>DESCRIPTION</u>	<u>QUANTITY</u>	
1	2-KB01	Knob	1	
**	2	9-3231	Handle Assembly, 20 Gallon Kettle	1
		9-3231-1	Handle Assembly, 30 Gallon Kettle	1
		9-3231-2	Handle Assembly, 40 Gallon Kettle	1
3	1-85S8	Bolt	2	
4	1-WV06	Fibre Washer	4	
5	1-89S0	Nut, 1/2-20 UNF, Stainless Steel	2	
6	S05N-12	Lock Washer, 1/2"	1	
7	8-2003	Cover, 20 Gallon Kettle	1	
	8-2004	Cover, 30 Gallon Kettle	1	
	8-2005	Cover, 40 Gallon Kettle	1	

\*\* SELECT AS REQUIRED.



PARTS LIST, SELF-GENERATING STEAM KETTLES, MODELS: ELT, EL, EP

**FIGURE 6**



**DRAW-OFF VALVE**

<b><u>ITEM</u></b>	<b><u>PART NO.</u></b>	<b><u>DESCRIPTION</u></b>	<b><u>QUANTITY</u></b>
	3-D015	1 - ½" DRAW-OFF VALVE ASSEMBLY	
1	9031-3	Acorn Nut 10-24 UNC	1
2	4115-1	Handle, Stainless Steel	1
3	3-DV13	Gland Nut	1
4	3-DV14	Bonnet	1
5	3-DV16	"O" Ring	1
6	3-DV15RV	Stem Assembly	1
7	3-DV17	Valve Body	1

PARTS LIST, SELF-GENERATING STEAM KETTLES, MODELS: ELT, EL, EP

<u>ITEM</u>	<u>PART NUMBER</u>	<u>DESCRIPTION</u>	<u>QUANTITY</u>
	3-D020	2" DRAW-OFF VALVE ASSEMBLY	
1	9031-3	Acorn Nut 10-24 UNC	1
2	4115-1	Handle, Stainless Steel	1
3	3-DV23	Gland Nut	1
4	3-DV24	Bonnet	1
5	3-DV26	"O" Ring	1
6	3-DV25RV	Stem Assembly	1
7	3-DV27	Valve Body	1

<u>ITEM</u>	<u>PART NUMBER</u>	<u>DESCRIPTION</u>	<u>QUANTITY</u>
	3-D030	3" DRAW-OFF VALVE ASSEMBLY	
1	3-DV31	Acorn Nut, 7/16-14 UNC	1
2	3-DV32	Handle, Stainless Steel	1
3	3-DV33	Gland Nut	1
4	3-DV34	Bonnet	1
5	3-DV36	"O" Ring	1
6	3-DV35RV	Stem Assembly	1
7	3-DV37	Valve Body	1

PARTS LIST, SELF-GENERATING STEAM KETTLES, MODELS: ELT, EL, EP

**SPRING ASSIST COVER ASSEMBLY FOR FIELD INSTALLATION ON ELT MODELS**

<b><u>PART NUMBER</u></b>	<b><u>MODEL</u></b>
4225-1	ELT-20
4225-2	ELT-30
4225-3	ELT-40
4225-4	ELT-60
4225-5	ELT-80
4225-6	ELT-100