



FULL JACKET ELECTRIC STEAM PEDESTAL KETTLE



MODEL	kW	CAPACITY	
EP-20F	18	20 Gallon	76 Liter
EP-30F	18	30 Gallon	114 Liter
EP-40F	18	40 Gallon	152 Liter
EP-60F	24	60 Gallon	227 Liter

OPERATION SHALL BE BY:

Electrically, self-generating closed steam system equipped for operation on:

- 208 VAC, 1 phase, 50/60 Hz. (12 to 18 kW only)
- 208 VAC, 3 phase, 50/60 Hz.
- 220 VAC, 1 phase, 50/60 Hz. (12 to 18 kW only)
- 220 VAC, 3 phase, 50/60 Hz.
- 240 VAC, 1 phase, 50/60 Hz. (12 to 18 kW only)
- 240 VAC, 3 phase, 50/60 Hz.
- 380/220 VAC, 3 phase, 50/60 Hz. 4 wire
- 415/240 VAC, 3 phase, 50/60 Hz. 4 wire

OPTIONAL ITEMS AT EXTRA COST:

- 3" (76 mm) draw-off valve (TVS-3) with perforated strainer (TPS-)
- 24 kw on 40, 60, 80 gallon
- 33 kw on 60, 80, 100 gallon
- 380 VAC, 3 Phase, 50/60 Hz.
- 415 VAC, 3 Phase, 50/60 Hz.
- 480 VAC, 3 Phase, 50/60 Hz.
- 600 VAC, 3 Phase, 50/60 Hz.
- Two piece hinged stainless steel cover (2PHC-)
- Etched gallon markings (GM-)
- Etched litre markings(LM-)
- Correctional package
- Solid state thermostat (SST-E)
- Single pantry faucet with swing spout (SF-12)
- Double pantry faucet with swing spout (DF-12)
- One piece lift off cover (C-)
- Triple basket assembly (TBA-)
- Solid stainless steel disc for draw-off valve (TSS-)
- Graduated measuring strip (CMS-)
- Strainer hook (SH)
- Draw-off valve hose kit (DVHK-)
- Calibrated thermostat dial "F"
- Calibrated thermostat dial "C"
- Single pantry kettle filler (SP-KF)
- Double pantry kettle filler (DP-KF)
- Kettle heat shield (KHS-)

SPECIFICATIONS:

Shall be a Crown Model _____, self-generating, electric, full jacket, low height pedestal kettle. A double wall kettle interior shall form a steam jacket around the full kettle. The jacket enclosure shall contain distilled water which is factory sealed. The bottom of the kettle shall be of hemispherical design for superior heat circulation.

The pedestal base shall have four, 7/16" holes evenly spaced for securing unit to the floor.

Construction shall be all welded #4 finish stainless steel, type 304. The interior liner shall be standard with 316 stainless steel for high acid content cooking. The controls shall be integrally mounted and shall include a power switch, thermostat, pilot light, low water light, vacuum/pressure gauge, safety relief valve, and low water shut off. Faucet bracket standard.

The kettle shall be standard with removable elements. Convenience features shall include a 2" (50 mm) draw-off valve and a spring assist hinged stainless steel domed cover. The kettle shall be ASME Code stamped, National Board Registered, c-CSA-us and NSF certified.

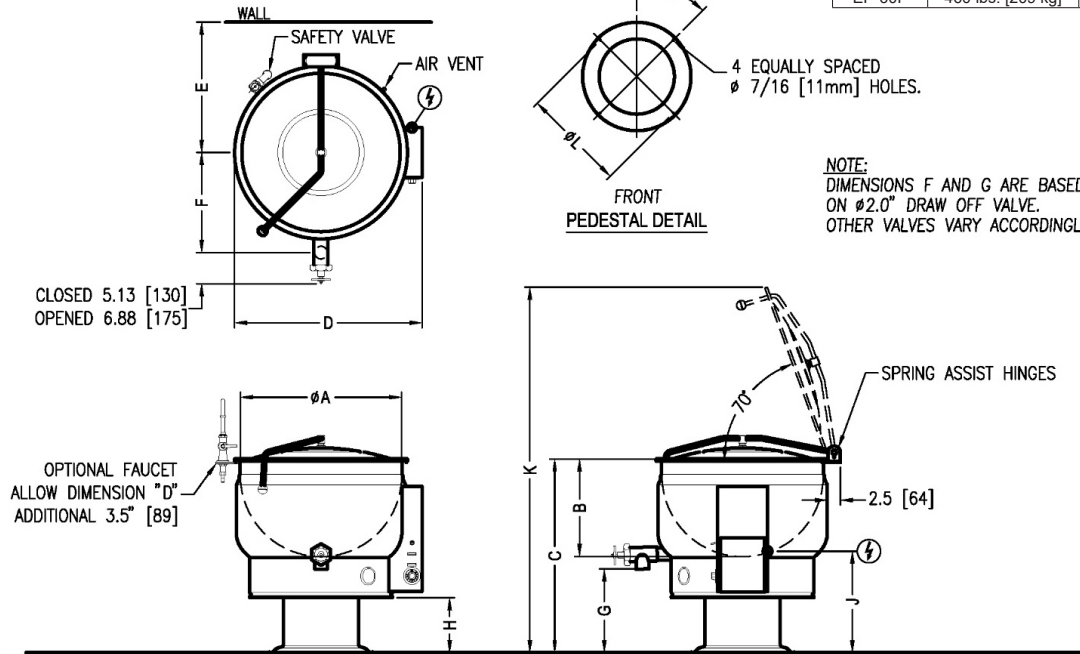
The kettle shall operate in a temperature range of 165F to 285°F (74°C to 140°C) at a maximum pressure of 50 psi (345 kPa).

Job _____
Item# _____



Models: EP-20F EP-30F EP-40F EP-60F

MODEL	SHIPPING WEIGHT	MINIMUM CLEARANCE	
EP-20F	245 lbs. [111 kg]	SIDES	3" [76 mm]
EP-30F	375 lbs. [170 kg]		
EP-40F	420 lbs. [191 kg]	BACK	3" [76 mm]
EP-60F	460 lbs. [209 kg]		



IN [mm]
6766R6

SERVICE CONNECTIONS

⚡ – ELECTRICAL CONNECTION : to be specified on data plate

DIMENSIONS

MODEL	CAPACITY	UNITS	A	B	C	D	E	F	G	H	J	K	L
EP-20F	20 gallons (76 liters)	in (mm)	26" (660)	15.75" (400)	31.25" (794)	30.25" (768)	21" (533)	16.13" (410)	13.5" (343)	8.88" (225)	16.38" (416)	59" (1499)	16.63" (422)
EP-30F	30 gallons (114 liters)	in (mm)	29.5" (749)	17.5" (445)	33.5" (851)	33.75" (857)	20.63" (524)	18" (457)	14" (356)	9.63" (244)	17.13" (435)	64.38" (1635)	16.63" (422)
EP-40F	40 gallons (152 liters)	in (mm)	33" (838)	19.25" (489)	36.25" (921)	37" (940)	22.38" (568)	19.5" (495)	15" (381)	11.25" (286)	18.75" (476)	70.5" (1791)	19.63" (499)
EP-60F	60 gallons (227 liters)	in (mm)	35.5" (902)	20.5" (521)	38.5" (978)	40" (1016)	23.63" (600)	21.5" (546)	15" (381)	13" (330)	20.5" (521)	75.13" (1908)	19.63" (499)

ELECTRICAL CHARACTERISTICS

AVAILABLE kW			AMPS PER LINE								
MODEL	STAN- DARD	OP- TIONAL	kW	PHASE	208V	220V	240V	380V	415V	480V	600V
EP-20F	18	24	18	1	86.5	81.8	75.0	N/A	N/A	N/A	N/A
				3	50	47.2	43.3	27.3	25	21.6	17.3
EP-30F	18	24 or 33	24	3	66.6	62.9	57.7	36.4	33.3	28.8	23.1
				3	91.6	86.6	79.4	50.1	45.9	39.7	31.7

**INTENDED FOR COMMERCIAL USE ONLY.
NOT FOR HOUSEHOLD USE.**



70 Oakdale Road, Toronto ON, Canada M3N 1V9
(919) 762-1000 www.crownsteamgroup.com