



203

Ice Chest Drop-In

Project _____

Item _____

Quantity _____

CSI Section 11400

Approved _____

Date _____

203: Ice Chest Drop-In

Models

- 203 90 pound ice capacity chest with stainless steel interior liner



203

Standard Features

- 20-gauge stainless steel top with raised die stamped opening
- Galvanized exterior body
- One piece stainless lift off cover with handle
- 1" diameter drain plumbed out the bottom
- High-density environmentally friendly, Kyoto Protocol Compliant, Non ODP (Ozone Depletion Potential), Non GWP (Global Warming Potential) polyurethane foam throughout unit
- Stainless steel interior liner with covered corners
- One year parts and 90 day labor standard warranty

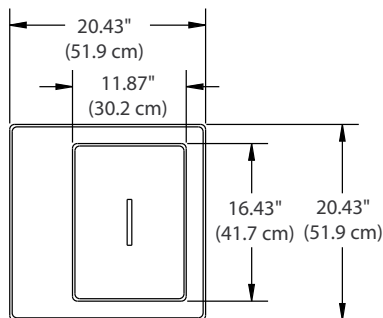
Specifications

Top is 20-gauge stainless steel with .19" (.48 cm) raised edge on die-stamped 10.43" x 15.18" (26.5 cm x 38.6 cm) opening. Opening is fitted with one-piece lift-off cover in 20-gauge stainless steel.

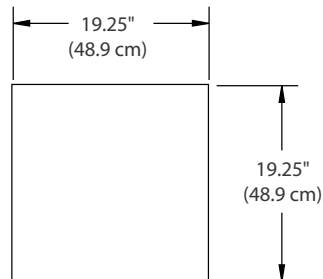
Ice compartment interior liner is 22-gauge stainless steel, has covered corners and has a 1" (2.54 cm) diameter drain. Insulation is high-density closed-cell environmentally friendly, Kyoto Protocol Compliant, Non ODP (Ozone Depletion Potential), Non GWP (Global Warming Potential) polyurethane. Ice capacity is 90 pounds.

Exterior is 24-gauge galvanized steel.

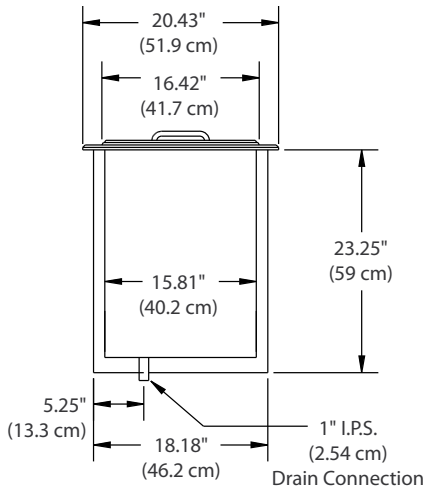




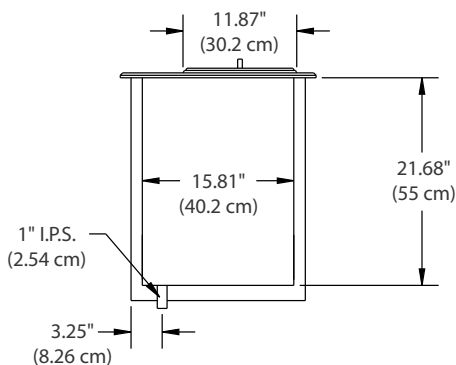
203 Plan View



203 Cutout Dimensions



203 Elevation View



203 Side View

| Specifications | | |
|----------------|------------------|--------------|
| Model | Storage Capacity | Ship Weight |
| 203 | 90 lbs | 52lbs (24kg) |

Delfield reserves the right to make changes to the design or specifications without prior notice.