

Project \_\_\_\_\_  
 Item \_\_\_\_\_  
 Quantity \_\_\_\_\_  
 CSI Section 11400  
 Approved \_\_\_\_\_  
 Date \_\_\_\_\_

# ST4048P

## Self-Contained Worktop Refrigerator

ST4048P

### Models

- ST4048P Two section worktop refrigerator



ST4048P

### Standard Features

- Features Delfield's exclusive ABS interior. ABS is extremely durable - it won't dent, chip or corrode and is backed by a limited lifetime warranty
- Stainless steel front, sides and top
- Environmentally friendly R290 refrigerant
- Foamed in place environmentally friendly, Kyoto Protocol Compliant, Non ODP (Ozone Depletion Potential), Non GWP (Global Warming Potential) polyurethane cuts energy costs
- Black recessed quick grip handle
- Rugged 6" high heavy duty metal legs
- 6' cord and plug supplied
- 4" backsplash
- Two (one per section) epoxy coated wire shelves standard per unit
- Three year parts and labor warranty and an additional two year compressor parts warranty

### Options & Accessories

- Stainless steel back
- Plastic laminate on front
- Additional wire shelves
- Stainless steel single-tier overshef
- 3" (8cm) diameter casters
- 5" (13cm) diameter casters
- Door lock

### Specifications

**Exterior** top is one-piece, 22-gauge stainless steel with front edge turned down to form nosing and rear edge turned up to form a 4" (10 cm) high backsplash. Exterior bottom shall be heavy-gauge galvanized metal. Exterior ends shall be 22-gauge stainless steel.

**Base** interior is one-piece thermoformed ABS plastic material, with integral shelf supports. Cabinet shall have Two (one per section) epoxy-coated wire shelves installed. Base shall be fully insulated with high-density foamed-in-place environmentally friendly, Kyoto Protocol Compliant, Non ODP (Ozone Depletion Potential), Non GWP (Global Warming Potential) polyurethane.

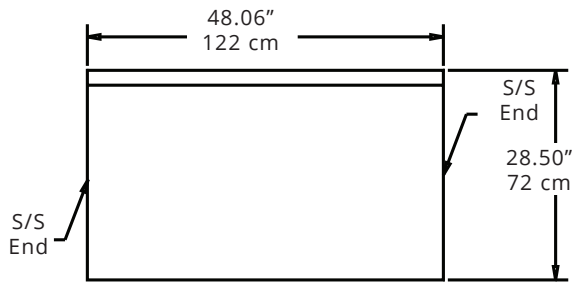
**Doors** have a 22-gauge stainless steel exterior, with a thermoformed ABS plastic interior liner, and shall be fully insulated with foamed-in-place polyurethane. Door handles shall be black, recessed ABS.

**Electrical** connections are 115 volt, 60 Hertz, single phase. Unit shall have a 6' (1.8m) long electrical cord and NEMA 5-15P plug. Cord and plug shall be located on rear of cabinet, 16" (41 cm) above floor, 12" (30 cm) from the left.

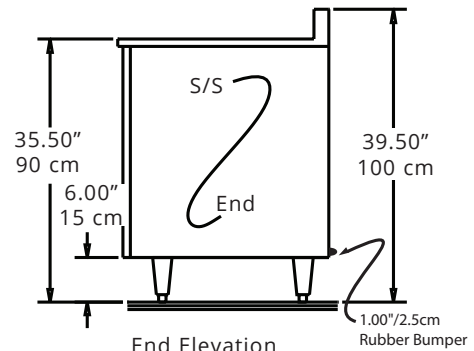
Equipment shall be mounted on 6" (15 cm) high metal legs with black enamel finish.

**Refrigeration system** uses R290 refrigerant. Compressor shall be 1/5 h.p., with condenser coil and hot gas condensate evaporator mounted on rear of cabinet. Evaporator coil shall be mounted on the interior rear wall of the cabinet. Temperature control is mounted to the exterior rear of the cabinet. Refrigerant flow shall be controlled by a capillary tube. Cabinet shall maintain 36°F to 40°F (2°F to 4°C) interior cabinet temperature.

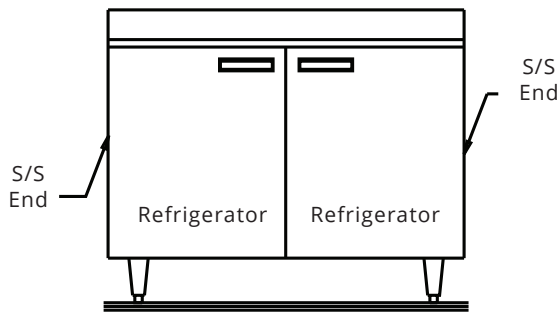




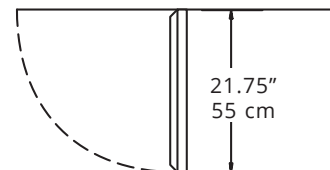
Plan View  
ST4048P



End Elevation  
ST4048P



Elevation View  
ST4048P



Door Clearance Detail  
Models ST4048P

**INSTALLATION NOTE:**

Refrigeration system is designed so that air will flow under the unit, through the compressor area and out the top rear of the unit. Any restriction to this air flow path will void the warranties.

Specifications									
Model	# of Shelves	Shelf Area	Volume	h.p.	V/Hz/Ph	Amps	nema plug	Ship Weight	Energy (KWH/Day)
Refrigerator ST4048P	2	8.0ft <sup>2</sup>	10.80ft <sup>3</sup>	1/5	115/60/1	4.0	5-15P	234lbs (106kg)	1.38

ST4048P

Welbilt reserves the right to make changes to the design or specifications without prior notice.