

APPLICATION:

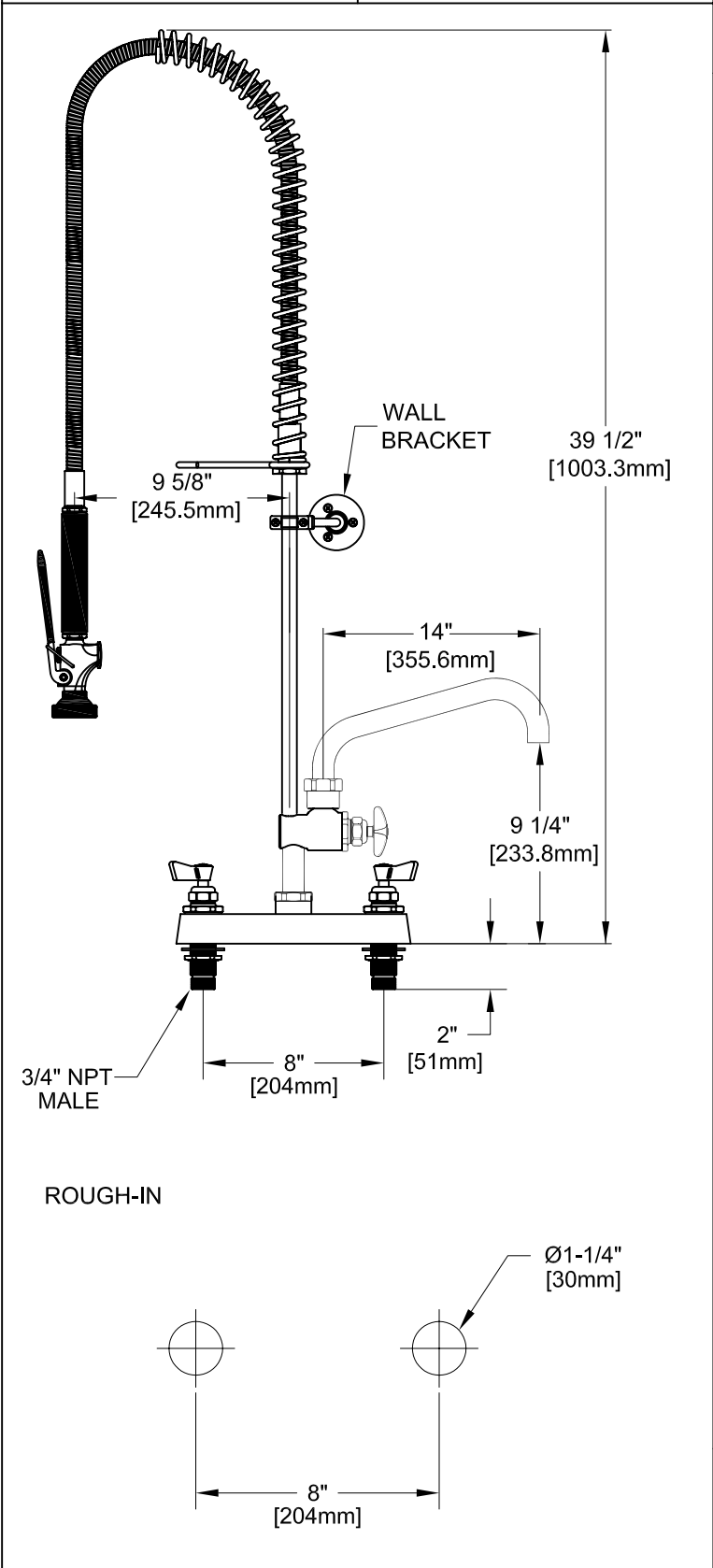
JOB NAME:

QUANTITY:                      ITEM NO.

PRODUCT NAME:  
 PRE-RINSE 8" DECK MOUNT  
 3/4" FAUCET WITH 14" ADD-ON FAUCET

\_\_\_\_\_ SPECIAL CONFIGURATION  
 CHECK BASE MODEL AND OPTIONS

MODEL:  
 49808 WITH WALL BRACKET



FEATURES:

**3/4" MAIN CONTROL VALVE**

- \* 8" DECK MOUNT
- \* INTERNAL SPRING LOADED CHECK VALVES
- \* SWIVELLING SEAT DISKS
- \* HOT SIDE STEM - RIGHT HAND
- \* COLD SIDE STEM - LEFT HAND
- \* STAINLESS STEEL SEATS
- \* STAINLESS STEEL SEAT SCREWS
- \* STAINLESS STEEL HANDLE SCREWS

**ADD-ON FAUCET**

- \* STEM - RIGHT HAND SWIVEL
- \* COLD INDEX BUTTON
- \* FULL 3/4" SEAT OPENING
- \* SWIVELING SEAT DISKS
- \* STAINLESS STEEL SEATS
- \* STAINLESS STEEL SEAT SCREWS
- \* STAINLESS STEEL HANDLE SCREWS
- \* 14" SPOUT WITH 1" DIAMETER OUTLET
- \* FLOW RATE: 37.0 GPM AT 80 PSI

**HOSE**

- \* 36" LENGTH
- \* STAINLESS STEEL END FITTINGS
- \* STAINLESS STEEL EXTERNAL JACKET
- \* 3-PLY FIBER REINFORCED INTERNAL RUBBER HOSE

**ULTRA SPRAY VALVE**

- \* LOWEST ENERGY USER - 1.15 GPM @ 60 PSI
- \* CLEANS FASTER - TEST PROVEN
- \* ENGINEERED TO LAST - NO 'O' RINGS TO LEAK
- \* INTERCHANGEABLE - FITS ALL BRANDS

**WALL BRACKET**

- \* ADJUSTS FROM 2" TO 12"

**SYSTEM LIMITS**

- \* TEMP: 40°F MIN. TO 140°F MAX.
- \* PRESSURE 200 PSI MAX. STATIC

**SHIPPING WEIGHT**

- \* 18.0 LBS

EPAct 2005 Compliant                      ANSI/A112.18.1M

