

hatcocorp.com

Register Online!  
(see page 2)

S'inscrire en ligne!  
(voir page 25)



# GLO-RAY®

## Heated Shelf

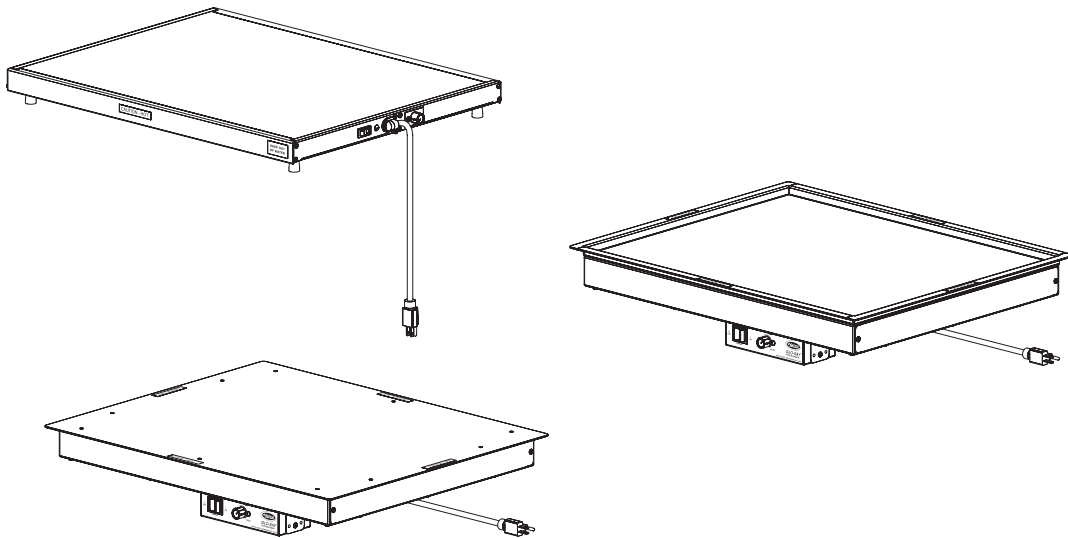
## Rayonnage Chauffant

### GRS, GR SB, and GR SBF Series/Série

## Installation and Operating Manual

## Manuel d'installation et d'utilisation

P/N 07.04.288.00



### ⚠ WARNING

Do not operate this equipment unless you have read and understood the contents of this manual! Failure to follow the instructions contained in this manual may result in serious injury or death. This manual contains important safety information concerning the maintenance, use, and operation of this product. If you're unable to understand the contents of this manual, please bring it to the attention of your supervisor. Keep this manual in a safe location for future reference.

English = p 2

### ⚠ ADVERTENCIA

No opere este equipo al menos que haya leído y comprendido el contenido de este manual! Cualquier falla en el seguimiento de las instrucciones contenidas en este manual puede resultar en un serio lesión o muerte. Este manual contiene importante información sobre seguridad concerniente al mantenimiento, uso y operación de este producto. Si usted no puede entender el contenido de este manual por favor pregunte a su supervisor. Almacenar este manual en una localización segura para la referencia futura.

### ⚠ AVERTISSEMENT

Ne pas utiliser cet équipement sans avoir lu et compris le contenu de ce manuel ! Le non-respect des instructions contenues dans ce manuel peut entraîner de graves blessures ou la mort. Ce manuel contient des informations importantes concernant l'entretien, l'utilisation et le fonctionnement de ce produit. Si vous ne comprenez pas le contenu de ce manuel, veuillez le signaler à votre supérieur. Conservez ce manuel dans un endroit sûr pour pouvoir vous y référer plus tard.

Français = p 25

<b>Important Owner Information</b> .....	<b>2</b>	<b>Installation</b> .....	<b>14</b>
<b>Introduction</b> .....	<b>2</b>	General.....	14
<b>Important Safety Information</b> .....	<b>3</b>	GRS Models.....	14
<b>Model Descriptions</b> .....	<b>4</b>	GRSB and GRSE Models.....	15
GRS Model.....	4	<b>Operation</b> .....	<b>18</b>
GRSB and GRSE Models.....	4	General.....	18
<b>Model Designation</b> .....	<b>4</b>	<b>Maintenance</b> .....	<b>19</b>
<b>Specifications</b> .....	<b>5</b>	General.....	19
Plug Configurations.....	5	Daily Cleaning.....	19
Dimensions — GRS Models.....	5	<b>Troubleshooting Guide</b> .....	<b>20</b>
Dimensions — GRSE Models.....	6	<b>Options and Accessories</b> .....	<b>21</b>
Dimensions — GRSEBF Models.....	7	<b>Limited Warranty</b> .....	<b>24</b>
Electrical Rating Chart — GRS Models.....	8	<b>Authorized Parts Distributors</b> .....	<b>Back Cover</b>
Electrical Rating Chart — GRSE Models.....	11		
Electrical Rating Chart — GRSEBF Models.....	13		

## IMPORTANT OWNER INFORMATION

Record the model number, serial number, voltage, and purchase date of the unit in the spaces below (specification label on bottom of GRS model, bottom of control box on GRSE and GRSEBF models). Please have this information available when calling Hatco for service assistance.

Model No. \_\_\_\_\_

Serial No. \_\_\_\_\_

Voltage \_\_\_\_\_

Date of Purchase \_\_\_\_\_

Business Hours: 7:00 AM to 5:00 PM Central Standard Time (CST)  
 (Summer Hours: June to September—  
 7:00 AM to 5:00 PM CST Monday–Thursday  
 7:00 AM to 4:00 PM CST Friday)

Telephone: 800-558-0607; 414-671-6350

e-mail: [partsandservice@hatcocorp.com](mailto:partsandservice@hatcocorp.com)

Fax: 800-690-2966 (Parts and Service)  
414-671-3976 (International)



24 Hour 7 Day Parts and Service Assistance available in the United States and Canada by calling 800-558-0607.

Additional information can be found by visiting our web site at [www.hatcocorp.com](http://www.hatcocorp.com).

### Register your unit!

Completing online warranty registration will prevent delay in obtaining warranty coverage. Access the Hatco website at [www.hatcocorp.com](http://www.hatcocorp.com), select the *Parts & Service* pull-down menu, and click on "Warranty Registration".

## INTRODUCTION

Hatco Glo-Ray® Heated Shelves are designed to keep prepared foods hot in kitchen work areas, server pick-up stations, or customer serving points. Heated Shelves will keep all foods at optimum serving temperatures without affecting quality. These warmers have a thermostatically-controlled heated base to extend the holding times of most foods.

Glo-Ray Heated Shelves are a product of extensive research and field testing. The materials used were selected for maximum durability, attractive appearance, and optimum performance. Every unit is inspected and tested thoroughly prior to shipment.

This manual provides the installation, safety, and operating instructions for the Glo-Ray Heated Shelf. Hatco recommends all installation, operating, and safety instructions appearing in this manual be read prior to installation or operation of the Glo-Ray Heated Shelf.

Safety information that appears in this manual is identified by the following signal word panels:



**WARNING** indicates a hazardous situation which, if not avoided, could result in death or serious injury.



**CAUTION** indicates a hazardous situation which, if not avoided, could result in minor or moderate injury.



**NOTICE** is used to address practices not related to personal injury.



Read the following important safety information before using this equipment to avoid serious injury or death and to avoid damage to equipment or property.

**WARNING**

**ELECTRIC SHOCK HAZARD:**

- Plug unit into a properly grounded electrical receptacle of the correct voltage, size, and plug configuration. If plug and receptacle do not match, contact a qualified electrician to determine and install the proper voltage and size electrical receptacle.
- Turn OFF power switch, unplug power cord, and allow unit to cool before performing any cleaning, adjustments, or maintenance.
- DO NOT submerge or saturate with water. Unit is not waterproof. Do not operate if unit has been submerged or saturated with water.
- Unit is not weatherproof. Locate unit indoors where ambient air temperature is a minimum of 70°F (21°C).
- This unit is not “jet-proof” construction. Do not use jet-clean spray to clean this unit.
- Do not steam clean or use excessive water on unit.
- Do not pull unit by power cord.
- Discontinue use if power cord is frayed or worn.
- Do not attempt to repair or replace a damaged power cord. The cord must be replaced by Hatco, an Authorized Hatco Service Agent, or a person with similar qualifications.
- This unit must be serviced by qualified personnel only. Service by unqualified personnel may lead to electric shock or burn.
- Remote control enclosure must be mounted on vertical wall and installed in vertical position. Mounting remote control enclosure in horizontal position may result in collection of liquids and lead to electric shock.
- Use only Genuine Hatco Replacement Parts when service is required. Failure to use Genuine Hatco Replacement Parts will void all warranties and may subject operators of the equipment to hazardous electrical voltage, resulting in electrical shock or burn. Genuine Hatco Replacement Parts are specified to operate safely in the environments in which they are used. Some aftermarket or generic replacement parts do not have the characteristics that will allow them to operate safely in Hatco equipment.

**FIRE HAZARD:** Locate unit a minimum of 1” (25 mm) from combustible walls and materials. If safe distances are not maintained, discoloration or combustion could occur.

Make sure food product has been heated to the proper food-safe temperature before placing on the unit. Failure to heat food product properly may result in serious health risks. This unit is for holding preheated food product only.

Make sure all operators have been instructed on the safe and proper use of the unit.

This unit is not intended for use by children or persons with reduced physical, sensory, or mental capabilities. Ensure proper supervision of children and keep them away from the unit.

**WARNING**

This unit has no “user-serviceable” parts. If service is required on this unit, contact an Authorized Hatco Service Agent or contact the Hatco Service Department at 800-558-0607 or 414-671-6350; fax 800-690-2966; or International fax 414-671-3976.

**CAUTION**

**BURN HAZARD:** Some exterior surfaces on unit will get hot. Use caution when touching these areas.

Locate unit at proper counter height in an area that is convenient for use. The location should be level to prevent unit or its contents from falling accidentally and strong enough to support the weight of unit and contents.

Do not operate built-in models without control box mounted properly as described in installation instructions.

Do not operate unit without installing supplied legs.

The National Sanitation Foundation (NSF) requires that units over 36” (914 mm) in width or weighing more than 80 lbs. (36 kg) either be sealed to or raised above installation surface. If unit cannot be sealed at the point of use, 4” (102 mm) legs are included to allow for proper cleaning access below unit.

**NOTICE**

Unit is designed and recommended for use in or on metallic countertops. Damage to any countertop material is not covered under the Hatco warranty. For other surfaces, verify with manufacturer that material is suitable for prolonged temperatures up to 200°F (93°C).

Do not modify wiring or cut thermostat capillary on control enclosure to increase remote mounting distance. Cutting thermostat capillary will cause unit to overheat and may damage unit as well as surrounding countertop.

Do not use excessive force when tightening mounting screws on built-in units. This may damage unit and/or countertop.

Do not lay unit on the side with the control panel. Damage to unit could occur.

Use non-abrasive cleaners and cloths only. Abrasive cleaners and cloths could scratch the finish of the unit, marring its appearance and making it susceptible to soil accumulation.

Install remote mounted control enclosure outside of heat zone. Locating control enclosure inside heat zone will cause control(s) to overheat, malfunction, and fail.

Do not slide pans across hardcoat surface, use rough-bottomed pans, or drop anything on hardcoat surface. Scratching may occur. Damage to hardcoat surface caused by misuse is not covered under warranty.

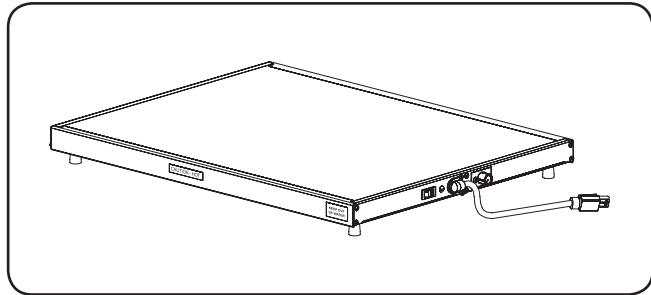
Do not locate unit in area with excessive air movement around unit. Avoid areas that may be subject to active air movements or currents (i.e., near exhaust fans/hoods, air conditioning ducts, and exterior doors).

# MODEL DESCRIPTION

## GRS Model

The GRS Heated Shelf is ideal for pass-through areas, buffet lines, or as a heated work shelf. It features a Power On/Off rocker switch with indicator light, an adjustable thermostat control, and a 6' (1829 mm) power cord with plug. Surface mounted, blanket-type foil elements distribute heat under the entire stainless steel or hardcoat aluminum surface.

All GRS models are shipped from the factory completely assembled (except legs) and ready for use.



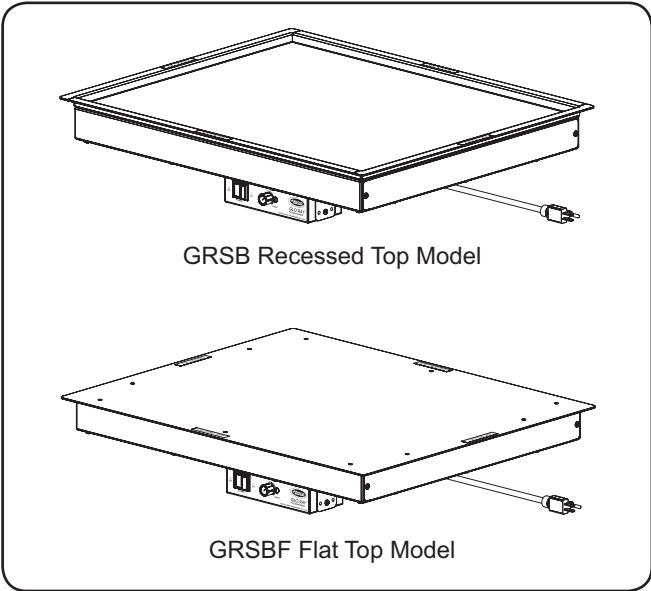
GRS Model

## GRSB and GRSE Models

The GRSB and GRSE Built-In Heated Shelves have a hardcoat aluminum surface and a blanket-type foil element for uniform heat distribution. Ideal for server-to-customer pass-through areas, buffet/cafeteria lines, and other self-service areas. The GRSB model features a recessed top. The GRSE model features a flat top.

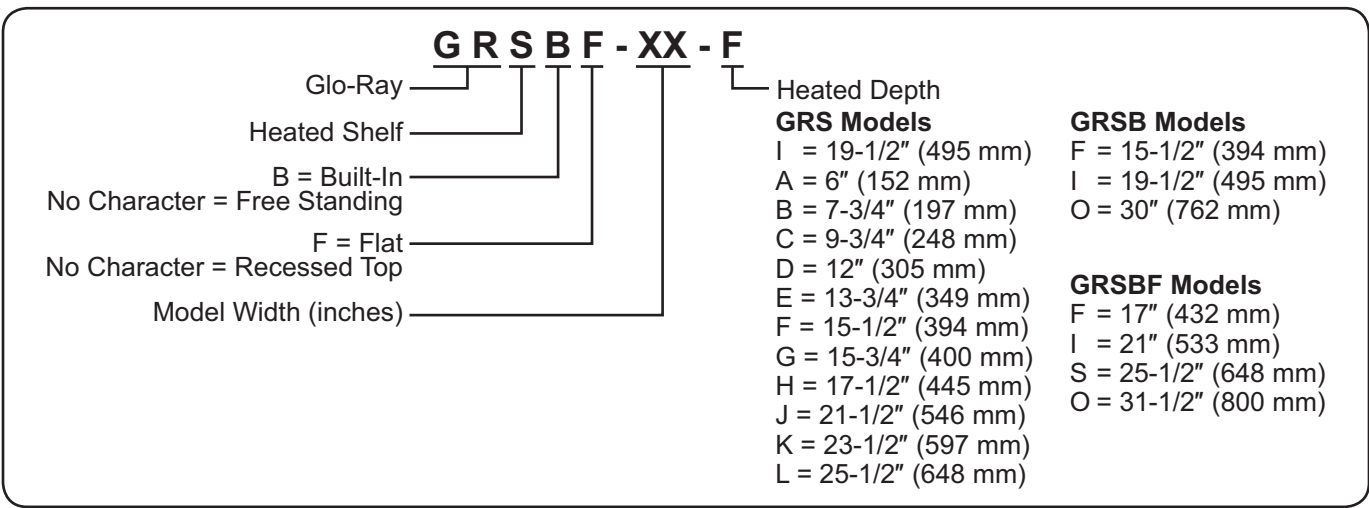
A 36" (914 mm) flexible conduit channels the power lines from the shelf to a control box. The control box comes with an illuminated POWER ON/OFF (I/O) rocker switch, an adjustable thermostat control, and mounting brackets. The attached control box can be mounted semi-remotely up to 36" (914 mm) from the unit. A 6' (1829 mm) power cord and plug is attached to the control box.

The GRSB and GRSE models have a 3/4" (19 mm) flanged edge that allows the unit to drop into a countertop opening for recessed mounting. The shelves are easy to clean with a non-abrasive, damp cloth and/or non-abrasive cleaner. All GRSB and GRSE models are shipped from the factory completely assembled and ready for installation.



GRSB and GRSE Models

# MODEL DESIGNATION



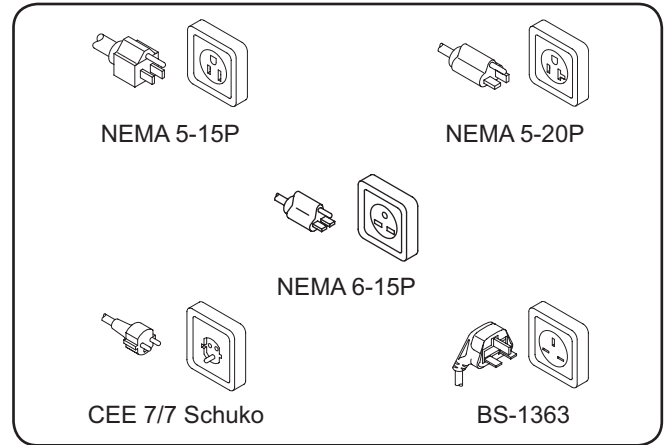
**Plug Configurations**

Units are supplied from the factory with an electrical cord and plug installed. Plugs are supplied according to the application.



**ELECTRIC SHOCK HAZARD:** Plug unit into a properly grounded electrical receptacle of the correct voltage, size, and plug configuration. If plug and receptacle do not match, contact a qualified electrician to determine and install the proper voltage and size electrical receptacle.

*NOTE: The specification label is located on the bottom of GRS models and the bottom of the remote control box on GRSB and GRSBF models. See label for serial number and verification of unit electrical information.*



Plug Configurations

*NOTE: Receptacle not supplied by Hatco.*

**Dimensions — GRS Models**

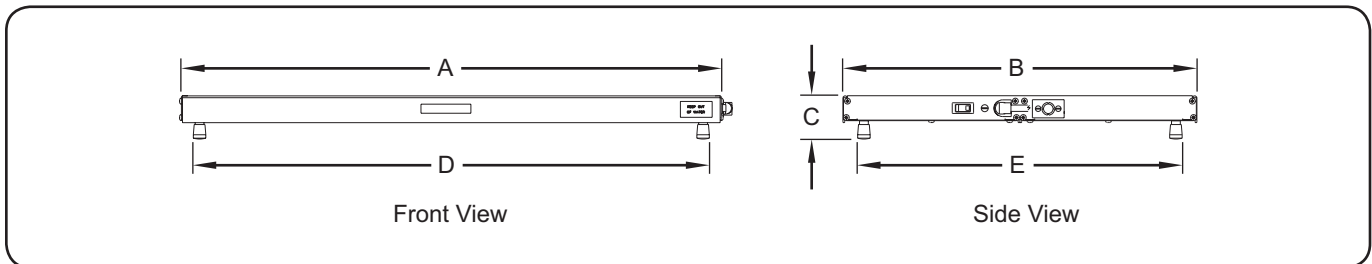
Model	Width (A)	Depth (B)	Height (C)	Footprint Width (D)	Footprint Depth (E)
GRS-18-I	18" (457 mm)	19-1/2" (495 mm)	2-1/4" (57 mm)†	16-3/4" (425 mm)	18" (457 mm)
GRS-24-I	24" (610 mm)	19-1/2" (495 mm)	2-1/4" (57 mm)†	22-3/4" (578 mm)	18" (457 mm)
GRS-30-I	30" (762 mm)	19-1/2" (495 mm)	2-1/4" (57 mm)†	28-3/4" (730 mm)	18" (457 mm)
GRS-36-I	36" (914 mm)	19-1/2" (495 mm)	2-1/4" (57 mm)†	34-3/4" (883 mm)	18" (457 mm)
GRS-42-I	42" (1067 mm)	19-1/2" (495 mm)	5-1/4" (133 mm)*	40-3/4" (1035 mm)	18" (457 mm)
GRS-48-I	48" (1219 mm)	19-1/2" (495 mm)	5-1/4" (133 mm)*	46-3/4" (1187 mm)	18" (457 mm)
GRS-54-I	54" (1372 mm)	19-1/2" (495 mm)	5-1/4" (133 mm)*	52-3/4" (1340 mm)	18" (457 mm)
GRS-60-I	60" (1524 mm)	19-1/2" (495 mm)	5-1/4" (133 mm)*	58-3/4" (1492 mm)	18" (457 mm)
GRS-66-I	66" (1676 mm)	19-1/2" (495 mm)	5-1/4" (133 mm)*	64-3/4" (1645 mm)	18" (457 mm)
GRS-72-I	72" (1829 mm)	19-1/2" (495 mm)	5-1/4" (133 mm)*	70-3/4" (1797 mm)	18" (457 mm)

† Height includes 1" (25 mm) legs.

\* Height includes 4" (102 mm) legs.

*NOTE: All models listed above are based on 19-1/2" (495 mm) depth (I). The additional depths available include:*

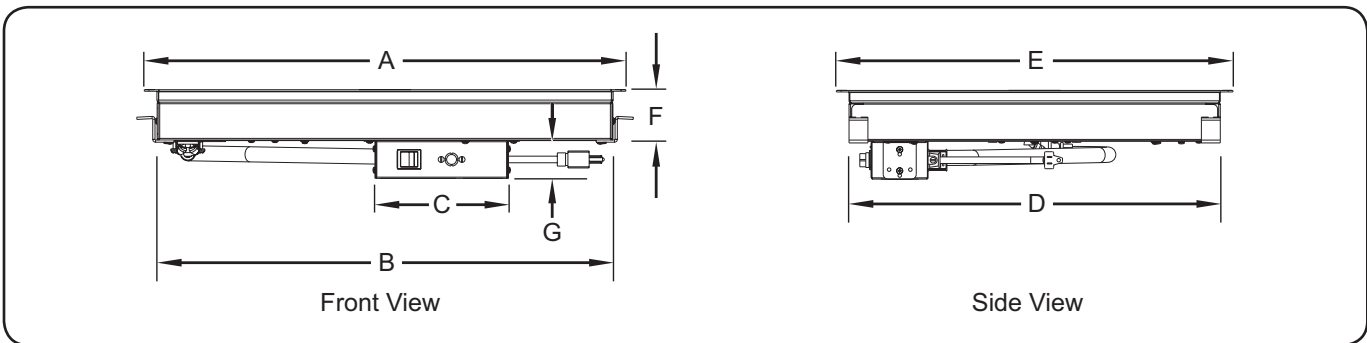
- A = 6" (152 mm)      B = 7-3/4" (197 mm)      C = 9-3/4" (248 mm)      D = 12" (305 mm)
- E = 13-3/4" (349 mm)      F = 15-1/2" (394 mm)      G = 15-3/4" (400 mm)      H = 17-1/2" (445 mm)
- J = 21-1/2" (546 mm)      K = 23-1/2" (597 mm)      L = 25-1/2" (648 mm)



GRS Model Dimensions

**Dimensions — GRSB Models**

Model	Overall Width (A)	Heated Width (B)	Control Box Width (C)	Heated Depth (D)	Overall Depth (E)	Height (F)	Control Box Height (G)
GRSB-24-F	25-1/2" (648 mm)	24" (610 mm)	7-1/4" (184 mm)	15-1/2" (394 mm)	17" (432 mm)	2-7/8" (73 mm)	2-1/8" (54 mm)
GRSB-24-I	25-1/2" (648 mm)	24" (610 mm)	7-1/4" (184 mm)	19-1/2" (495 mm)	21" (533 mm)	2-7/8" (73 mm)	2-1/8" (54 mm)
GRSB-24-O	25-1/2" (648 mm)	24" (610 mm)	7-1/4" (184 mm)	30" (762 mm)	31-1/2" (800 mm)	2-7/8" (73 mm)	2-1/8" (54 mm)
GRSB-30-F	31-1/2" (800 mm)	30" (762 mm)	7-1/4" (184 mm)	15-1/2" (394 mm)	17" (432 mm)	2-7/8" (73 mm)	2-1/8" (54 mm)
GRSB-30-I	31-1/2" (800 mm)	30" (762 mm)	7-1/4" (184 mm)	19-1/2" (495 mm)	21" (533 mm)	2-7/8" (73 mm)	2-1/8" (54 mm)
GRSB-30-O	31-1/2" (800 mm)	30" (762 mm)	7-1/4" (184 mm)	30" (762 mm)	31-1/2" (800 mm)	2-7/8" (73 mm)	2-1/8" (54 mm)
GRSB-36-F	37-1/2" (953 mm)	36" (914 mm)	7-1/4" (184 mm)	15-1/2" (394 mm)	17" (432 mm)	2-7/8" (73 mm)	2-1/8" (54 mm)
GRSB-36-I	37-1/2" (953 mm)	36" (914 mm)	7-1/4" (184 mm)	19-1/2" (495 mm)	21" (533 mm)	2-7/8" (73 mm)	2-1/8" (54 mm)
GRSB-36-O	37-1/2" (953 mm)	36" (914 mm)	7-1/4" (184 mm)	30" (762 mm)	31-1/2" (800 mm)	2-7/8" (73 mm)	2-1/8" (54 mm)
GRSB-42-F	43-1/2" (1105 mm)	42" (1067 mm)	7-1/4" (184 mm)	15-1/2" (394 mm)	17" (432 mm)	2-7/8" (73 mm)	2-1/8" (54 mm)
GRSB-42-I	43-1/2" (1105 mm)	42" (1067 mm)	7-1/4" (184 mm)	19-1/2" (495 mm)	21" (533 mm)	2-7/8" (73 mm)	2-1/8" (54 mm)
GRSB-42-O	43-1/2" (1105 mm)	42" (1067 mm)	7-1/4" (184 mm)	30" (762 mm)	31-1/2" (800 mm)	2-7/8" (73 mm)	2-1/8" (54 mm)
GRSB-48-F	49-1/2" (1257 mm)	48" (1219 mm)	7-1/4" (184 mm)	15-1/2" (394 mm)	17" (432 mm)	2-7/8" (73 mm)	2-1/8" (54 mm)
GRSB-48-I	49-1/2" (1257 mm)	48" (1219 mm)	7-1/4" (184 mm)	19-1/2" (495 mm)	21" (533 mm)	2-7/8" (73 mm)	2-1/8" (54 mm)
GRSB-48-O	49-1/2" (1257 mm)	48" (1219 mm)	7-1/4" (184 mm)	30" (762 mm)	31-1/2" (800 mm)	2-7/8" (73 mm)	2-1/8" (54 mm)
GRSB-54-I	55-1/2" (1410 mm)	54" (1372 mm)	7-1/4" (184 mm)	19-1/2" (495 mm)	21" (533 mm)	2-7/8" (73 mm)	2-1/8" (54 mm)
GRSB-60-F	61-1/2" (1562 mm)	60" (1524 mm)	7-1/4" (184 mm)	15-1/2" (394 mm)	17" (432 mm)	2-7/8" (73 mm)	2-1/8" (54 mm)
GRSB-60-I	61-1/2" (1562 mm)	60" (1524 mm)	7-1/4" (184 mm)	19-1/2" (495 mm)	21" (533 mm)	2-7/8" (73 mm)	2-1/8" (54 mm)
GRSB-60-O	61-1/2" (1562 mm)	60" (1524 mm)	7-1/4" (184 mm)	30" (762 mm)	31-1/2" (800 mm)	2-7/8" (73 mm)	2-1/8" (54 mm)
GRSB-66-I	67-1/2" (1715 mm)	66" (1676 mm)	7-1/4" (184 mm)	19-1/2" (495 mm)	21" (533 mm)	2-7/8" (73 mm)	2-1/8" (54 mm)
GRSB-72-F	73-1/2" (1867 mm)	72" (1829 mm)	7-1/4" (184 mm)	15-1/2" (394 mm)	17" (432 mm)	2-7/8" (73 mm)	2-1/8" (54 mm)
GRSB-72-I	73-1/2" (1867 mm)	72" (1829 mm)	7-1/4" (184 mm)	19-1/2" (495 mm)	21" (533 mm)	2-7/8" (73 mm)	2-1/8" (54 mm)
GRSB-72-O	73-1/2" (1867 mm)	72" (1829 mm)	7-1/4" (184 mm)	30" (762 mm)	31-1/2" (800 mm)	2-7/8" (73 mm)	2-1/8" (54 mm)



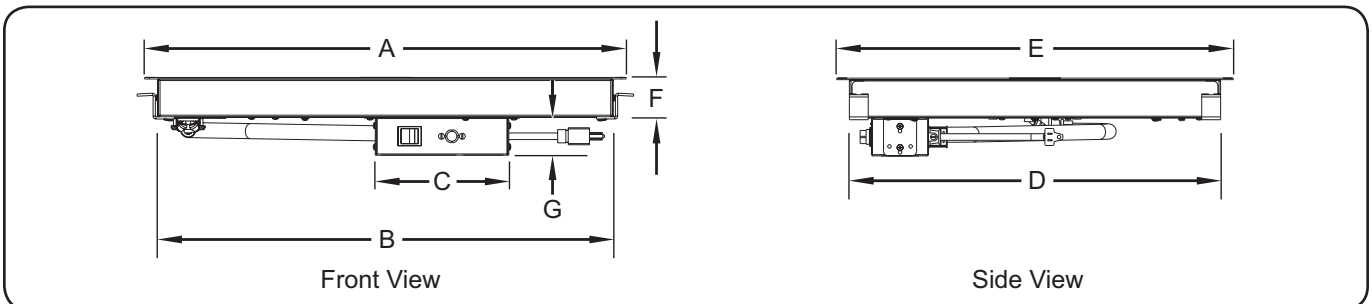
GRSB Model Dimensions

**NOTICE**

Refer to the **INSTALLATION** section of this manual for actual countertop cutout dimensions.

## Dimensions — GRSBF Models

Model	Heated Width (A)	Width (B)	Control Box Width (C)	Depth (D)	Heated Depth (E)	Height (F)	Control Box Height (G)
GRSBF-18-F	19-1/2" (495 mm)	18-3/32" (460 mm)	7-1/4" (184 mm)	15-1/2" (394 mm)	17" (432 mm)	2-1/4" (57 mm)	2-1/8" (54 mm)
GRSBF-24-F	25-1/2" (648 mm)	24-3/32" (612 mm)	7-1/4" (184 mm)	15-1/2" (394 mm)	17" (432 mm)	2-1/4" (57 mm)	2-1/8" (54 mm)
GRSBF-24-I	25-1/2" (648 mm)	24-3/32" (612 mm)	7-1/4" (184 mm)	19-1/2" (495 mm)	21" (533 mm)	2-1/4" (57 mm)	2-1/8" (54 mm)
GRSBF-24-S	25-1/2" (648 mm)	24-3/32" (612 mm)	7-1/4" (184 mm)	24" (610 mm)	25-1/2" (648 mm)	2-1/4" (57 mm)	2-1/8" (54 mm)
GRSBF-24-O	25-1/2" (648 mm)	24-3/32" (612 mm)	7-1/4" (184 mm)	30" (762 mm)	31-1/2" (800 mm)	2-1/4" (57 mm)	2-1/8" (54 mm)
GRSBF-30-F	31-1/2" (800 mm)	30-3/32" (764 mm)	7-1/4" (184 mm)	15-1/2" (394 mm)	17" (432 mm)	2-1/4" (57 mm)	2-1/8" (54 mm)
GRSBF-30-I	31-1/2" (800 mm)	30-3/32" (764 mm)	7-1/4" (184 mm)	19-1/2" (495 mm)	21" (533 mm)	2-1/4" (57 mm)	2-1/8" (54 mm)
GRSBF-30-S	31-1/2" (800 mm)	30-3/32" (764 mm)	7-1/4" (184 mm)	24" (610 mm)	25-1/2" (648 mm)	2-1/4" (57 mm)	2-1/8" (54 mm)
GRSBF-30-O	31-1/2" (800 mm)	30-3/32" (764 mm)	7-1/4" (184 mm)	30" (762 mm)	31-1/2" (800 mm)	2-1/4" (57 mm)	2-1/8" (54 mm)
GRSBF-36-F	37-1/2" (953 mm)	36-3/32" (917 mm)	7-1/4" (184 mm)	15-1/2" (394 mm)	17" (432 mm)	2-1/4" (57 mm)	2-1/8" (54 mm)
GRSBF-36-I	37-1/2" (953 mm)	36-3/32" (917 mm)	7-1/4" (184 mm)	19-1/2" (495 mm)	21" (533 mm)	2-1/4" (57 mm)	2-1/8" (54 mm)
GRSBF-36-S	37-1/2" (953 mm)	36-3/32" (917 mm)	7-1/4" (184 mm)	24" (610 mm)	25-1/2" (648 mm)	2-1/4" (57 mm)	2-1/8" (54 mm)
GRSBF-36-O	37-1/2" (953 mm)	36-3/32" (917 mm)	7-1/4" (184 mm)	30" (762 mm)	31-1/2" (800 mm)	2-1/4" (57 mm)	2-1/8" (54 mm)
GRSBF-42-F	43-1/2" (1105 mm)	42-3/32" (1069 mm)	7-1/4" (184 mm)	15-1/2" (394 mm)	17" (432 mm)	2-1/4" (57 mm)	2-1/8" (54 mm)
GRSBF-42-I	43-1/2" (1105 mm)	42-3/32" (1069 mm)	7-1/4" (184 mm)	19-1/2" (495 mm)	21" (533 mm)	2-1/4" (57 mm)	2-1/8" (54 mm)
GRSBF-42-S	43-1/2" (1105 mm)	42-3/32" (1069 mm)	7-1/4" (184 mm)	24" (610 mm)	25-1/2" (648 mm)	2-1/4" (57 mm)	2-1/8" (54 mm)
GRSBF-42-O	43-1/2" (1105 mm)	42-3/32" (1069 mm)	7-1/4" (184 mm)	30" (762 mm)	31-1/2" (800 mm)	2-1/4" (57 mm)	2-1/8" (54 mm)
GRSBF-48-F	49-1/2" (1257 mm)	48-3/32" (1222 mm)	7-1/4" (184 mm)	15-1/2" (394 mm)	17" (432 mm)	2-1/4" (57 mm)	2-1/8" (54 mm)
GRSBF-48-I	49-1/2" (1257 mm)	48-3/32" (1222 mm)	7-1/4" (184 mm)	19-1/2" (495 mm)	21" (533 mm)	2-1/4" (57 mm)	2-1/8" (54 mm)
GRSBF-48-S	49-1/2" (1257 mm)	48-3/32" (1222 mm)	7-1/4" (184 mm)	24" (610 mm)	25-1/2" (648 mm)	2-1/4" (57 mm)	2-1/8" (54 mm)
GRSBF-48-O	49-1/2" (1257 mm)	48-3/32" (1222 mm)	7-1/4" (184 mm)	30" (762 mm)	31-1/2" (800 mm)	2-1/4" (57 mm)	2-1/8" (54 mm)
GRSBF-60-F	61-1/2" (1562 mm)	60-3/32" (1526 mm)	7-1/4" (184 mm)	15-1/2" (394 mm)	17" (432 mm)	2-1/4" (57 mm)	2-1/8" (54 mm)
GRSBF-60-I	61-1/2" (1562 mm)	60-3/32" (1526 mm)	7-1/4" (184 mm)	19-1/2" (495 mm)	21" (533 mm)	2-1/4" (57 mm)	2-1/8" (54 mm)
GRSBF-60-S	61-1/2" (1562 mm)	60-3/32" (1526 mm)	7-1/4" (184 mm)	24" (610 mm)	25-1/2" (648 mm)	2-1/4" (57 mm)	2-1/8" (54 mm)
GRSBF-60-O	61-1/2" (1562 mm)	60-3/32" (1526 mm)	7-1/4" (184 mm)	30" (762 mm)	31-1/2" (800 mm)	2-1/4" (57 mm)	2-1/8" (54 mm)
GRSBF-72-F	73-1/2" (1867 mm)	72-3/32" (1831 mm)	7-1/4" (184 mm)	15-1/2" (394 mm)	17" (432 mm)	2-1/4" (57 mm)	2-1/8" (54 mm)
GRSBF-72-I	73-1/2" (1867 mm)	72-3/32" (1831 mm)	7-1/4" (184 mm)	19-1/2" (495 mm)	21" (533 mm)	2-1/4" (57 mm)	2-1/8" (54 mm)
GRSBF-72-S	73-1/2" (1867 mm)	72-3/32" (1831 mm)	7-1/4" (184 mm)	24" (610 mm)	25-1/2" (648 mm)	2-1/4" (57 mm)	2-1/8" (54 mm)
GRSBF-72-O	73-1/2" (1867 mm)	72-3/32" (1831 mm)	7-1/4" (184 mm)	30" (762 mm)	31-1/2" (800 mm)	2-1/4" (57 mm)	2-1/8" (54 mm)

**NOTICE**

Refer to the **INSTALLATION** section of this manual for actual countertop cutout dimensions.

## Electrical Rating Chart — Standard 19-1/2" Depth GRS Models

Model	Voltage	Watts	Amps	Plug Configuration	Shipping Weight
GRS-18-I	100	250	2.5	NEMA 5-15P	16 lbs. (7 kg)
	120	250	2.1	NEMA 5-15P	16 lbs. (7 kg)
	220	228	1.0	CEE 7/7 Schuko	16 lbs. (7 kg)
	240	272	1.1	BS-1363	16 lbs. (7 kg)
	220-230 (CE)	228-250	1.0-1.1	CEE 7/7 Schuko	16 lbs. (7 kg)
	230-240 (CE)	250-272	1.0-1.1	BS-1363	16 lbs. (7 kg)
GRS-24-I	100	350	3.5	NEMA 5-15P	20 lbs. (9 kg)
	120	350	2.9	NEMA 5-15P	20 lbs. (9 kg)
	220	320	1.5	CEE 7/7 Schuko	20 lbs. (9 kg)
	240	380	1.6	BS-1363	20 lbs. (9 kg)
	220-230 (CE)	320-350	1.5-1.6	CEE 7/7 Schuko	20 lbs. (9 kg)
	230-240 (CE)	350-380	1.5-1.6	BS-1363	20 lbs. (9 kg)
GRS-30-I	100	450	4.5	NEMA 5-15P	25 lbs. (11 kg)
	120	450	3.8	NEMA 5-15P	25 lbs. (11 kg)
	220	412	1.9	CEE 7/7 Schuko	25 lbs. (11 kg)
	240	490	2.0	BS-1363	25 lbs. (11 kg)
	220-230 (CE)	412-450	1.9-2.0	CEE 7/7 Schuko	25 lbs. (11 kg)
	230-240 (CE)	450-490	1.9-2.0	BS-1363	25 lbs. (11 kg)
GRS-36-I	100	550	5.5	NEMA 5-15P	28 lbs. (13 kg)
	120	550	4.6	NEMA 5-15P	28 lbs. (13 kg)
	220	504	2.3	CEE 7/7 Schuko	28 lbs. (13 kg)
	240	598	2.5	BS-1363	28 lbs. (13 kg)
	220-230 (CE)	504-550	2.3-2.4	CEE 7/7 Schuko	28 lbs. (13 kg)
	230-240 (CE)	550-598	2.4-2.5	BS-1363	28 lbs. (13 kg)
GRS-42-I	100	600	6.0	NEMA 5-15P	32 lbs. (15 kg)
	120	600	5.0	NEMA 5-15P	32 lbs. (15 kg)
	220	548	2.5	CEE 7/7 Schuko	32 lbs. (15 kg)
	240	652	2.7	BS-1363	32 lbs. (15 kg)
	220-230 (CE)	548-600	2.5-2.6	CEE 7/7 Schuko	32 lbs. (15 kg)
	230-240 (CE)	600-652	2.6-2.7	BS-1363	32 lbs. (15 kg)
GRS-48-I	100	700	7.0	NEMA 5-15P	36 lbs. (16 kg)
	120	700	5.8	NEMA 5-15P	36 lbs. (16 kg)
	220	640	3.0	CEE 7/7 Schuko	36 lbs. (16 kg)
	240	760	3.2	BS-1363	36 lbs. (16 kg)
	220-230 (CE)	640-700	3.0-3.1	CEE 7/7 Schuko	36 lbs. (16 kg)
	230-240 (CE)	700-760	3.0-3.2	BS-1363	36 lbs. (16 kg)
GRS-54-I	100	800	8.0	NEMA 5-15P	42 lbs. (19 kg)
	120	800	6.7	NEMA 5-15P	42 lbs. (19 kg)
	220	732	3.3	CEE 7/7 Schuko	42 lbs. (19 kg)
	240	870	3.6	BS-1363	42 lbs. (19 kg)
	220-230 (CE)	732-800	3.3-3.5	CEE 7/7 Schuko	42 lbs. (19 kg)
	230-240 (CE)	800-870	3.5-3.6	BS-1363	42 lbs. (19 kg)
GRS-60-I	100	900	9.0	NEMA 5-15P	44 lbs. (20 kg)
	120	900	7.5	NEMA 5-15P	44 lbs. (20 kg)
	220	824	3.7	CEE 7/7 Schuko	44 lbs. (20 kg)
	240	980	4.1	BS-1363	44 lbs. (20 kg)
	220-230 (CE)	824-900	3.7-3.9	CEE 7/7 Schuko	44 lbs. (20 kg)
	230-240 (CE)	900-980	3.9-4.1	BS-1363	44 lbs. (20 kg)
GRS-66-I	100	1000	10.0	NEMA 5-15P	50 lbs. (23 kg)
	120	1000	8.3	NEMA 5-15P	50 lbs. (23 kg)
	220	916	4.2	CEE 7/7 Schuko	50 lbs. (23 kg)
	240	1088	4.5	BS-1363	50 lbs. (23 kg)
	220-230 (CE)	916-1000	4.2-4.3	CEE 7/7 Schuko	50 lbs. (23 kg)
	230-240 (CE)	1000-1088	4.3-4.5	BS-1363	50 lbs. (23 kg)
GRS-72-I	100	1100	11.0	NEMA 5-15P	56 lbs. (25 kg)
	120	1100	9.2	NEMA 5-15P	56 lbs. (25 kg)
	220	1008	4.6	CEE 7/7 Schuko	56 lbs. (25 kg)
	240	1196	5.0	BS-1363	56 lbs. (25 kg)
	220-230 (CE)	1008-1100	4.6-4.8	CEE 7/7 Schuko	56 lbs. (25 kg)
	230-240 (CE)	1100-1196	4.8-5.0	BS-1363	56 lbs. (25 kg)

The shaded areas contain electrical information for **International models only**.



## Electrical Rating Chart — Additional Depth GRS Models

Model	Voltage	Watts	Amps	Plug Configuration	Shipping Weight
GRS-18-A	120	100	0.8	NEMA 5-15P	16 lbs. (7 kg)
GRS-18-B	120	100	0.8	NEMA 5-15P	16 lbs. (7 kg)
GRS-18-C	120	125	1.0	NEMA 5-15P	16 lbs. (7 kg)
GRS-18-D	120	200	1.7	NEMA 5-15P	16 lbs. (7 kg)
GRS-18-E	120	200	1.7	NEMA 5-15P	16 lbs. (7 kg)
GRS-18-F	120	200	1.7	NEMA 5-15P	16 lbs. (7 kg)
GRS-18-G	120	225	1.9	NEMA 5-15P	16 lbs. (7 kg)
GRS-18-H	120	225	1.9	NEMA 5-15P	16 lbs. (7 kg)
GRS-18-J	120	300	2.5	NEMA 5-15P	16 lbs. (7 kg)
GRS-18-K	120	325	2.7	NEMA 5-15P	16 lbs. (7 kg)
GRS-18-L	120	350	2.9	NEMA 5-15P	16 lbs. (7 kg)
GRS-24-A	120	125	1.0	NEMA 5-15P	20 lbs. (9 kg)
GRS-24-B	120	125	1.0	NEMA 5-15P	20 lbs. (9 kg)
GRS-24-C	120	175	1.5	NEMA 5-15P	20 lbs. (9 kg)
GRS-24-D	120	250	2.1	NEMA 5-15P	20 lbs. (9 kg)
GRS-24-E	120	250	2.1	NEMA 5-15P	20 lbs. (9 kg)
GRS-24-F	120	250	2.1	NEMA 5-15P	20 lbs. (9 kg)
GRS-24-G	120	300	2.5	NEMA 5-15P	20 lbs. (9 kg)
GRS-24-H	120	300	2.5	NEMA 5-15P	20 lbs. (9 kg)
GRS-24-J	120	375	3.1	NEMA 5-15P	20 lbs. (9 kg)
GRS-24-K	120	425	3.5	NEMA 5-15P	20 lbs. (9 kg)
GRS-24-L	120	475	4.0	NEMA 5-15P	20 lbs. (9 kg)
GRS-30-A	120	150	1.3	NEMA 5-15P	25 lbs. (11 kg)
GRS-30-B	120	150	1.3	NEMA 5-15P	25 lbs. (11 kg)
GRS-30-C	120	225	1.9	NEMA 5-15P	25 lbs. (11 kg)
GRS-30-D	120	300	2.5	NEMA 5-15P	25 lbs. (11 kg)
GRS-30-E	120	300	2.5	NEMA 5-15P	25 lbs. (11 kg)
GRS-30-F	120	300	2.5	NEMA 5-15P	25 lbs. (11 kg)
GRS-30-G	120	375	3.1	NEMA 5-15P	25 lbs. (11 kg)
GRS-30-H	120	375	3.1	NEMA 5-15P	25 lbs. (11 kg)
GRS-30-J	120	450	3.8	NEMA 5-15P	25 lbs. (11 kg)
GRS-30-K	120	525	4.4	NEMA 5-15P	25 lbs. (11 kg)
GRS-30-L	120	600	5.0	NEMA 5-15P	25 lbs. (11 kg)
GRS-36-A	120	175	1.5	NEMA 5-15P	28 lbs. (13 kg)
GRS-36-B	120	175	1.5	NEMA 5-15P	28 lbs. (13 kg)
GRS-36-C	120	275	2.3	NEMA 5-15P	28 lbs. (13 kg)
GRS-36-D	120	350	2.9	NEMA 5-15P	28 lbs. (13 kg)
GRS-36-E	120	350	2.9	NEMA 5-15P	28 lbs. (13 kg)
GRS-36-F	120	350	2.9	NEMA 5-15P	28 lbs. (13 kg)
GRS-36-G	120	450	3.8	NEMA 5-15P	28 lbs. (13 kg)
GRS-36-H	120	450	3.8	NEMA 5-15P	28 lbs. (13 kg)
GRS-36-J	120	525	4.4	NEMA 5-15P	28 lbs. (13 kg)
GRS-36-K	120	625	5.2	NEMA 5-15P	28 lbs. (13 kg)
GRS-36-L	120	725	6.0	NEMA 5-15P	28 lbs. (13 kg)
GRS-42-A	120	225	1.9	NEMA 5-15P	32 lbs. (15 kg)
GRS-42-B	120	225	1.9	NEMA 5-15P	32 lbs. (15 kg)
GRS-42-C	120	300	2.5	NEMA 5-15P	32 lbs. (15 kg)
GRS-42-D	120	450	3.8	NEMA 5-15P	32 lbs. (15 kg)
GRS-42-E	120	450	3.8	NEMA 5-15P	32 lbs. (15 kg)
GRS-42-F	120	450	3.8	NEMA 5-15P	32 lbs. (15 kg)
GRS-42-G	120	525	4.4	NEMA 5-15P	32 lbs. (15 kg)
GRS-42-H	120	525	4.4	NEMA 5-15P	32 lbs. (15 kg)
GRS-42-J	120	675	5.6	NEMA 5-15P	32 lbs. (15 kg)
GRS-42-K	120	750	6.3	NEMA 5-15P	32 lbs. (15 kg)
GRS-42-L	120	825	6.9	NEMA 5-15P	32 lbs. (15 kg)

continued...

NOTE: The last letter in the above models indicate the following depths:

A = 6" (152 mm)	B = 7-3/4" (197 mm)	C = 9-3/4" (248 mm)	D = 12" (305 mm)
E = 13-3/4" (349 mm)	F = 15-1/2" (394 mm)	G = 15-3/4" (400 mm)	H = 17-1/2" (445 mm)
J = 21-1/2" (546 mm)	K = 23-1/2" (597 mm)	L = 25-1/2" (648 mm)	

## Electrical Rating Chart — Additional Depth GRS Models

Model	Voltage	Watts	Amps	Plug Configuration	Shipping Weight
GRS-48-A	120	250	2.1	NEMA 5-15P	36 lbs. (16 kg)
GRS-48-B	120	250	2.1	NEMA 5-15P	36 lbs. (16 kg)
GRS-48-C	120	350	2.9	NEMA 5-15P	36 lbs. (16 kg)
GRS-48-D	120	500	4.2	NEMA 5-15P	36 lbs. (16 kg)
GRS-48-E	120	500	4.2	NEMA 5-15P	36 lbs. (16 kg)
GRS-48-F	120	500	4.2	NEMA 5-15P	36 lbs. (16 kg)
GRS-48-G	120	600	5.0	NEMA 5-15P	36 lbs. (16 kg)
GRS-48-H	120	600	5.0	NEMA 5-15P	36 lbs. (16 kg)
GRS-48-J	120	750	6.3	NEMA 5-15P	36 lbs. (16 kg)
GRS-48-K	120	850	7.1	NEMA 5-15P	36 lbs. (16 kg)
GRS-48-L	120	950	7.9	NEMA 5-15P	36 lbs. (16 kg)
GRS-54-A	120	275	2.3	NEMA 5-15P	42 lbs. (19 kg)
GRS-54-B	120	275	2.3	NEMA 5-15P	42 lbs. (19 kg)
GRS-54-C	120	400	3.3	NEMA 5-15P	42 lbs. (19 kg)
GRS-54-D	120	550	4.6	NEMA 5-15P	42 lbs. (19 kg)
GRS-54-E	120	550	4.6	NEMA 5-15P	42 lbs. (19 kg)
GRS-54-F	120	550	4.6	NEMA 5-15P	42 lbs. (19 kg)
GRS-54-G	120	675	5.6	NEMA 5-15P	42 lbs. (19 kg)
GRS-54-H	120	675	5.6	NEMA 5-15P	42 lbs. (19 kg)
GRS-54-J	120	825	6.9	NEMA 5-15P	42 lbs. (19 kg)
GRS-54-K	120	950	7.9	NEMA 5-15P	42 lbs. (19 kg)
GRS-54-L	120	1075	9.0	NEMA 5-15P	42 lbs. (19 kg)
GRS-60-A	120	300	2.5	NEMA 5-15P	44 lbs. (20 kg)
GRS-60-B	120	300	2.5	NEMA 5-15P	44 lbs. (20 kg)
GRS-60-C	120	450	3.8	NEMA 5-15P	44 lbs. (20 kg)
GRS-60-D	120	600	5.0	NEMA 5-15P	44 lbs. (20 kg)
GRS-60-E	120	600	5.0	NEMA 5-15P	44 lbs. (20 kg)
GRS-60-F	120	600	5.0	NEMA 5-15P	44 lbs. (20 kg)
GRS-60-G	120	750	6.3	NEMA 5-15P	44 lbs. (20 kg)
GRS-60-H	120	750	6.3	NEMA 5-15P	44 lbs. (20 kg)
GRS-60-J	120	900	7.5	NEMA 5-15P	44 lbs. (20 kg)
GRS-60-K	120	1050	8.8	NEMA 5-15P	44 lbs. (20 kg)
GRS-60-L	120	1200	10.0	NEMA 5-15P	44 lbs. (20 kg)
GRS-66-A	120	325	2.7	NEMA 5-15P	50 lbs. (23 kg)
GRS-66-B	120	325	2.7	NEMA 5-15P	50 lbs. (23 kg)
GRS-66-C	120	500	4.2	NEMA 5-15P	50 lbs. (23 kg)
GRS-66-D	120	650	5.4	NEMA 5-15P	50 lbs. (23 kg)
GRS-66-E	120	650	5.4	NEMA 5-15P	50 lbs. (23 kg)
GRS-66-F	120	650	5.4	NEMA 5-15P	50 lbs. (23 kg)
GRS-66-G	120	825	6.9	NEMA 5-15P	50 lbs. (23 kg)
GRS-66-H	120	825	6.9	NEMA 5-15P	50 lbs. (23 kg)
GRS-66-J	120	975	8.1	NEMA 5-15P	50 lbs. (23 kg)
GRS-66-K	120	1150	9.6	NEMA 5-15P	50 lbs. (23 kg)
GRS-66-L	120	1325	11.0	NEMA 5-15P	50 lbs. (23 kg)
GRS-72-A	120	350	2.9	NEMA 5-15P	56 lbs. (25 kg)
GRS-72-B	120	350	2.9	NEMA 5-15P	56 lbs. (25 kg)
GRS-72-C	120	550	4.6	NEMA 5-15P	56 lbs. (25 kg)
GRS-72-D	120	700	5.8	NEMA 5-15P	56 lbs. (25 kg)
GRS-72-E	120	700	5.8	NEMA 5-15P	56 lbs. (25 kg)
GRS-72-F	120	700	5.8	NEMA 5-15P	56 lbs. (25 kg)
GRS-72-G	120	900	7.5	NEMA 5-15P	56 lbs. (25 kg)
GRS-72-H	120	900	7.5	NEMA 5-15P	56 lbs. (25 kg)
GRS-72-J	120	1050	8.8	NEMA 5-15P	56 lbs. (25 kg)
GRS-72-K	120	1250	10.4	NEMA 5-15P	56 lbs. (25 kg)
GRS-72-L	120	1450	12.0	NEMA 5-15P	56 lbs. (25 kg)

NOTE: The last letter in the above models indicate the following:

A = 6" (152 mm)	B = 7-3/4" (197 mm)	C = 9-3/4" (248 mm)	D = 12" (305 mm)
E = 13-3/4" (349 mm)	F = 15-1/2" (394 mm)	G = 15-3/4" (400 mm)	H = 17-1/2" (445 mm)
J = 21-1/2" (546 mm)	K = 23-1/2" (597 mm)	L = 25-1/2" (648 mm)	

## Electrical Rating Chart — Standard GRSB Models

Model	Voltage	Watts	Amps	Plug Configuration	Shipping Weight
GRSB-24-F	120	420	3.5	NEMA 5-15P	20 lbs. (9 kg)
	220	384	1.7	CEE 7/7 Schuko	20 lbs. (9 kg)
	240	458	1.9	BS-1363	20 lbs. (9 kg)
GRSB-24-I	100	550	5.5	NEMA 5-15P	22 lbs. (10 kg)
	120	550	4.6	NEMA 5-15P	22 lbs. (10 kg)
	220	550	2.5	CEE 7/7 Schuko	22 lbs. (10 kg)
	240	550	2.3	BS-1363	22 lbs. (10 kg)
	220-230 (CE)	550-601	2.5-2.6	CEE 7/7 Schuko	22 lbs. (10 kg)
	230-240 (CE)	505-550	2.2-2.3	BS-1363	22 lbs. (10 kg)
GRSB-24-O	120	790	6.6	NEMA 5-15P	26 lbs. (12 kg)
	220	722	3.3	CEE 7/7 Schuko	26 lbs. (12 kg)
	240	860	3.4	BS-1363	26 lbs. (12 kg)
GRSB-30-F	120	505	4.2	NEMA 5-15P	23 lbs. (10 kg)
	220	462	2.1	CEE 7/7 Schuko	23 lbs. (10 kg)
	240	550	2.3	BS-1363	23 lbs. (10 kg)
GRSB-30-I	100	665	6.7	NEMA 5-15P	25 lbs. (11 kg)
	120	665	5.6	NEMA 5-15P	25 lbs. (11 kg)
	220	665	3.0	CEE 7/7 Schuko	25 lbs. (11 kg)
	240	665	2.8	BS-1363	25 lbs. (11 kg)
	220-230 (CE)	665-727	3.0-3.2	CEE 7/7 Schuko	25 lbs. (11 kg)
	230-240 (CE)	661-665	2.7-2.8	BS-1363	25 lbs. (11 kg)
GRSB-30-O	120	950	7.9	NEMA 5-15P	28 lbs. (13 kg)
	220	916	4.2	CEE 7/7 Schuko	28 lbs. (13 kg)
	240	985	4.1	BS-1363	28 lbs. (13 kg)
GRSB-36-F	120	590	4.9	NEMA 5-15P	26 lbs. (12 kg)
	220	540	2.5	CEE 7/7 Schuko	26 lbs. (12 kg)
	240	642	2.7	BS-1363	26 lbs. (12 kg)
GRSB-36-I	100	780	7.8	NEMA 5-15P	29 lbs. (13 kg)
	120	780	6.5	NEMA 5-15P	29 lbs. (13 kg)
	220	780	3.5	CEE 7/7 Schuko	29 lbs. (13 kg)
	240	780	3.3	BS-1363	29 lbs. (13 kg)
	220-230 (CE)	780-853	3.5-3.7	CEE 7/7 Schuko	29 lbs. (13 kg)
	230-240 (CE)	716-780	3.1-3.3	BS-1363	29 lbs. (13 kg)
GRSB-36-O	120	1110	9.3	NEMA 5-15P	32 lbs. (15 kg)
	220	1110	5.0	CEE 7/7 Schuko	32 lbs. (15 kg)
	240	1110	4.6	BS-1363	32 lbs. (15 kg)
GRSB-42-F	120	685	5.7	NEMA 5-15P	29 lbs. (13 kg)
	220	627	2.9	CEE 7/7 Schuko	29 lbs. (13 kg)
	240	746	3.1	BS-1363	29 lbs. (13 kg)
GRSB-42-I	100	885	8.9	NEMA 5-15P	32 lbs. (15 kg)
	120	885	7.4	NEMA 5-15P	32 lbs. (15 kg)
	220	885	4.0	CEE 7/7 Schuko	32 lbs. (15 kg)
	240	885	3.7	BS-1363	32 lbs. (15 kg)
	220-230 (CE)	885-967	4.0-4.2	CEE 7/7 Schuko	32 lbs. (15 kg)
	230-240 (CE)	813-885	3.5-3.7	BS-1363	32 lbs. (15 kg)
GRSB-42-O	120	1270	10.6	NEMA 5-15P	35 lbs. (16 kg)
	220	1236	5.6	CEE 7/7 Schuko	35 lbs. (16 kg)
	240	1305	5.4	BS-1363	35 lbs. (16 kg)

The shaded areas contain electrical information for **International models only**.

*continued...*

## Electrical Rating Chart — Standard GRSB Models

Model	Voltage	Watts	Amps	Plug Configuration	Shipping Weight
GRSB-48-F	120	770	6.4	NEMA 5-15P	33 lbs. (15 kg)
	220	705	3.2	CEE 7/7 Schuko	33 lbs. (15 kg)
	240	828	3.5	BS-1363	33 lbs. (15 kg)
GRSB-48-I	100	1000	10.0	NEMA 5-15P	36 lbs. (16 kg)
	120	1000	8.3	NEMA 5-15P	36 lbs. (16 kg)
	220	1000	4.5	CEE 7/7 Schuko	36 lbs. (16 kg)
	240	1000	4.2	BS-1363	36 lbs. (16 kg)
	220-230 (CE)	1000-1093	4.5-4.7	CEE 7/7 Schuko	36 lbs. (16 kg)
	230-240 (CE)	918-1000	4.0-4.2	BS-1363	36 lbs. (16 kg)
GRSB-48-O	120	1430	11.9	NEMA 5-15P	39 lbs. (18 kg)
	220	1430	6.5	CEE 7/7 Schuko	39 lbs. (18 kg)
	240	1430	6.0	BS-1363	39 lbs. (18 kg)
GRSB-54-I	100	1110	11.1	NEMA 5-15P	43 lbs. (20 kg)
	120	1110	9.3	NEMA 5-15P	43 lbs. (20 kg)
	220	1110	5.0	CEE 7/7 Schuko	43 lbs. (20 kg)
	240	1110	4.6	BS-1363	43 lbs. (20 kg)
	220-230 (CE)	1110-1213	5.0-5.3	CEE 7/7 Schuko	43 lbs. (20 kg)
	230-240 (CE)	1019-1110	4.4-4.6	BS-1363	43 lbs. (20 kg)
GRSB-60-F	120	950	7.9	NEMA 5-15P	45 lbs. (20 kg)
	220	870	4.0	CEE 7/7 Schuko	45 lbs. (20 kg)
	240	1034	4.3	BS-1363	45 lbs. (20 kg)
GRSB-60-I	100	1220	12.2	NEMA 5-15P	50 lbs. (23 kg)
	120	1220	10.2	NEMA 5-15P	50 lbs. (23 kg)
	220	1220	5.5	CEE 7/7 Schuko	50 lbs. (23 kg)
	240	1220	5.1	BS-1363	50 lbs. (23 kg)
	220-230 (CE)	1220-1333	5.5-5.8	CEE 7/7 Schuko	50 lbs. (23 kg)
	230-240 (CE)	1120-1220	4.9-5.1	BS-1363	50 lbs. (23 kg)
GRSB-60-O	120	1750	14.6	NEMA 5-20P	54 lbs. (24 kg)
	220	1750	8.0	CEE 7/7 Schuko	54 lbs. (24 kg)
	240	1750	7.3	BS-1363	54 lbs. (24 kg)
GRSB-66-I	120	1330	11.1	NEMA 5-15P	54 lbs. (25 kg)
	220	1330	6.0	CEE 7/7 Schuko	54 lbs. (25 kg)
	240	1330	5.5	BS-1363	54 lbs. (25 kg)
	220-230 (CE)	1330-1454	6.0-6.3	CEE 7/7 Schuko	54 lbs. (25 kg)
	230-240 (CE)	1221-1330	5.3-5.5	BS-1363	54 lbs. (25 kg)
GRSB-72-F	120	1130	9.4	NEMA 5-15P	52 lbs. (24 kg)
	220	1034	4.7	CEE 7/7 Schuko	52 lbs. (24 kg)
	240	1230	5.1	BS-1363	52 lbs. (24 kg)
GRSB-72-I	120	1440	12.0	NEMA 5-15P	58 lbs. (26 kg)
	220	1440	6.5	CEE 7/7 Schuko	58 lbs. (26 kg)
	240	1440	6.0	BS-1363	58 lbs. (26 kg)
	220-230 (CE)	1440-1574	6.5-6.8	CEE 7/7 Schuko	58 lbs. (26 kg)
	230-240 (CE)	1322-1440	5.8-6.0	BS-1363	58 lbs. (26 kg)
GRSB-72-O	208	2070	10.0	NEMA 6-15P	64 lbs. (29 kg)
	240	2070	8.6	NEMA 6-15P	64 lbs. (29 kg)
	220	2070	9.4	CEE 7/7 Schuko	64 lbs. (29 kg)
	240	2070	8.6	BS-1363	64 lbs. (29 kg)

The shaded areas contain electrical information for **International models only**.

## Electrical Rating Chart — Standard GRSBF Models

Model	Voltage	Watts	Amps	Plug Configuration	Shipping Weight
GRSBF-18-F	120	330	2.8	NEMA 5-15P	15 lbs. (7 kg)
GRSBF-24-F	120	420	3.5	NEMA 5-15P	20 lbs. (9 kg)
GRSBF-24-I	100	550	5.5	NEMA 5-15P	22 lbs. (10 kg)
	120	550	4.6	NEMA 5-15P	22 lbs. (10 kg)
GRSBF-24-S	120	700	5.8	NEMA 5-15P	24 lbs. (11 kg)
	220	640	2.9	CEE 7/7 Schuko	24 lbs. (11 kg)
	240	762	3.2	BS-1363	24 lbs. (11 kg)
GRSBF-24-O	120	790	6.6	NEMA 5-15P	26 lbs. (12 kg)
GRSBF-30-F	120	505	4.2	NEMA 5-15P	23 lbs. (10 kg)
GRSBF-30-I	100	665	6.7	NEMA 5-15P	25 lbs. (11 kg)
	120	665	5.5	NEMA 5-15P	25 lbs. (11 kg)
GRSBF-30-S	120	825	6.9	NEMA 5-15P	26 lbs. (12 kg)
	220	755	3.4	CEE 7/7 Schuko	26 lbs. (12 kg)
	240	898	3.7	BS-1363	26 lbs. (12 kg)
GRSBF-30-O	120	950	7.9	NEMA 5-15P	28 lbs. (13 kg)
GRSBF-36-F	120	590	4.9	NEMA 5-15P	26 lbs. (12 kg)
GRSBF-36-I	100	780	7.8	NEMA 5-15P	28 lbs. (13 kg)
	120	780	6.5	NEMA 5-15P	28 lbs. (13 kg)
GRSBF-36-S	120	950	7.9	NEMA 5-15P	31 lbs. (15 kg)
	220	870	4.0	CEE 7/7 Schuko	31 lbs. (15 kg)
	240	1034	4.3	BS-1363	31 lbs. (15 kg)
GRSBF-36-O	120	1110	9.3	NEMA 5-15P	32 lbs. (15 kg)
	240	1110	4.6	NEMA 6-15P	32 lbs. (15 kg)
	220-230 (CE)	1110-1213	5.0-5.3	CEE 7/7 Schuko	32 lbs. (15 kg)
	230-240 (CE)	1020-1110	4.4-4.6	BS-1363	32 lbs. (15 kg)
GRSBF-42-F	120	685	5.7	NEMA 5-15P	29 lbs. (13 kg)
GRSBF-42-I	100	885	8.9	NEMA 5-15P	32 lbs. (15 kg)
	120	885	7.4	NEMA 5-15P	32 lbs. (15 kg)
GRSBF-42-S	120	1100	9.2	NEMA 5-15P	34 lbs. (15 kg)
	220	1006	4.6	CEE 7/7 Schuko	34 lbs. (15 kg)
	240	1198	5.0	BS-1363	34 lbs. (15 kg)
GRSBF-42-O	120	1270	10.6	NEMA 5-15P	35 lbs. (16 kg)
GRSBF-48-F	120	770	6.4	NEMA 5-15P	33 lbs. (15 kg)
GRSBF-48-I	100	1000	10.0	NEMA 5-15P	36 lbs. (16 kg)
	120	1000	8.3	NEMA 5-15P	36 lbs. (16 kg)
GRSBF-48-S	120	1225	10.2	NEMA 5-15P	38 lbs. (17 kg)
	220	1121	5.1	CEE 7/7 Schuko	38 lbs. (17 kg)
	240	1334	5.6	BS-1363	38 lbs. (17 kg)
GRSBF-48-O	120	1430	11.9	NEMA 5-15P	39 lbs. (18 kg)
	240	1430	6.0	NEMA 6-15P	39 lbs. (18 kg)
	220-230 (CE)	1430-1562	6.5-6.8	CEE 7/7 Schuko	39 lbs. (18 kg)
	230-240 (CE)	1313-1430	5.7-6.0	BS-1363	39 lbs. (18 kg)

The shaded areas contain electrical information for **International models only**.

*continued...*

**Electrical Rating Chart — Standard GRSBF Models**

Model	Voltage	Watts	Amps	Plug Configuration	Shipping Weight
GRSBF-60-F	120	950	7.9	NEMA 5-15P	45 lbs. (20 kg)
GRSBF-60-I	100	1220	12.2	NEMA 5-15P	50 lbs. (23 kg)
	120	1220	10.2	NEMA 5-15P	50 lbs. (23 kg)
GRSBF-60-S	120	1500	12.5	NEMA 5-20P	53 lbs. (24 kg)
	220	1372	6.2	CEE 7/7 Schuko	53 lbs. (24 kg)
	240	1634	6.8	BS-1363	53 lbs. (24 kg)
GRSBF-60-O	120	1750	14.6	NEMA 5-20P	54 lbs. (25 kg)
	240	1750	7.3	NEMA 6-15P	54 lbs. (25 kg)
	220-230 (CE)	1750-1912	8.0-8.3	CEE 7/7 Schuko	54 lbs. (25 kg)
	230-240 (CE)	1607-1750	7.0-7.3	BS-1363	54 lbs. (25 kg)
GRSBF-72-F	120	1130	9.4	NEMA 5-15P	52 lbs. (24 kg)
GRSBF-72-I	100	1440	14.4	NEMA 5-15P	58 lbs. (26 kg)
	120	1440	12.0	NEMA 5-15P	58 lbs. (26 kg)
GRSBF-72-S	120	1750	14.6	NEMA 5-20P	62 lbs. (28 kg)
	220	1602	7.3	CEE 7/7 Schuko	62 lbs. (28 kg)
	240	1906	7.9	BS-1363	62 lbs. (28 kg)
GRSBF-72-O	208	2070	10.0	NEMA 6-15P	64 lbs. (29 kg)
	240	2070	8.6	NEMA 6-15P	64 lbs. (29 kg)
	220-230 (CE)	2070-2262	9.4-9.8	CEE 7/7 Schuko	64 lbs. (29 kg)
	230-240 (CE)	1901-2070	8.3-8.6	BS-1363	64 lbs. (29 kg)

The shaded areas contain electrical information for **International models only**.

**INSTALLATION**

**General**

Use the following procedures to install the GRS, GRSB, and GRSBF units.



**WARNING**

**FIRE HAZARD:** Locate unit a minimum of 1" (25 mm) from combustible walls and materials. If safe distances are not maintained, discoloration or combustion could occur.



**CAUTION**

Locate unit at proper counter height in an area that is convenient for use. The location should be level to prevent unit or its contents from falling accidentally and strong enough to support the weight of unit and contents.

Do not operate built-in models without control box mounted properly as described in the installation instructions.

Do not operate unit without installing supplied legs.

The National Sanitation Foundation (NSF) requires that units over 36" (914 mm) in width or weighing more than 80 lbs. (36 kg) either be sealed to or raised above the installation surface. If unit cannot be sealed at the point of use, 4" (102 mm) legs are included to allow for proper cleaning access below unit.



**NOTICE**

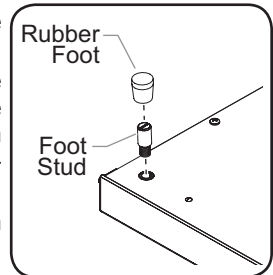
Do not operate unit prior to installing legs. Damage to unit could occur.

**GRS Models**

1. Remove the unit from the carton and place it upside down on the cardboard.

*NOTE:* To prevent delay in obtaining warranty coverage, complete online warranty registration. See the IMPORTANT OWNER INFORMATION section for details.

2. Install the 1" (25 mm) legs to the unit.
  - a. Thread a foot stud into the hole at each corner on the bottom of the unit. Tighten securely, but do not over-tighten.
  - b. Slip a rubber foot over each foot stud.



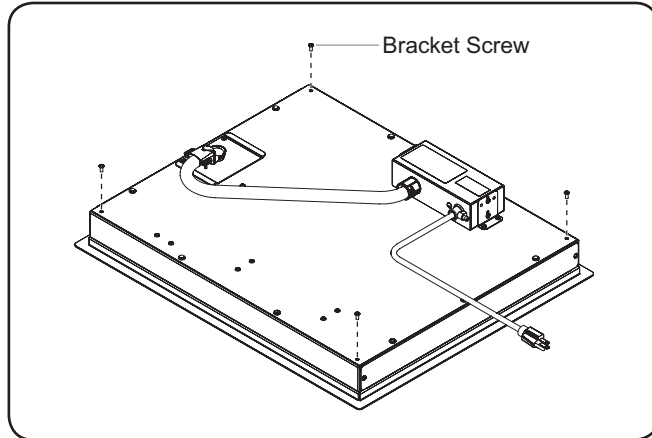
*NOTE:* If 4" (102 mm) legs are required, refer to the OPTIONS AND ACCESSORIES section in this manual for installation instructions.

3. Turn unit upright, and place unit in the desired location.
  - Locate the unit in an area where the ambient air temperature is constant and a minimum of 70° F (21° C). Avoid areas that may be subject to active air movements or currents (i.e., near exterior doors, exhaust fans/hoods, air conditioning ducts, etc...).
  - Make sure the unit is at the proper counter height in an area convenient for use.
  - Make sure the countertop is level and strong enough to support the weight of the unit and food product.
  - Make sure all the feet on the bottom of the unit are positioned securely on the countertop.

## GRSB and GRSBF Models

1. Remove the unit from the carton and place it upside down on the cardboard.

**NOTE:** To prevent delay in obtaining warranty coverage, complete online warranty registration. See the IMPORTANT OWNER INFORMATION section for details.



Underside of GRSB Models

2. Remove and save the bracket screws from the underside of the unit.

**NOTE:** The control box may be moved to the most convenient location on the underside of the unit. For semi-remote installations, leave the control box in place until the unit is placed into the countertop.

### NOTICE

Unit is designed and recommended for use in or on metallic countertops. Damage to any countertop material is not covered under the Hatco warranty. For other surfaces, verify with manufacturer that material is suitable for prolonged temperatures up to 200°F (93°C).

3. Prepare countertop opening. Refer to the appropriate "Countertop Cutout" chart on the following pages for recommended countertop cutout dimensions.
4. Apply a bead of NSF-approved sealant between the countertop material and the mounting flange on the unit. The sealant must be rated for use at a minimum temperature of 250°F (121°C).
5. Place the unit into the countertop opening.
6. Assemble the Z-brackets to the underside of the unit using the four bracket screws removed earlier in this procedure (refer to the illustrations on the following pages).

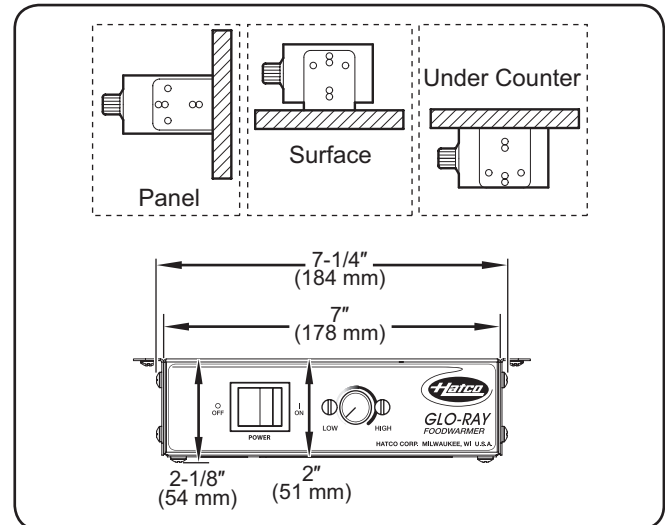
**NOTE:** Units 60" (1524 mm) or longer require two additional Z-brackets to be installed midway along the front and rear of the unit.

7. Adjust the mounting screws on the Z-brackets until the top flange lies flat on the countertop.

### NOTICE

Do not use excessive force when tightening mounting screws on built-in units. This may damage unit and/or countertop.

8. Remove any excess sealant.
9. If desired or necessary, the control box can be mounted in a semi-remote location.
  - a. Remove the control box from the bottom of the unit.
  - b. If necessary, remove the end brackets from the control box, rotate/reposition, and re-secure to the control box.
  - c. The control box can be panel, surface, under counter, or recess mounted.



Control Box Mounting Options

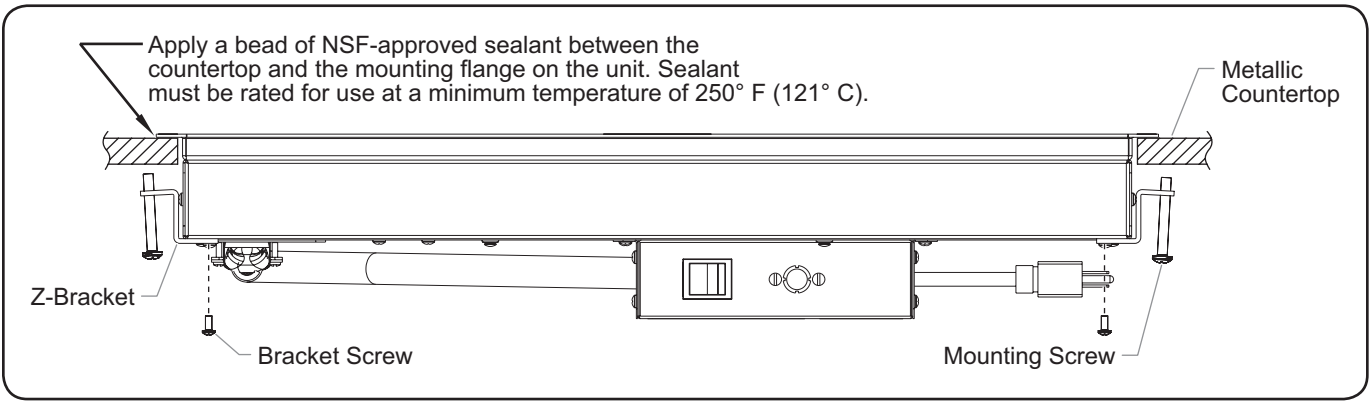
- d. The distance the control box can be mounted from the unit is determined by the 36" (914 mm) conduit. Do not pull the conduit tight to increase the mounting distance. The conduit should have some slack after the control box is mounted.

### NOTICE

Do not modify wiring or cut thermostat capillary on control enclosure to increase-remote mounting distance. Cutting thermostat capillary will cause unit to overheat and may damage unit as well as surrounding countertop.

10. Once all components are secured, proceed to the OPERATION section.

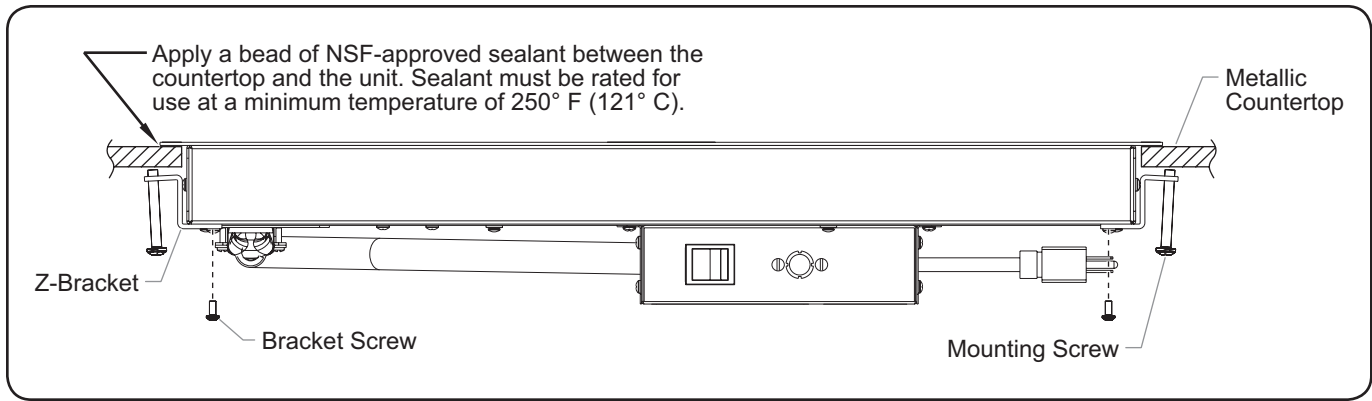
**NOTE:** A 6' (1829 mm) cord is supplied with this unit; any excess cord should be routed neatly so it does not hang down.



GRSB Model Installation

<b>Countertop Cutout — GRSB Models</b>				
<b>Model</b>	<b>Minimum Width</b>	<b>Maximum Width</b>	<b>Minimum Depth</b>	<b>Maximum Depth</b>
GRSB-24-F	24-1/2" (622 mm)	24-3/4" (629 mm)	16" (406 mm)	16-1/4" (413 mm)
GRSB-24-I	24-1/2" (622 mm)	24-3/4" (629 mm)	20" (508 mm)	20-1/4" (514 mm)
GRSB-24-O	24-1/2" (622 mm)	24-3/4" (629 mm)	30-1/2" (775 mm)	30-3/4" (781 mm)
GRSB-30-F	30-1/2" (775 mm)	30-3/4" (781 mm)	16" (406 mm)	16-1/4" (413 mm)
GRSB-30-I	30-1/2" (775 mm)	30-3/4" (781 mm)	20" (508 mm)	20-1/4" (514 mm)
GRSB-30-O	30-1/2" (775 mm)	30-3/4" (781 mm)	30-1/2" (775 mm)	30-3/4" (781 mm)
GRSB-36-F	36-1/2" (927 mm)	36-3/4" (934 mm)	16" (406 mm)	16-1/4" (413 mm)
GRSB-36-I	36-1/2" (927 mm)	36-3/4" (934 mm)	20" (508 mm)	20-1/4" (514 mm)
GRSB-36-O	36-1/2" (927 mm)	36-3/4" (934 mm)	30-1/2" (775 mm)	30-3/4" (781 mm)
GRSB-42-F	42-1/2" (1080 mm)	42-3/4" (1086 mm)	16" (406 mm)	16-1/4" (413 mm)
GRSB-42-I	42-1/2" (1080 mm)	42-3/4" (1086 mm)	20" (508 mm)	20-1/4" (514 mm)
GRSB-42-O	42-1/2" (1080 mm)	42-3/4" (1086 mm)	30-1/2" (775 mm)	30-3/4" (781 mm)
GRSB-48-F	48-1/2" (1232 mm)	48-3/4" (1238 mm)	16" (406 mm)	16-1/4" (413 mm)
GRSB-48-I	48-1/2" (1232 mm)	48-3/4" (1238 mm)	20" (508 mm)	20-1/4" (514 mm)
GRSB-48-O	48-1/2" (1232 mm)	48-3/4" (1238 mm)	30-1/2" (775 mm)	30-3/4" (781 mm)
GRSB-54-I	54-1/2" (1384 mm)	54-3/4" (1391 mm)	20" (508 mm)	20-1/4" (514 mm)
GRSB-60-F	60-1/2" (1537 mm)	60-3/4" (1543 mm)	16" (406 mm)	16-1/4" (413 mm)
GRSB-60-I	60-1/2" (1537 mm)	60-3/4" (1543 mm)	20" (508 mm)	20-1/4" (514 mm)
GRSB-60-O	60-1/2" (1537 mm)	60-3/4" (1543 mm)	30-1/2" (775 mm)	30-3/4" (781 mm)
GRSB-66-I	66-1/2" (1689 mm)	66-3/4" (1696 mm)	20" (508 mm)	20-1/4" (514 mm)
GRSB-72-F	72-1/2" (1842 mm)	72-3/4" (1848 mm)	16" (406 mm)	16-1/4" (413 mm)
GRSB-72-I	72-1/2" (1842 mm)	72-3/4" (1848 mm)	20" (508 mm)	20-1/4" (514 mm)
GRSB-72-O	72-1/2" (1842 mm)	72-3/4" (1848 mm)	30-1/2" (775 mm)	30-3/4" (781 mm)





GRSBF Model Installation

**Countertop Cutout — GRSBF Models**

Model	Minimum Width	Maximum Width	Minimum Depth	Maximum Depth
GRSBF-18-F	18-1/2" (470 mm)	18-3/4" (476 mm)	16" (406 mm)	16-1/4" (413 mm)
GRSBF-24-F	24-1/2" (622 mm)	24-3/4" (629 mm)	16" (406 mm)	16-1/4" (413 mm)
GRSBF-24-I	24-1/2" (622 mm)	24-3/4" (629 mm)	20" (508 mm)	20-1/4" (514 mm)
GRSBF-24-S	24-1/2" (622 mm)	24-3/4" (629 mm)	24-1/2" (622 mm)	24-3/4" (629 mm)
GRSBF-24-O	24-1/2" (622 mm)	24-3/4" (629 mm)	30-1/2" (775 mm)	30-3/4" (781 mm)
GRSBF-30-F	30-1/2" (775 mm)	30-3/4" (781 mm)	16" (406 mm)	16-1/4" (413 mm)
GRSBF-30-I	30-1/2" (775 mm)	30-3/4" (781 mm)	20" (508 mm)	20-1/4" (514 mm)
GRSBF-30-S	30-1/2" (775 mm)	30-3/4" (781 mm)	24-1/2" (622 mm)	24-3/4" (629 mm)
GRSBF-30-O	30-1/2" (775 mm)	30-3/4" (781 mm)	30-1/2" (775 mm)	30-3/4" (781 mm)
GRSBF-36-F	36-1/2" (927 mm)	36-3/4" (934 mm)	16" (406 mm)	16-1/4" (413 mm)
GRSBF-36-I	36-1/2" (927 mm)	36-3/4" (934 mm)	20" (508 mm)	20-1/4" (514 mm)
GRSBF-36-S	36-1/2" (927 mm)	36-3/4" (934 mm)	24-1/2" (622 mm)	24-3/4" (629 mm)
GRSBF-36-O	36-1/2" (927 mm)	36-3/4" (934 mm)	30-1/2" (775 mm)	30-3/4" (781 mm)
GRSBF-42-F	42-1/2" (1080 mm)	42-3/4" (1086 mm)	16" (406 mm)	16-1/4" (413 mm)
GRSBF-42-I	42-1/2" (1080 mm)	42-3/4" (1086 mm)	20" (508 mm)	20-1/4" (514 mm)
GRSBF-42-S	42-1/2" (1080 mm)	42-3/4" (1086 mm)	24-1/2" (622 mm)	24-3/4" (629 mm)
GRSBF-42-O	42-1/2" (1080 mm)	42-3/4" (1086 mm)	30-1/2" (775 mm)	30-3/4" (781 mm)
GRSBF-48-F	48-1/2" (1232 mm)	48-3/4" (1238 mm)	16" (406 mm)	16-1/4" (413 mm)
GRSBF-48-I	48-1/2" (1232 mm)	48-3/4" (1238 mm)	20" (508 mm)	20-1/4" (514 mm)
GRSBF-48-S	48-1/2" (1232 mm)	48-3/4" (1238 mm)	24-1/2" (622 mm)	24-3/4" (629 mm)
GRSBF-48-O	48-1/2" (1232 mm)	48-3/4" (1238 mm)	30-1/2" (775 mm)	30-3/4" (781 mm)
GRSBF-60-F	60-1/2" (1537 mm)	60-3/4" (1543 mm)	16" (406 mm)	16-1/4" (413 mm)
GRSBF-60-I	60-1/2" (1537 mm)	60-3/4" (1543 mm)	20" (508 mm)	20-1/4" (514 mm)
GRSBF-60-S	60-1/2" (1537 mm)	60-3/4" (1543 mm)	24-1/2" (622 mm)	24-3/4" (629 mm)
GRSBF-60-O	60-1/2" (1537 mm)	60-3/4" (1543 mm)	30-1/2" (775 mm)	30-3/4" (781 mm)
GRSBF-72-F	72-1/2" (1842 mm)	72-3/4" (1848 mm)	16" (406 mm)	16-1/4" (413 mm)
GRSBF-72-I	72-1/2" (1842 mm)	72-3/4" (1848 mm)	20" (508 mm)	20-1/4" (514 mm)
GRSBF-72-S	72-1/2" (1842 mm)	72-3/4" (1848 mm)	24-1/2" (622 mm)	24-3/4" (629 mm)
GRSBF-72-O	72-1/2" (1842 mm)	72-3/4" (1848 mm)	30-1/2" (775 mm)	30-3/4" (781 mm)

## General

Use the following procedure to turn on and operate the GRS, GRSB, and GRSBF units.



### WARNING

Read all safety messages in the IMPORTANT SAFETY INFORMATION section before operating this equipment.

1. Plug unit into a properly grounded electrical receptacle of the correct voltage, size, and plug configuration. Refer to the SPECIFICATIONS section in this manual for details.
2. Move the Power On/Off (I/O) switch to the On (I) position.



### CAUTION

**BURN HAZARD: Some exterior surfaces on unit will get hot. Use caution when touching these areas.**

3. Turn the thermostat control to the desired temperature setting.

*NOTE: Turning the thermostat control knob clockwise will increase the temperature setting. Turning the thermostat control knob counterclockwise will decrease the temperature setting.*

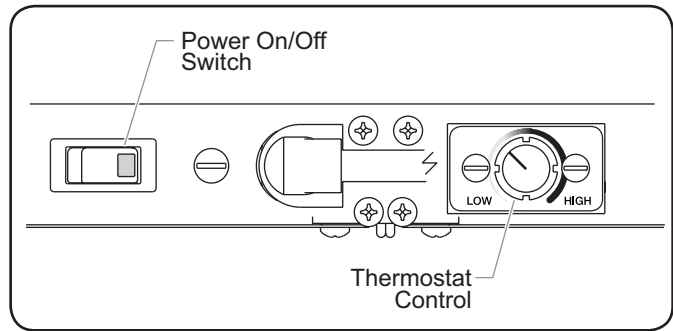
4. Allow the unit 30 minutes to reach operating temperature



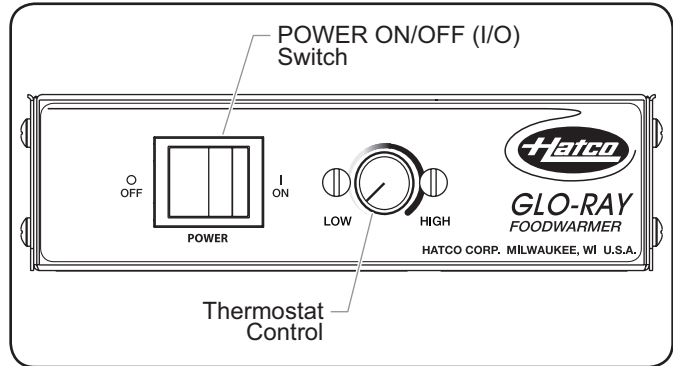
### NOTICE

**Do not slide pans across hardcoat surface, use rough-bottomed pans, or drop anything on hardcoat surface. Scratching may occur. Damage to hardcoat surface caused by misuse is not covered under warranty.**

*NOTE: Refer to the OPTIONS AND ACCESSORIES section for installation and operation information for GRSB and GRSBF units equipped with a flush-style remote mounted control enclosure.*



Control Panel — GRS Model



Control Panel — GRSB and GRSBF Models

## General

Hatco Glo-Ray Heated Shelf units are designed for maximum durability and performance with minimum maintenance.

### WARNING

#### ELECTRIC SHOCK HAZARD:

- Turn OFF power switch, unplug power cord, and allow unit to cool before performing any cleaning, adjustments, or maintenance.
- DO NOT submerge or saturate with water. Unit is not waterproof. Do not operate if unit has been submerged or saturated with water.
- This unit is not “jet-proof” construction. Do not use jet-clean spray to clean this unit.
- Do not steam clean or use excessive water on unit.
- Use only Genuine Hatco Replacement Parts when service is required. Failure to use Genuine Hatco Replacement Parts will void all warranties and may subject operators of the equipment to hazardous electrical voltage, resulting in electrical shock or burn. Genuine Hatco Replacement Parts are specified to operate safely in the environments in which they are used. Some aftermarket or generic replacement parts do not have the characteristics that will allow them to operate safely in Hatco equipment.

### WARNING

This unit has no “user-serviceable” parts. If service is required on this unit, contact an Authorized Hatco Service Agent or contact the Hatco Service Department at 800-558-0607 or 414-671-6350; fax 800-690-2966; or International fax 414-671-3976.

## Daily Cleaning

To preserve the finish of the Glo-Ray Heated Shelf, it is recommended that all surfaces be cleaned daily

### NOTICE

**Use non-abrasive cleaners and cloths only. Abrasive cleaners and cloths could scratch the finish of the unit, marring its appearance and making it susceptible to soil accumulation.**

1. Turn off the unit, unplug the power cord, and allow the unit to cool.
2. Remove and wash all food pans, if necessary.
3. Wipe down all metal surfaces with a non-abrasive, damp cloth. Stubborn stains may be removed with a good stainless steel or non-abrasive cleaner. Clean hard to reach areas using a small brush and mild soap.
4. Wipe dry all surfaces using a non-abrasive, dry cloth.



**WARNING**

This unit must be serviced by qualified personnel only. Service by unqualified personnel may lead to electric shock or burn.



**WARNING**

**ELECTRIC SHOCK HAZARD:** Turn OFF power switch, unplug power cord, and allow unit to cool before performing any cleaning, adjustments, or maintenance.

Symptom	Probable Cause	Corrective Action
Unit too hot.	Thermostat control set too high.	Adjust thermostat control to a lower setting.
	Thermostat control stuck in the "on" position.	Contact Authorized Service Agent or Hatco for assistance.
	Unit plugged into an incorrect power supply.	Verify with qualified personnel that power supply matches unit specification.
Unit not hot enough.	Thermostat control set too low.	Adjust thermostat control to a higher setting.
	Location of unit is susceptible to air currents (air conditioning ducts or exhaust fans).	Block air currents or relocate unit.
Unit not working at all.	Unit not plugged in.	Plug unit into proper power supply.
	Unit not turned on.	Move Power On/Off (I/O) switch to the On (I) position.
	Power On/Off (I/O) switch is not functioning.	Contact Authorized Service Agent or Hatco for assistance.
	Heating element is burned out.	Contact Authorized Service Agent or Hatco for assistance.
	Thermostat control is defective.	Contact Authorized Service Agent or Hatco for assistance.

### Troubleshooting Questions?

If you continue to have problems resolving an issue, please contact the nearest Authorized Hatco Service Agency or Hatco for assistance. To locate the nearest Service Agency, log onto the Hatco website at [www.hatcocorp.com](http://www.hatcocorp.com) and click on *Find Service Agent*, or contact the **Hatco Parts and Service Team** at:

**Telephone:** 800-558-0607 or 414-671-6350

**e-mail:** [partsandservice@hatcocorp.com](mailto:partsandservice@hatcocorp.com)

**Fax:** 800-690-2966 or 414-671-3976

**4" (102 mm) Adjustable Legs (GRS Models)**

Use the following procedure to install 4" adjustable legs on a GRS model.

*NOTE: 4" (102 mm) legs are standard on models 42" (1067 mm) and wider.*

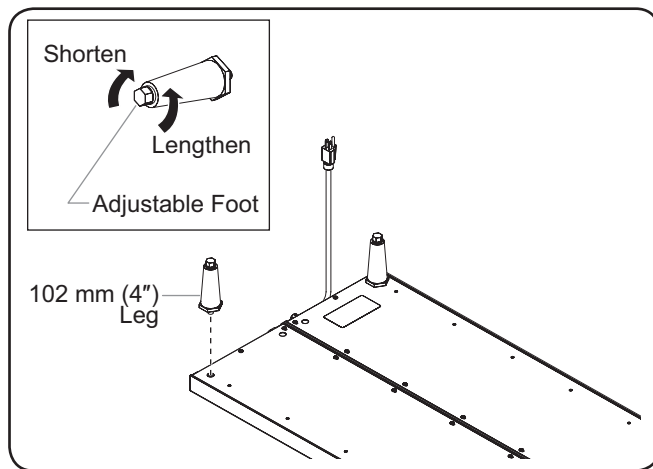
1. Turn off the unit, unplug the power cord, and allow the unit to cool.

**NOTICE**

**Do not lay unit on the side with the control panel. Damage to unit could occur.**

2. Carefully turn the unit upside down and lay the unit on a flat surface. Make sure to cover the surface with something to prevent scratching the unit.
3. At each corner, thread a 4" leg into the bottom of the unit. Hand-tighten until snug. Do not over-tighten.
4. Return the unit to the upright position.

*NOTE: The feet on the 4" legs are adjustable for leveling the unit. Use a 9/16" (14 mm) open-end wrench to make leveling adjustments once the unit is placed in its final position.*



Leg Installation

**Rubber Feet (GRS Models)**

Rubber feet are available as accessories and are 3/8" (10 mm) in height. Rubber feet allow the shelf to be closer to the countertop.

## Remote Mounted Control Enclosures (GRSB and GRSBF models)

Two flush-style remote mounted control enclosures are available for the GRSB and GRSBF units — the mechanical Thermostat Control enclosure and the digital Indicating Temperature Control (ITC) enclosure. Both control enclosures are installed using the following procedure.



**ELECTRIC SHOCK HAZARD:** Remote control enclosure must be mounted on vertical wall and installed in vertical position. Mounting remote control enclosure in horizontal position may result in collection of liquids and lead to electric shock.



Do not install remote mounted control enclosure within direct exposure to heat. Exposing the control enclosure to direct heat will cause the control(s) to overheat, malfunction, and fail.

Do not modify wiring or cut thermostat capillary on control enclosure to increase semi-remote mounting distance. Cutting thermostat capillary will cause unit to overheat and may damage unit as well as surrounding countertop.

*NOTE: A qualified electrician is recommended for connecting the units to a power source.*

1. Prepare cutout and pre-drill screw holes (see illustration below for dimensions).
2. Remove trim cover from control enclosure.
3. Position control enclosure into opening through the backside.
4. Secure control enclosure to surface using screws (not supplied).
5. Connect proper power source to the mounted remote control enclosure.
6. Reinstall the trim cover. Seal the trim cover to the mounting surface with silicone adhesive.

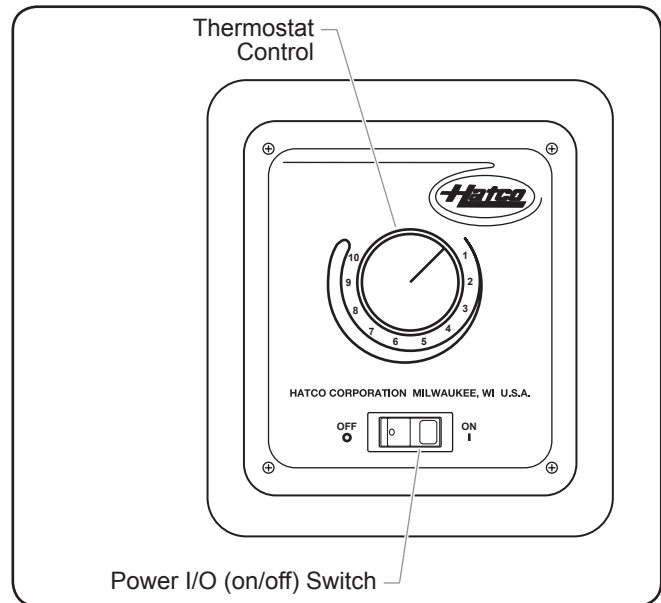
*NOTE: Units are equipped with a 36" (914 mm) flexible conduit connecting the control enclosure to the unit. Optional conduit lengths of 6' (1829 mm) and 10' (3048 mm) are also available for digital temperature controller only.*

### Power I/O (on/off) Switch

Both flush-style remote mounted control enclosures are equipped with a Power I/O (on/off) switch. Move the Power I/O (on/off) switch to the I (on) position to turn on the unit. The indicator light in the switch glows when the unit is on.

### Changing the Setpoint Temperature — Mechanical Temperature Control

Turn the temperature control clockwise to increase the setpoint temperature. Turn the temperature control counterclockwise to decrease the setpoint temperature.



Mechanical Temperature Control

Front View of Cutout

**IMPORTANT NOTE:**  
Make sure the installation location provides enough room for electrical connections to the control enclosure.

Side View of Installed Enclosure

Remote Mounted Control Enclosure Installation Dimensions

### Changing the Setpoint Temperature — Digital Temperature Controller

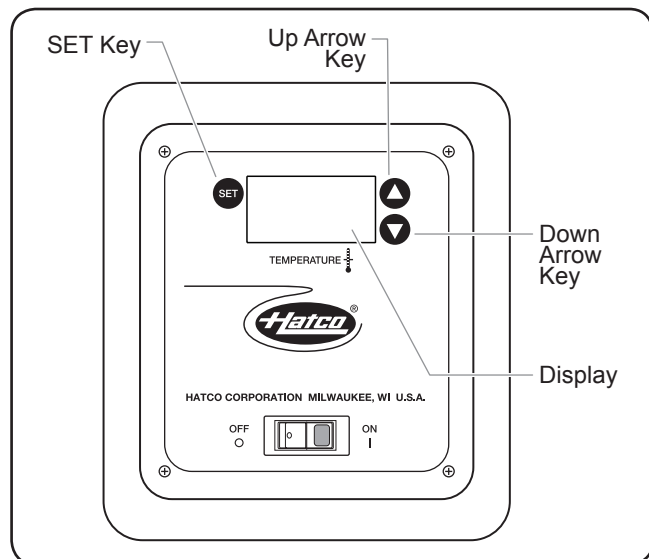
Units equipped with a digital temperature controller will heat up to the setpoint temperature automatically when they are turned on. Use the following procedure to change the setpoint temperature.

*NOTE: The temperature shown on the display may be inaccurate when unit temperature is below 130°F (54°C).*

If the programming sequence is interrupted before completing the last step, the changed values will not be accepted into memory.

1. Press the **SET** key three times. The current setpoint temperature will be shown on the TEMPERATURE display ("SP" will be displayed after the second press).
2. Press the **▲** key or **▼** key within 10 seconds to change the setpoint temperature.
3. Press the **SET** key to lock in the new setpoint temperature. The TEMPERATURE display will go blank for two seconds to show that the new setting has been accepted.

*NOTE: After 10 seconds of inactivity during the programming process, the controller will exit programming mode automatically without saving any changes.*



Digital Temperature Controller

### Changing Fahrenheit and Celsius Setting — Digital Temperature Controller

Use the following procedure to change between Fahrenheit and Celsius on the display.

1. Press the **SET** key once. Either an "F" for Fahrenheit or "C" for Celsius will be displayed.
2. Press the **▲** key or **▼** key within 10 seconds to change between "F" (Fahrenheit) and "C" (Celsius).
3. Press the **SET** key three times to lock in the new setting. The TEMPERATURE display will go blank for two seconds to show that the new setting has been accepted.

*NOTE: After 10 seconds of inactivity during the programming process, the controller will exit programming mode automatically without saving any changes.*

## 1. PRODUCT WARRANTY

Hatco warrants the products that it manufactures (the "Products") to be free from defects in materials and workmanship, under normal use and service, for a period of one (1) year from the date of purchase when installed and maintained in accordance with Hatco's written instructions or 18 months from the date of shipment from Hatco. Buyer must establish the Product's purchase date by registering the Product with Hatco or by other means satisfactory to Hatco in its sole discretion.

Hatco warrants the following Product components to be free from defects in materials and workmanship from the date of purchase (subject to the foregoing conditions) for the period(s) of time and on the conditions listed below:

- a) **One (1) Year Parts and Labor PLUS One (1) Additional Year Parts-Only Warranty:**
  - Conveyor Toaster Elements (metal sheathed)
  - Drawer Warmer Elements (metal sheathed)
  - Drawer Warmer Drawer Rollers and Slides
  - Strip Heater Elements (metal sheathed)
  - Display Warmer Elements (metal sheathed air heating)
  - Holding Cabinet Elements (metal sheathed air heating)
  - Heated Well Elements — HW and HWB Series (metal sheathed)
- b) **One (1) Year Parts and Labor PLUS Four (4) Years Parts-Only Warranty:**
  - 3CS and FR Tanks
- c) **One (1) Year Parts and Labor PLUS Nine (9) Years Parts-Only Warranty on:**
  - Electric Booster Heater Tanks
  - Gas Booster Heater Tanks
- d) **Ninety (90) Day Parts-Only Warranty:**
  - Replacement Parts

THE FOREGOING WARRANTIES ARE EXCLUSIVE AND IN LIEU OF ANY OTHER WARRANTY, EXPRESSED OR IMPLIED, INCLUDING BUT NOT LIMITED TO ANY IMPLIED WARRANTY OF MERCHANTABILITY OR FITNESS FOR A PARTICULAR PURPOSE OR PATENT OR OTHER INTELLECTUAL PROPERTY RIGHT INFRINGEMENT. Without limiting the generality of the foregoing, SUCH WARRANTIES DO NOT COVER: Coated incandescent light bulbs, fluorescent lights, heat lamp bulbs, coated halogen light bulbs, halogen heat lamp bulbs, xenon light bulbs, LED light tubes, glass components, and fuses; Product failure in booster tank, fin tube heat exchanger, or other water heating equipment caused by liming, sediment buildup, chemical attack, or freezing; or Product misuse, tampering or misapplication, improper installation, or application of improper voltage.

## 2. LIMITATION OF REMEDIES AND DAMAGES

Hatco's liability and Buyer's exclusive remedy hereunder will be limited solely, at Hatco's option, to repair or replacement using new or refurbished parts or Product by Hatco or a Hatco-authorized service agency (other than where Buyer is located outside of the United States, Canada, United Kingdom, or Australia, in which case Hatco's liability and Buyer's exclusive remedy hereunder will be limited solely to replacement of part under warranty) with respect to any claim made within the applicable warranty period referred to above. Hatco reserves the right to accept or reject any such claim in whole or in part. In the context of this Limited Warranty, "refurbished" means a part or Product that has been returned to its original specifications by Hatco or a Hatco-authorized service agency. Hatco will not accept the return of any Product without prior written approval from Hatco, and all such approved returns shall be made at Buyer's sole expense. HATCO WILL NOT BE LIABLE, UNDER ANY CIRCUMSTANCES, FOR CONSEQUENTIAL OR INCIDENTAL DAMAGES, INCLUDING BUT NOT LIMITED TO LABOR COSTS OR LOST PROFITS RESULTING FROM THE USE OF OR INABILITY TO USE THE PRODUCTS OR FROM THE PRODUCTS BEING INCORPORATED IN OR BECOMING A COMPONENT OF ANY OTHER PRODUCT OR GOODS.



<b>Informations Importantes pour le Propriétaire .....</b>	<b>25</b>	<b>Installation.....</b>	<b>38</b>
<b>Introduction.....</b>	<b>25</b>	Généralités .....	38
<b>Consignes de Sécurité Importantes .....</b>	<b>26</b>	Modèles GRS .....	38
<b>Description du Modèle.....</b>	<b>27</b>	Modèles GR SB et GR SBF .....	39
<b>Désignation du Modèle .....</b>	<b>27</b>	<b>Mode d'emploi .....</b>	<b>42</b>
<b>Caractéristiques Techniques .....</b>	<b>28</b>	Généralités .....	42
Configuration des Fiches.....	28	<b>Maintenance.....</b>	<b>43</b>
Dimensions — Modèles GRS.....	28	Nettoyage quotidien.....	43
Dimensions — Modèles GR SB .....	29	<b>Guide de Dépannage.....</b>	<b>44</b>
Dimensions — Modèles GR SBF .....	30	<b>Options et accessoires .....</b>	<b>44</b>
Tableau des valeurs nominales électriques — GRS.....	31	<b>Garantie Limitée .....</b>	<b>47</b>
Tableau des valeurs nominales électriques — GR SB .....	35		
Tableau des valeurs nominales électriques — GR SBF .....	37		

## INFORMATIONS IMPORTANTES POUR LE PROPRIÉTAIRE

Notez le numéro de modèle, le numéro de série, la tension et la date d'achat de l'appareil dans les espaces ci-dessous (étiquette des caractéristiques située en bas des modèles GRS ou en bas du boîtier de contrôle des modèles GR SB et GR SBF). Veuillez avoir cette information à portée de la main si vous appelez Hatco pour assistance.

Modèle No. \_\_\_\_\_

Numéro de série \_\_\_\_\_

Voltage \_\_\_\_\_

Date d'achat \_\_\_\_\_

### Enregistrez votre appareil!

- Remplissez la garantie en ligne pour éviter les retards pour faire jouer la garantie. Accédez au site Web Hatco [www.hatcocorp.com](http://www.hatcocorp.com), sélectionnez le menu déroulant Parts & Service, puis cliquez sur Warranty Registration.

Horaires

ouvrables: 7h00 à 17h00  
 Heure du Centre des États-Unis (CST)  
 (Horaires d'été : juin à septembre—  
 7h00 à 17h00 CST du lundi au jeudi  
 7h00 à 16h00 CST le vendredi)

Téléphone : 800-558-0607; 414-671-6350

Courriel : [partsandservice@hatcocorp.com](mailto:partsandservice@hatcocorp.com)

Télécopieur : 800-690-2966 (Pièces et Service après-vente)  
 414-671-3976 (International)



Service d'assistance et de pièces de rechange disponible 7j/7, 24h/24 aux États-Unis et au Canada en composant le 800-558-0607.

Des renseignements supplémentaires sont disponibles sur notre site Web à [www.hatcocorp.com](http://www.hatcocorp.com).

## INTRODUCTION

Les rayonnages chauffants Glo-Ray Hatco sont conçus pour garder les aliments préparés chauds dans une cuisine, une station de serveur ou un point de service de clients. Le rayonnement chauffant Glo-Ray garde l'ensemble des aliments à une température de service optimale sans en affecter la qualité. Ce dispositif de réchauffage possède une base chauffante contrôlée par un thermostat en vue d'augmenter les périodes d'attente pour la plupart des aliments.

Les rayonnages chauffants Glo-Ray sont le produit de recherches et de tests sur le terrain intensifs. Les matériaux utilisés ont été sélectionnés pour une durabilité maximale, une apparence attractive et des performances optimales. Chaque appareil est soigneusement inspecté et testé avant expédition.

Ce manuel fournit des instructions pour l'entretien, l'utilisation et le fonctionnement des réchauffeurs de bande de Glo-Ray. Hatco vous recommande de lire l'ensemble des instructions d'installation, de sécurité et de fonctionnement contenues dans ce manuel avant d'installer et d'utiliser l'appareil.

Les consignes de sécurité qui apparaissent dans ce manuel sont identifiées par les mots indicateurs suivants :

### AVERTISSEMENT

**AVERTISSEMENT** indique une situation dangereuse qui, si elle n'est pas évitée, peut provoquer la mort ou des blessures graves.

### ATTENTION

**ATTENTION** indique une situation dangereuse qui, si elle n'est pas évitée, peut provoquer des blessures légères ou moyennes.

### AVIS

**AVIS** est utilisé pour des questions sans rapport avec des blessures corporelles.



**Lisez l'information de sécurité importante suivante avant d'utiliser cet équipement pour éviter des dommages ou la mort sérieux et pour éviter d'endommager l'équipement ou la propriété.**

## **AVERTISSEMENT**

### **DANGER DE DÉCHARGE ÉLECTRIQUE :**

- Branchez l'unité à une prise correctement reliée à la terre et possédant le voltage, la dimension et la configuration adéquats. Si la fiche et la prise ne correspondent pas, contactez un électricien qualifié afin de déterminer et d'installer une prise électrique possédant la taille et la tension adéquate.
- Mettez l'unité hors tension depuis l'interrupteur, débranchez le cordon d'alimentation et laissez l'unité refroidir avant d'effectuer tout nettoyage, tout réglage ou tout entretien.
- **NE PAS immerger l'appareil ni le saturer d'eau.** L'appareil n'est pas étanche à l'eau. Ne pas le faire fonctionner s'il a été immergé ou saturé d'eau.
- L'appareil n'est pas à l'épreuve des intempéries. Placer l'appareil à l'intérieur à une température ambiante de 21°C minimum.
- Ne tirez pas l'unité par le cordon d'alimentation.
- Interrompez l'utilisation de l'unité si le cordon d'alimentation est effiloché ou usé.
- N'essayez jamais de réparer ou de remplacer un cordon d'alimentation. Celui-ci devra être remplacé par Hatco, un agent de service agréé par Hatco ou une personne possédant des qualifications similaires.
- Ne pas nettoyer à la vapeur ni utiliser trop d'eau sur l'appareil.
- Cet appareil n'est pas étanche aux jets. Ne pas utiliser de jet sous pression pour nettoyer l'appareil.
- Ne pas nettoyer l'appareil lorsqu'il est sous tension.
- Cet appareil doit uniquement être réparé par un personnel qualifié. Toute réparation par un personnel non qualifié peut entraîner une électrocution et des brûlures.
- Le boîtier de contrôle à distance doit être installé en position verticale sur un mur vertical. Si le boîtier de contrôle à distance est installé en position horizontale, du liquide risque de s'accumuler à l'intérieur et provoquer une décharge électrique.
- Pour les réparations, utiliser exclusivement des pièces de rechange Hatco d'origine. Utilisez des pièces détachées Hatco authentiques sous peine d'annuler toutes les garanties et d'exposer l'utilisateur à des tensions électriques dangereuses pouvant entraîner une électrocution ou des brûlures. Les pièces de rechange Hatco d'origine sont conçues pour fonctionner sans danger dans les environnements dans lesquels elles sont utilisées. Certaines pièces de rechange génériques ou de second marché ne présentent pas les caractéristiques leur permettant de fonctionner sans danger dans la matériel Hatco.

**DANGER D'INCENDIE :** Placez l'unité à au moins 25 mm (1 po) des murs combustibles et des produits. Si les distances de sécurité ne sont pas respectées, une décoloration ou combustion peut avoir lieu.

Cet appareil ne doit pas être utilisé par des enfants ou des personnes avec des capacités physiques, sensorielles ou mentales diminuées. Assurez-vous que les enfants sont bien surveillés et tenez-les à l'écart de l'appareil.

S'assurer que le produit alimentaire a été chauffé à une température adaptée au maintien de sa salubrité avant de le mettre dans l'appareil sous peine de risques graves pour la santé. Cet appareil est destiné au maintien au chaud de produits alimentaires préchauffés uniquement.

Assurez-vous que tous les opérateurs ont été formés à l'utilisation sûre et correcte de l'appareil.

## **AVERTISSEMENT**

Cet appareil ne contient aucune pièce réparable par l'utilisateur. Si cet appareil doit être réparé, contacter un réparateur Hatco agréé ou le Service après-vente Hatco au +1 800-558-0607 ou +1 414-671-6350 ; télécopieur +1 800-690-2966; télécopieur internationale +1 414-671-3976.

## **ATTENTION**

**DANGER DE BRÛLURE :** Certaines surfaces extérieures de l'appareil deviennent chaudes. Toucher ces zones de l'appareil avec précaution.

Placez l'unité à une hauteur adaptée au comptoir, à un emplacement pratique à utiliser. L'emplacement doit être plan pour éviter que l'unité ou son contenu ne tombe accidentellement, et suffisamment solide pour supporter le poids de l'unité et de son contenu.

Ne faites pas fonctionner les modèles intégrés si le boîtier de contrôle n'est pas installé conformément aux instructions d'installation.

Ne faites pas fonctionner l'appareil sans avoir installé les pieds fournis.

La National Sanitation Foundation (NSF) exige que les appareils mesurant plus de 914 mm (36") de largeur et pesant plus de 36 kg (80 lbs.) soient hermétiquement fixés ou rehaussés sur la surface d'installation. Si l'unité ne peut pas être fixée à l'endroit d'utilisation, des pieds de 102 mm (4") sont fournis pour permettre le nettoyage du dessous de l'unité.

## **AVIS**

L'appareil est conçu et recommandé pour une utilisation sur ou dans des comptoirs métalliques. Les dommages subis par le matériau de comptoir ne sont pas couverts par la garantie Hatco. Pour d'autres surfaces, assurez-vous que le matériau est adapté à des températures pouvant atteindre 93°C (200°F).

Ne modifiez pas le câblage et ne coupez pas le câble capillaire du thermostat du boîtier de contrôle pour augmenter la distance d'installation de la commande à distance. Si vous coupez le câble capillaire du thermostat, cela risque de provoquer une surchauffe et des dommages à l'appareil ainsi qu'au comptoir.

N'exercez pas une force excessive lors du serrage des vis de montage des appareils intégrés. Cela risquerait d'endommager l'appareil et/ou le comptoir.

Ne couchez pas l'unité sur le côté comportant le panneau de commande. L'unité pourrait être endommagée.

Utiliser uniquement des produits nettoyants non abrasifs. Les produits nettoyants abrasifs peuvent rayer la finition de l'appareil, ce qui altère son apparence et le rend plus susceptible d'accumuler la saleté.

Installez le boîtier de contrôle distant hors de la zone chauffée. Si vous placez le boîtier de contrôle dans la zone chauffée, cela pourrait provoquer des surchauffes, des dysfonctionnements ou des défaillances des commandes.

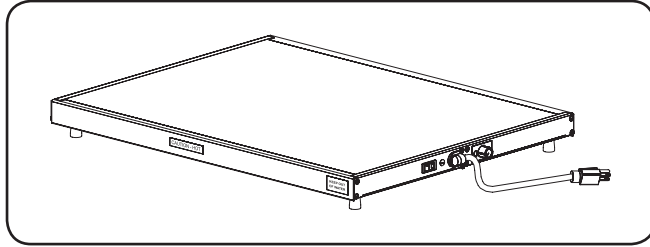
Ne faites pas glisser de casseroles sur les surfaces à revêtement dur, n'utilisez pas de casseroles avec revêtement à fond dur et ne laissez rien tomber sur les surfaces à couche dure. Cela pourrait rayer votre équipement. Les dommages causés sur les surfaces à revêtement dur dus à une mauvaise utilisation ne sont pas couverts par la garantie.

Ne placez pas l'appareil dans un endroit où la circulation de l'air est trop forte. évitez les zones pouvant être soumises à des mouvements d'air ou à des courants d'air actifs (comme à proximité de ventilateurs d'échappement/de hottes d'aspiration, de conduites de climatisation et de portes extérieures).

**Modèles GRS**

Le rayonnage chauffant GRS est idéal pour les régions de transit, les lignes de buffets ou comme étagère de travail chauffante. Il possède un interrupteur marche-arrêt avec témoin, un thermostat ajustable, et un cordon d'alimentation de 1829 mm (6'). Des éléments chauffants distribuent la chaleur sous l'intégralité de la surface en acier inoxydable ou de la surface en aluminium.

L'ensemble des modèles GRS sont expédiés totalement assemblés et prêts à l'emploi.



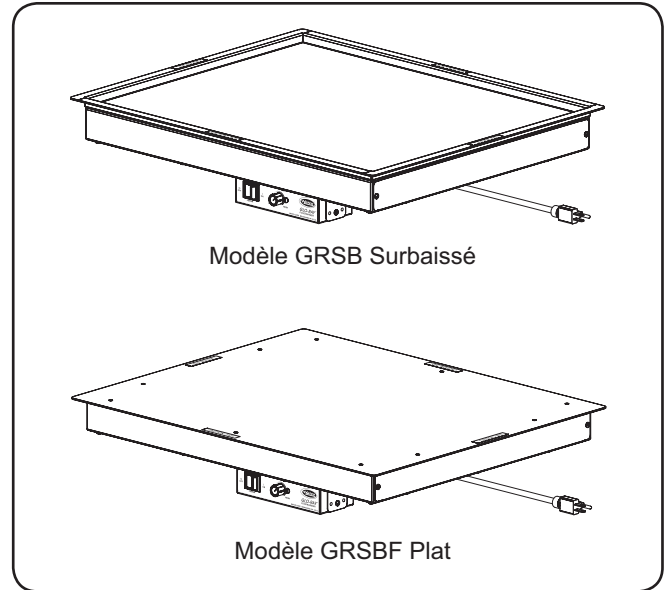
Modèles GRS

**Modèles GRSB et GRSBF**

Les rayonnages chauffants GRSB et GRSBF possèdent une surface en aluminium et un élément chauffant intégral pour une distribution uniforme de la chaleur. Idéal pour un passe plat, buffet ou lignes de cafétéria et autres régions self-service. Le modèle GRSB possède une surface surbaissée. Le modèle GRSBF possède une surface plate.

Un conduit flexible de 914 mm (3') contient les fils entre l'appareil et le boîtier de contrôle. Le boîtier de contrôle possède un thermostat ayant une étendue de 27° à 93°C (80° à 200°F), un interrupteur marche-arrêt avec témoin et des attaches de montage. Le boîtier de contrôle peut être installé jusqu'à 914 mm (3') de l'appareil. Un cordon de 1 829 mm (6') avec fiche est attaché au boîtier de commande.

Le rebord de 19 mm (3/4") présent permet d'encaster l'appareil sur un comptoir. Le rayonnage est facile à nettoyer avec un chiffon doux humide ou un nettoyant non-abrasif. L'ensemble des modèles GRSB et GRSBF sont expédiés totalement assemblés et prêts à l'emploi.



Modèle GRSB Surbaissé

Modèle GRSBF Plat

Modèles GRSB et GRSBF

**DÉSIGNATION DU MODÈLE**

**G R S B F - XX - F**

<p>Glo-Ray</p> <p>Rayonnage Chauffant</p> <p>B = Intégré</p> <p>Aucun caractère = Debout Libre</p> <p>F = Plat</p> <p>Aucun caractère = Top Encastré</p> <p>Largeur du Modèle (Pouces)</p>	<p>Profondeur Chauffants</p> <p><b>Modèles GRS</b></p> <p>I = 495 mm (19-1/2")</p> <p>A = 152 mm (6")</p> <p>B = 197 mm (7-3/4")</p> <p>C = 248 mm (9-3/4")</p> <p>D = 305 mm (12")</p> <p>E = 349 mm (13-3/4")</p> <p>F = 394 mm (15-1/2")</p> <p>G = 400 mm (15-3/4")</p> <p>H = 445 mm (17-1/2")</p> <p>J = 546 mm (21-1/2")</p> <p>K = 597 mm (23-1/2")</p> <p>L = 648 mm (25-1/2")</p>	<p><b>Modèles GRSB</b></p> <p>F = 394 mm (15-1/2")</p> <p>I = 495 mm (19-1/2")</p> <p>O = 762 mm (30")</p> <p><b>Modèles GRSBF</b></p> <p>F = 432 mm (17")</p> <p>I = 533 mm (21")</p> <p>S = 648 mm (25-1/2")</p> <p>O = 800 mm (31-1/2")</p>
--	---	--

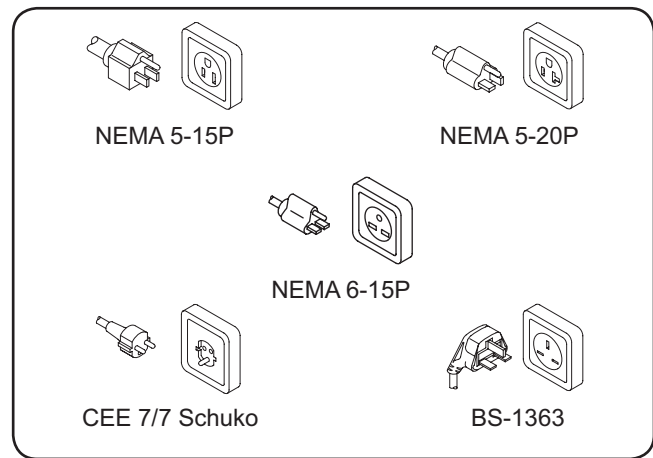
## Configuration des fiches

Un cordon de 1 826 mm (6') et une fiche d'alimentation peuvent être installés en usine, en option, pour certaines unités.

### ⚠ AVERTISSEMENT

**DANGER DE DÉCHARGE ÉLECTRIQUE:** Brancher l'appareil sur une prise de courant avec terre de tension, de format et de configuration des broches corrects. Si la fiche et la prise ne se correspondent pas, s'adresser à un électricien qualifié pour déterminer et installer une prise de courant de format et de tension corrects.

*NOTA:* L'étiquette des caractéristiques se situe en bas sur les modèles GRS et en bas du boîtier de contrôle sur les modèles GRSB et GRSBF. Consultez l'étiquette pour connaître le numéro de série et les éléments de vérification de l'appareil électrique.



Configuration des fiches

*NOTA:* Prise non fournie par Hatco.

## Dimensions — Modèles GRS

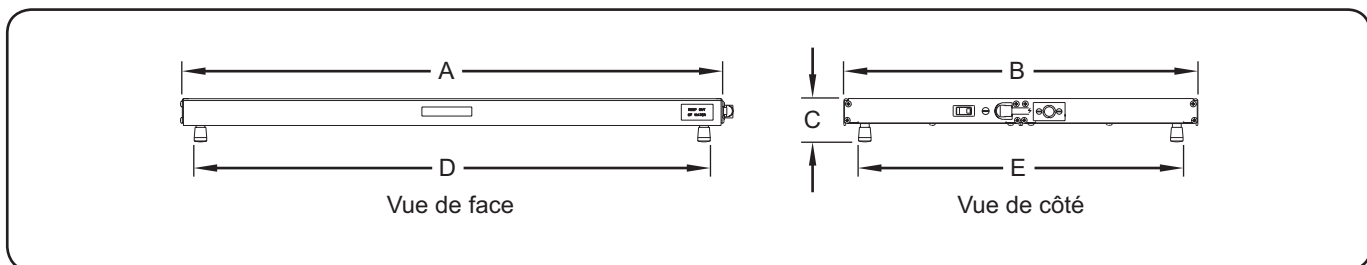
Modèle	Largeur (A)	Profondeur (B)	Hauteur (C)	Empattement Largeur (D)	Empattement Profondeur (E)
GRS-18-I	457 mm (18")	495 mm (19-1/2")	57 mm (2-1/4")†	425 mm (16-3/4")	457 mm (18")
GRS-24-I	610 mm (24")	495 mm (19-1/2")	57 mm (2-1/4")†	578 mm (16-3/4")	457 mm (18")
GRS-30-I	762 mm (30")	495 mm (19-1/2")	57 mm (2-1/4")†	730 mm (16-3/4")	457 mm (18")
GRS-36-I	914 mm (36")	495 mm (19-1/2")	57 mm (2-1/4")†	883 mm (16-3/4")	457 mm (18")
GRS-42-I	1067 mm (42")	495 mm (19-1/2")	133 mm (5-1/4")*	1035 mm (16-3/4")	457 mm (18")
GRS-48-I	1219 mm (48")	495 mm (19-1/2")	133 mm (5-1/4")*	1187 mm (16-3/4")	457 mm (18")
GRS-54-I	1372 mm (54")	495 mm (19-1/2")	133 mm (5-1/4")*	1340 mm (16-3/4")	457 mm (18")
GRS-60-I	1524 mm (60")	495 mm (19-1/2")	133 mm (5-1/4")*	1492 mm (16-3/4")	457 mm (18")
GRS-66-I	1676 mm (66")	495 mm (19-1/2")	133 mm (5-1/4")*	1645 mm (16-3/4")	457 mm (18")
GRS-72-I	1829 mm (72")	495 mm (19-1/2")	133 mm (5-1/4")*	1797 mm (16-3/4")	457 mm (18")

† La hauteur comprend les pieds de 25 mm (1")

\* La hauteur comprend les pieds de 102 mm (4")

*NotA:* Tous les modèles mentionnés ci-dessus ont une profondeur standard de 495 mm (19-1/2"). Les autres profondeurs disponibles sont :

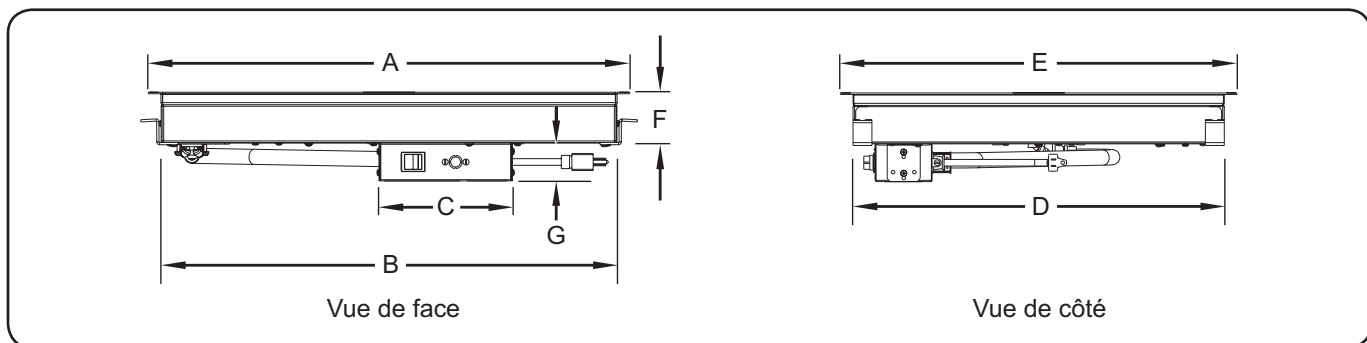
A = 152 mm (6")      B = 197 mm (7-3/4")      C = 248 mm (9-3/4")      D = 305 mm (12")  
 E = 349 mm (13-3/4")      F = 394 mm (15-1/2")      G = 400 mm (15-3/4")      H = 445 mm (17-1/2")  
 J = 546 mm (21-1/2")      K = 597 mm (23-1/2")      L = 648 mm (25-1/2")



Dimensions — Modèles GRS

Dimensions — Modèles GRSB

Modèle	Largeur Totale (A)	Largeur Chauffée (B)	Largeur du Boîtier de Contrôle (C)	Profondeur Chauffée (D)	Profondeur Totale (E)	Hauteur (F)	Hauteur du Boîtier de Contrôle (G)
GRSB-24-F	648 mm (25-1/2")	610 mm (24")	184 mm (7-1/4")	394 mm (15-1/2")	432 mm (17")	73 mm (2-7/8")	54 mm (2-1/8")
GRSB-24-I	648 mm (25-1/2")	610 mm (24")	184 mm (7-1/4")	495 mm (19-1/2")	533 mm (21")	73 mm (2-7/8")	54 mm (2-1/8")
GRSB-24-O	648 mm (25-1/2")	610 mm (24")	184 mm (7-1/4")	762 mm (30")	800 mm (31-1/2")	73 mm (2-7/8")	54 mm (2-1/8")
GRSB-30-F	800 mm (31-1/2")	762 mm (30")	184 mm (7-1/4")	394 mm (15-1/2")	432 mm (17")	73 mm (2-7/8")	54 mm (2-1/8")
GRSB-30-I	800 mm (31-1/2")	762 mm (30")	184 mm (7-1/4")	495 mm (19-1/2")	533 mm (21")	73 mm (2-7/8")	54 mm (2-1/8")
GRSB-30-O	800 mm (31-1/2")	762 mm (30")	184 mm (7-1/4")	762 mm (30")	800 mm (31-1/2")	73 mm (2-7/8")	54 mm (2-1/8")
GRSB-36-F	953 mm (37-1/2")	914 mm (36")	184 mm (7-1/4")	394 mm (15-1/2")	432 mm (17")	73 mm (2-7/8")	54 mm (2-1/8")
GRSB-36-I	953 mm (37-1/2")	914 mm (36")	184 mm (7-1/4")	495 mm (19-1/2")	533 mm (21")	73 mm (2-7/8")	54 mm (2-1/8")
GRSB-36-O	953 mm (37-1/2")	914 mm (36")	184 mm (7-1/4")	762 mm (30")	800 mm (31-1/2")	73 mm (2-7/8")	54 mm (2-1/8")
GRSB-42-F	1105 mm (43-1/2")	1067 mm (42")	184 mm (7-1/4")	394 mm (15-1/2")	432 mm (17")	73 mm (2-7/8")	54 mm (2-1/8")
GRSB-42-I	1105 mm (43-1/2")	1067 mm (42")	184 mm (7-1/4")	495 mm (19-1/2")	533 mm (21")	73 mm (2-7/8")	54 mm (2-1/8")
GRSB-42-O	1105 mm (43-1/2")	1067 mm (42")	184 mm (7-1/4")	762 mm (30")	800 mm (31-1/2")	73 mm (2-7/8")	54 mm (2-1/8")
GRSB-48-F	1257 mm (49-1/2")	1219 mm (48")	184 mm (7-1/4")	394 mm (15-1/2")	432 mm (17")	73 mm (2-7/8")	54 mm (2-1/8")
GRSB-48-I	1257 mm (49-1/2")	1219 mm (48")	184 mm (7-1/4")	495 mm (19-1/2")	533 mm (21")	73 mm (2-7/8")	54 mm (2-1/8")
GRSB-48-O	1257 mm (49-1/2")	1219 mm (48")	184 mm (7-1/4")	762 mm (30")	800 mm (31-1/2")	73 mm (2-7/8")	54 mm (2-1/8")
GRSB-54-I	1410 mm (55-1/2")	1372 mm (54")	184 mm (7-1/4")	495 mm (19-1/2")	533 mm (21")	73 mm (2-7/8")	54 mm (2-1/8")
GRSB-60-F	1562 mm (61-1/2")	1524 mm (60")	184 mm (7-1/4")	394 mm (15-1/2")	432 mm (17")	73 mm (2-7/8")	54 mm (2-1/8")
GRSB-60-I	1562 mm (61-1/2")	1524 mm (60")	184 mm (7-1/4")	495 mm (19-1/2")	533 mm (21")	73 mm (2-7/8")	54 mm (2-1/8")
GRSB-60-O	1562 mm (61-1/2")	1524 mm (60")	184 mm (7-1/4")	762 mm (30")	800 mm (31-1/2")	73 mm (2-7/8")	54 mm (2-1/8")
GRSB-66-I	1715 mm (67-1/2")	1676 mm (66")	184 mm (7-1/4")	495 mm (19-1/2")	533 mm (21")	73 mm (2-7/8")	54 mm (2-1/8")
GRSB-72-F	1867 mm (73-1/2")	1829 mm (72")	184 mm (7-1/4")	394 mm (15-1/2")	432 mm (17")	73 mm (2-7/8")	54 mm (2-1/8")
GRSB-72-I	1867 mm (73-1/2")	1829 mm (72")	184 mm (7-1/4")	495 mm (19-1/2")	533 mm (21")	73 mm (2-7/8")	54 mm (2-1/8")
GRSB-72-O	1867 mm (73-1/2")	1829 mm (72")	184 mm (7-1/4")	762 mm (30")	800 mm (31-1/2")	73 mm (2-7/8")	54 mm (2-1/8")



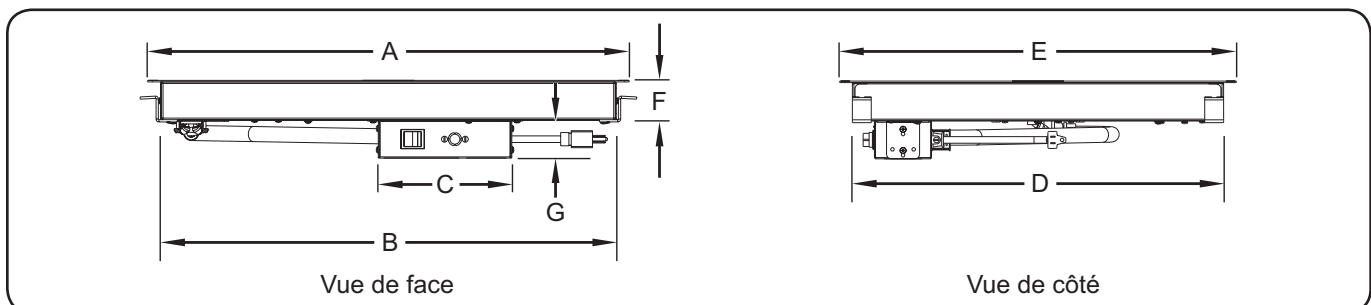
Dimensions — Modèles GRSB

**AVIS**

Se référer à la section d'installation de ce manuel pour les véritables dimensions de découpage de plan de travail.

## Dimensions — Modèles GRSBF

Modèle	Largeur Totale (A)	Largeur Chauffée (B)	Largeur du Boîtier de Contrôle (C)	Profondeur Chauffée (D)	Profondeur Totale (E)	Hauteur (F)	Hauteur du Boîtier de Contrôle (G)
GRSBF-18-F	495 mm (19-1/2")	460 mm (18")	184 mm (7-1/4")	394 mm (15-1/2")	432 mm (17")	57 mm (2-1/4")	54 mm (2-1/8")
GRSBF-24-F	648 mm (25-1/2")	610 mm (24")	184 mm (7-1/4")	394 mm (15-1/2")	432 mm (17")	57 mm (2-1/4")	54 mm (2-1/8")
GRSBF-24-I	648 mm (25-1/2")	610 mm (24")	184 mm (7-1/4")	495 mm (19-1/2")	533 mm (21")	57 mm (2-1/4")	54 mm (2-1/8")
GRSBF-24-S	648 mm (25-1/2")	610 mm (24")	184 mm (7-1/4")	460 mm (24")	648 mm (25-1/2")	57 mm (2-1/4")	54 mm (2-1/8")
GRSBF-24-O	648 mm (25-1/2")	610 mm (24")	184 mm (7-1/4")	762 mm (30")	800 mm (31-1/2")	57 mm (2-1/4")	54 mm (2-1/8")
GRSBF-30-F	800 mm (31-1/2")	762 mm (30")	184 mm (7-1/4")	394 mm (15-1/2")	432 mm (17")	57 mm (2-1/4")	54 mm (2-1/8")
GRSBF-30-I	800 mm (31-1/2")	762 mm (30")	184 mm (7-1/4")	495 mm (19-1/2")	533 mm (21")	57 mm (2-1/4")	54 mm (2-1/8")
GRSBF-30-S	800 mm (31-1/2")	762 mm (30")	184 mm (7-1/4")	460 mm (24")	648 mm (25-1/2")	57 mm (2-1/4")	54 mm (2-1/8")
GRSBF-30-O	800 mm (31-1/2")	762 mm (30")	184 mm (7-1/4")	762 mm (30")	800 mm (31-1/2")	57 mm (2-1/4")	54 mm (2-1/8")
GRSBF-36-F	953 mm (37-1/2")	914 mm (36")	184 mm (7-1/4")	394 mm (15-1/2")	432 mm (17")	57 mm (2-1/4")	54 mm (2-1/8")
GRSBF-36-I	953 mm (37-1/2")	914 mm (36")	184 mm (7-1/4")	495 mm (19-1/2")	533 mm (21")	57 mm (2-1/4")	54 mm (2-1/8")
GRSBF-36-S	953 mm (37-1/2")	914 mm (36")	184 mm (7-1/4")	460 mm (24")	648 mm (25-1/2")	57 mm (2-1/4")	54 mm (2-1/8")
GRSBF-36-O	953 mm (37-1/2")	914 mm (36")	184 mm (7-1/4")	762 mm (30")	800 mm (31-1/2")	57 mm (2-1/4")	54 mm (2-1/8")
GRSBF-42-F	1105 mm (43-1/2")	1067 mm (42")	184 mm (7-1/4")	394 mm (15-1/2")	432 mm (17")	57 mm (2-1/4")	54 mm (2-1/8")
GRSBF-42-I	1105 mm (43-1/2")	1067 mm (42")	184 mm (7-1/4")	495 mm (19-1/2")	533 mm (21")	57 mm (2-1/4")	54 mm (2-1/8")
GRSBF-42-S	1105 mm (43-1/2")	1067 mm (42")	184 mm (7-1/4")	460 mm (24")	648 mm (25-1/2")	57 mm (2-1/4")	54 mm (2-1/8")
GRSBF-42-O	1105 mm (43-1/2")	1067 mm (42")	184 mm (7-1/4")	762 mm (30")	800 mm (31-1/2")	57 mm (2-1/4")	54 mm (2-1/8")
GRSBF-48-F	1257 mm (49-1/2")	1219 mm (48")	184 mm (7-1/4")	394 mm (15-1/2")	432 mm (17")	57 mm (2-1/4")	54 mm (2-1/8")
GRSBF-48-I	1257 mm (49-1/2")	1219 mm (48")	184 mm (7-1/4")	495 mm (19-1/2")	533 mm (21")	57 mm (2-1/4")	54 mm (2-1/8")
GRSBF-48-S	1257 mm (49-1/2")	1219 mm (48")	184 mm (7-1/4")	460 mm (24")	648 mm (25-1/2")	57 mm (2-1/4")	54 mm (2-1/8")
GRSBF-48-O	1257 mm (49-1/2")	1219 mm (48")	184 mm (7-1/4")	762 mm (30")	800 mm (31-1/2")	57 mm (2-1/4")	54 mm (2-1/8")
GRSBF-60-F	1562 mm (61-1/2")	1524 mm (60")	184 mm (7-1/4")	394 mm (15-1/2")	432 mm (17")	57 mm (2-1/4")	54 mm (2-1/8")
GRSBF-60-I	1562 mm (61-1/2")	1524 mm (60")	184 mm (7-1/4")	495 mm (19-1/2")	533 mm (21")	57 mm (2-1/4")	54 mm (2-1/8")
GRSBF-60-S	1562 mm (61-1/2")	1524 mm (60")	184 mm (7-1/4")	460 mm (24")	648 mm (25-1/2")	57 mm (2-1/4")	54 mm (2-1/8")
GRSBF-60-O	1562 mm (61-1/2")	1524 mm (60")	184 mm (7-1/4")	762 mm (30")	800 mm (31-1/2")	57 mm (2-1/4")	54 mm (2-1/8")
GRSBF-72-F	1867 mm (73-1/2")	1829 mm (72")	184 mm (7-1/4")	394 mm (15-1/2")	432 mm (17")	57 mm (2-1/4")	54 mm (2-1/8")
GRSBF-72-I	1867 mm (73-1/2")	1829 mm (72")	184 mm (7-1/4")	495 mm (19-1/2")	533 mm (21")	57 mm (2-1/4")	54 mm (2-1/8")
GRSBF-72-S	1867 mm (73-1/2")	1829 mm (72")	184 mm (7-1/4")	460 mm (24")	648 mm (25-1/2")	57 mm (2-1/4")	54 mm (2-1/8")
GRSBF-72-O	1867 mm (73-1/2")	1829 mm (72")	184 mm (7-1/4")	762 mm (30")	800 mm (31-1/2")	57 mm (2-1/4")	54 mm (2-1/8")



Dimensions — Modèles GRSBF

**Tableau des valeurs nominales électriques —  
Standard 495 mm (19-1/2") Modèles Profondeur de GRS**

Modèle†	Tension	Intensité	Amps	Configuration de Fiches	Poids d'embarquement
GRS-18-I	100	250	2.5	NEMA 5-15P	7 kg (16 lbs.)
	120	250	2.1	NEMA 5-15P	7 kg (16 lbs.)
	220	228	1.0	CEE 7/7 Schuko	7 kg (16 lbs.)
	240	272	1.1	BS-1363	7 kg (16 lbs.)
	220–230 (CE)	228–250	1.0–1.1	CEE 7/7 Schuko	7 kg (16 lbs.)
	230–240 (CE)	250–272	1.0–1.1	BS-1363	7 kg (16 lbs.)
GRS-24-I	100	350	3.5	NEMA 5-15P	9 kg (20 lbs.)
	120	350	2.9	NEMA 5-15P	9 kg (20 lbs.)
	220	320	1.5	CEE 7/7 Schuko	9 kg (20 lbs.)
	240	380	1.6	BS-1363	9 kg (20 lbs.)
	220–230 (CE)	320–350	1.5–1.6	CEE 7/7 Schuko	9 kg (20 lbs.)
	230–240 (CE)	350–380	1.5–1.6	BS-1363	9 kg (20 lbs.)
GRS-30-I	100	450	4.5	NEMA 5-15P	11 kg (25 lbs.)
	120	450	3.8	NEMA 5-15P	11 kg (25 lbs.)
	220	412	1.9	CEE 7/7 Schuko	11 kg (25 lbs.)
	240	490	2.0	BS-1363	11 kg (25 lbs.)
	220–230 (CE)	412–450	1.9–2.0	CEE 7/7 Schuko	11 kg (25 lbs.)
	230–240 (CE)	450–490	1.9–2.0	BS-1363	11 kg (25 lbs.)
GRS-36-I	100	550	5.5	NEMA 5-15P	13 kg (28 lbs.)
	120	550	4.6	NEMA 5-15P	13 kg (28 lbs.)
	220	504	2.3	CEE 7/7 Schuko	13 kg (28 lbs.)
	240	598	2.5	BS-1363	13 kg (28 lbs.)
	220–230 (CE)	504–550	2.3–2.4	CEE 7/7 Schuko	13 kg (28 lbs.)
	230–240 (CE)	550–598	2.4–2.5	BS-1363	13 kg (28 lbs.)
GRS-42-I	100	600	6.0	NEMA 5-15P	15 kg (32 lbs.)
	120	600	5.0	NEMA 5-15P	15 kg (32 lbs.)
	220	548	2.5	CEE 7/7 Schuko	15 kg (32 lbs.)
	240	652	2.7	BS-1363	15 kg (32 lbs.)
	220–230 (CE)	548–600	2.5–2.6	CEE 7/7 Schuko	15 kg (32 lbs.)
	230–240 (CE)	600–652	2.6–2.7	BS-1363	15 kg (32 lbs.)

Les zones ombrées contiennent des informations électriques pour **les modèles internationaux uniquement**.

† Tous les modèles GRS mentionnés ont une profondeur chauffée standard de 495 mm (19-1/2"). D'autres profondeurs sont disponibles.

Suite...

Tableau des valeurs nominales électriques —  
Standard 495 mm (19-1/2") Modèles Profondeur de GRS

Modèle†	Tension	Intensité	Amps	Configuration de Fiches	Poids d'embarquement
GRS-48-I	100	700	7.0	NEMA 5-15P	16 kg (36 lbs.)
	120	700	5.8	NEMA 5-15P	16 kg (36 lbs.)
	220	640	3.0	CEE 7/7 Schuko	16 kg (36 lbs.)
	240	760	3.2	BS-1363	16 kg (36 lbs.)
	220-230 (CE)	640-700	3.0-3.1	CEE 7/7 Schuko	16 kg (36 lbs.)
	230-240 (CE)	700-760	3.0-3.2	BS-1363	16 kg (36 lbs.)
GRS-54-I	100	800	8.0	NEMA 5-15P	19 kg (42 lbs.)
	120	800	6.7	NEMA 5-15P	19 kg (42 lbs.)
	220	732	3.3	CEE 7/7 Schuko	19 kg (42 lbs.)
	240	870	3.6	BS-1363	19 kg (42 lbs.)
	220-230 (CE)	732-800	3.3-3.5	CEE 7/7 Schuko	19 kg (42 lbs.)
	230-240 (CE)	800-870	3.5-3.6	BS-1363	19 kg (42 lbs.)
GRS-60-I	100	900	9.0	NEMA 5-15P	20 kg (44 lbs.)
	120	900	7.5	NEMA 5-15P	20 kg (44 lbs.)
	220	824	3.7	CEE 7/7 Schuko	20 kg (44 lbs.)
	240	980	4.1	BS-1363	20 kg (44 lbs.)
	220-230 (CE)	824-900	3.7-3.9	CEE 7/7 Schuko	20 kg (44 lbs.)
	230-240 (CE)	900-980	3.9-4.1	BS-1363	20 kg (44 lbs.)
GRS-66-I	100	1000	10.0	NEMA 5-15P	23 kg (50 lbs.)
	120	1000	8.3	NEMA 5-15P	23 kg (50 lbs.)
	220	916	4.2	CEE 7/7 Schuko	23 kg (50 lbs.)
	240	1088	4.5	BS-1363	23 kg (50 lbs.)
	220-230 (CE)	916-1000	4.2-4.3	CEE 7/7 Schuko	23 kg (50 lbs.)
	230-240 (CE)	1000-1088	4.3-4.5	BS-1363	23 kg (50 lbs.)
GRS-72-I	100	1100	11.0	NEMA 5-15P	25 kg (56 lbs.)
	120	1100	9.2	NEMA 5-15P	25 kg (56 lbs.)
	220	1008	4.6	CEE 7/7 Schuko	25 kg (56 lbs.)
	240	1196	5.0	BS-1363	25 kg (56 lbs.)
	220-230 (CE)	1008-1100	4.6-4.8	CEE 7/7 Schuko	25 kg (56 lbs.)
	230-240 (CE)	1100-1196	4.8-5.0	BS-1363	25 kg (56 lbs.)

Les zones ombrées contiennent des informations électriques pour **les modèles internationaux uniquement**.

† Tous les modèles GRS mentionnés ont une profondeur chauffée standard de 495 mm (19-1/2"). D'autres profondeurs sont disponibles.



**Tableau des valeurs nominales électriques —  
Profondeur supplémentaire GRS modèles**

Modèle	Tension	Intensité	Amps	Configuration de Fiches	Poids d'embarquement
GRS-18-A	120	100	0.8	NEMA 5-15P	7 kg (16 lbs.)
GRS-18-B	120	100	0.8	NEMA 5-15P	7 kg (16 lbs.)
GRS-18-C	120	125	1.0	NEMA 5-15P	7 kg (16 lbs.)
GRS-18-D	120	200	1.7	NEMA 5-15P	7 kg (16 lbs.)
GRS-18-E	120	200	1.7	NEMA 5-15P	7 kg (16 lbs.)
GRS-18-F	120	200	1.7	NEMA 5-15P	7 kg (16 lbs.)
GRS-18-G	120	225	1.9	NEMA 5-15P	7 kg (16 lbs.)
GRS-18-H	120	225	1.9	NEMA 5-15P	7 kg (16 lbs.)
GRS-18-J	120	300	2.5	NEMA 5-15P	7 kg (16 lbs.)
GRS-18-K	120	325	2.7	NEMA 5-15P	7 kg (16 lbs.)
GRS-18-L	120	350	2.9	NEMA 5-15P	7 kg (16 lbs.)
GRS-24-A	120	125	1.0	NEMA 5-15P	9 kg (20 lbs.)
GRS-24-B	120	125	1.0	NEMA 5-15P	9 kg (20 lbs.)
GRS-24-C	120	175	1.5	NEMA 5-15P	9 kg (20 lbs.)
GRS-24-D	120	250	2.1	NEMA 5-15P	9 kg (20 lbs.)
GRS-24-E	120	250	2.1	NEMA 5-15P	9 kg (20 lbs.)
GRS-24-F	120	250	2.1	NEMA 5-15P	9 kg (20 lbs.)
GRS-24-G	120	300	2.5	NEMA 5-15P	9 kg (20 lbs.)
GRS-24-H	120	300	2.5	NEMA 5-15P	9 kg (20 lbs.)
GRS-24-J	120	375	3.1	NEMA 5-15P	9 kg (20 lbs.)
GRS-24-K	120	425	3.5	NEMA 5-15P	9 kg (20 lbs.)
GRS-24-L	120	475	4.0	NEMA 5-15P	9 kg (20 lbs.)
GRS-30-A	120	150	1.3	NEMA 5-15P	11 kg (25 lbs.)
GRS-30-B	120	150	1.3	NEMA 5-15P	11 kg (25 lbs.)
GRS-30-C	120	225	1.9	NEMA 5-15P	11 kg (25 lbs.)
GRS-30-D	120	300	2.5	NEMA 5-15P	11 kg (25 lbs.)
GRS-30-E	120	300	2.5	NEMA 5-15P	11 kg (25 lbs.)
GRS-30-F	120	300	2.5	NEMA 5-15P	11 kg (25 lbs.)
GRS-30-G	120	375	3.1	NEMA 5-15P	11 kg (25 lbs.)
GRS-30-H	120	375	3.1	NEMA 5-15P	11 kg (25 lbs.)
GRS-30-J	120	450	3.8	NEMA 5-15P	11 kg (25 lbs.)
GRS-30-K	120	525	4.4	NEMA 5-15P	11 kg (25 lbs.)
GRS-30-L	120	600	5.0	NEMA 5-15P	11 kg (25 lbs.)
GRS-36-A	120	175	1.5	NEMA 5-15P	13 kg (28 lbs.)
GRS-36-B	120	175	1.5	NEMA 5-15P	13 kg (28 lbs.)
GRS-36-C	120	275	2.3	NEMA 5-15P	13 kg (28 lbs.)
GRS-36-D	120	350	2.9	NEMA 5-15P	13 kg (28 lbs.)
GRS-36-E	120	350	2.9	NEMA 5-15P	13 kg (28 lbs.)
GRS-36-F	120	350	2.9	NEMA 5-15P	13 kg (28 lbs.)
GRS-36-G	120	450	3.8	NEMA 5-15P	13 kg (28 lbs.)
GRS-36-H	120	450	3.8	NEMA 5-15P	13 kg (28 lbs.)
GRS-36-J	120	525	4.4	NEMA 5-15P	13 kg (28 lbs.)
GRS-36-K	120	625	5.2	NEMA 5-15P	13 kg (28 lbs.)
GRS-36-L	120	725	6.0	NEMA 5-15P	13 kg (28 lbs.)
GRS-42-A	120	225	1.9	NEMA 5-15P	15 kg (32 lbs.)
GRS-42-B	120	225	1.9	NEMA 5-15P	15 kg (32 lbs.)
GRS-42-C	120	300	2.5	NEMA 5-15P	15 kg (32 lbs.)
GRS-42-D	120	450	3.8	NEMA 5-15P	15 kg (32 lbs.)
GRS-42-E	120	450	3.8	NEMA 5-15P	15 kg (32 lbs.)
GRS-42-F	120	450	3.8	NEMA 5-15P	15 kg (32 lbs.)
GRS-42-G	120	525	4.4	NEMA 5-15P	15 kg (32 lbs.)
GRS-42-H	120	525	4.4	NEMA 5-15P	15 kg (32 lbs.)
GRS-42-J	120	675	5.6	NEMA 5-15P	15 kg (32 lbs.)
GRS-42-K	120	750	6.3	NEMA 5-15P	15 kg (32 lbs.)
GRS-42-L	120	825	6.9	NEMA 5-15P	15 kg (32 lbs.)

NOTA: La dernière lettre dans les modèles ci-dessus indiquent ce qui suit:

Suite...

A = 152 mm (6")      B = 197 mm (7-3/4")      C = 248 mm (9-3/4")      D = 305 mm (12")  
 E = 349 mm (13-3/4")      F = 394 mm (15-1/2")      G = 400 mm (15-3/4")      H = 445 mm (17-1/2")  
 J = 546 mm (21-1/2")      K = 597 mm (23-1/2")      L = 648 mm (25-1/2")

## Tableau des valeurs nominales électriques — Profondeur supplémentaire GRS modèles

Modèle	Tension	Intensité	Amps	Configuration de Fiches	Poids d'embarquement
GRS-48-A	120	250	2.1	NEMA 5-15P	16 kg (36 lbs.)
GRS-48-B	120	250	2.1	NEMA 5-15P	16 kg (36 lbs.)
GRS-48-C	120	350	2.9	NEMA 5-15P	16 kg (36 lbs.)
GRS-48-D	120	500	4.2	NEMA 5-15P	16 kg (36 lbs.)
GRS-48-E	120	500	4.2	NEMA 5-15P	16 kg (36 lbs.)
GRS-48-F	120	500	4.2	NEMA 5-15P	16 kg (36 lbs.)
GRS-48-G	120	600	5.0	NEMA 5-15P	16 kg (36 lbs.)
GRS-48-H	120	600	5.0	NEMA 5-15P	16 kg (36 lbs.)
GRS-48-J	120	750	6.3	NEMA 5-15P	16 kg (36 lbs.)
GRS-48-K	120	850	7.1	NEMA 5-15P	16 kg (36 lbs.)
GRS-48-L	120	950	7.9	NEMA 5-15P	16 kg (36 lbs.)
GRS-54-A	120	275	2.3	NEMA 5-15P	19 kg (42 lbs.)
GRS-54-B	120	275	2.3	NEMA 5-15P	19 kg (42 lbs.)
GRS-54-C	120	400	3.3	NEMA 5-15P	19 kg (42 lbs.)
GRS-54-D	120	550	4.6	NEMA 5-15P	19 kg (42 lbs.)
GRS-54-E	120	550	4.6	NEMA 5-15P	19 kg (42 lbs.)
GRS-54-F	120	550	4.6	NEMA 5-15P	19 kg (42 lbs.)
GRS-54-G	120	675	5.6	NEMA 5-15P	19 kg (42 lbs.)
GRS-54-H	120	675	5.6	NEMA 5-15P	19 kg (42 lbs.)
GRS-54-J	120	825	6.9	NEMA 5-15P	19 kg (42 lbs.)
GRS-54-K	120	950	7.9	NEMA 5-15P	19 kg (42 lbs.)
GRS-54-L	120	1075	9.0	NEMA 5-15P	19 kg (42 lbs.)
GRS-60-A	120	300	2.5	NEMA 5-15P	20 kg (44 lbs.)
GRS-60-B	120	300	2.5	NEMA 5-15P	20 kg (44 lbs.)
GRS-60-C	120	450	3.8	NEMA 5-15P	20 kg (44 lbs.)
GRS-60-D	120	600	5.0	NEMA 5-15P	20 kg (44 lbs.)
GRS-60-E	120	600	5.0	NEMA 5-15P	20 kg (44 lbs.)
GRS-60-F	120	600	5.0	NEMA 5-15P	20 kg (44 lbs.)
GRS-60-G	120	750	6.3	NEMA 5-15P	20 kg (44 lbs.)
GRS-60-H	120	750	6.3	NEMA 5-15P	20 kg (44 lbs.)
GRS-60-J	120	900	7.5	NEMA 5-15P	20 kg (44 lbs.)
GRS-60-K	120	1050	8.8	NEMA 5-15P	20 kg (44 lbs.)
GRS-60-L	120	1200	10.0	NEMA 5-15P	20 kg (44 lbs.)
GRS-66-A	120	325	2.7	NEMA 5-15P	23 kg (50 lbs.)
GRS-66-B	120	325	2.7	NEMA 5-15P	23 kg (50 lbs.)
GRS-66-C	120	500	4.2	NEMA 5-15P	23 kg (50 lbs.)
GRS-66-D	120	650	5.4	NEMA 5-15P	23 kg (50 lbs.)
GRS-66-E	120	650	5.4	NEMA 5-15P	23 kg (50 lbs.)
GRS-66-F	120	650	5.4	NEMA 5-15P	23 kg (50 lbs.)
GRS-66-G	120	825	6.9	NEMA 5-15P	23 kg (50 lbs.)
GRS-66-H	120	825	6.9	NEMA 5-15P	23 kg (50 lbs.)
GRS-66-J	120	975	8.1	NEMA 5-15P	23 kg (50 lbs.)
GRS-66-K	120	1150	9.6	NEMA 5-15P	23 kg (50 lbs.)
GRS-66-L	120	1325	11.0	NEMA 5-15P	23 kg (50 lbs.)
GRS-72-A	120	350	2.9	NEMA 5-15P	25 kg (56 lbs.)
GRS-72-B	120	350	2.9	NEMA 5-15P	25 kg (56 lbs.)
GRS-72-C	120	550	4.6	NEMA 5-15P	25 kg (56 lbs.)
GRS-72-D	120	700	5.8	NEMA 5-15P	25 kg (56 lbs.)
GRS-72-E	120	700	5.8	NEMA 5-15P	25 kg (56 lbs.)
GRS-72-F	120	700	5.8	NEMA 5-15P	25 kg (56 lbs.)
GRS-72-G	120	900	7.5	NEMA 5-15P	25 kg (56 lbs.)
GRS-72-H	120	900	7.5	NEMA 5-15P	25 kg (56 lbs.)
GRS-72-J	120	1050	8.8	NEMA 5-15P	25 kg (56 lbs.)
GRS-72-K	120	1250	10.4	NEMA 5-15P	25 kg (56 lbs.)
GRS-72-L	120	1450	12.0	NEMA 5-15P	25 kg (56 lbs.)

NOTA: La dernière lettre dans les modèles ci-dessus indiquent ce qui suit:

A = 152 mm (6")      B = 197 mm (7-3/4")      C = 248 mm (9-3/4")      D = 305 mm (12")  
 E = 349 mm (13-3/4")      F = 394 mm (15-1/2")      G = 400 mm (15-3/4")      H = 445 mm (17-1/2")  
 J = 546 mm (21-1/2")      K = 597 mm (23-1/2")      L = 648 mm (25-1/2")

Tableau des valeurs nominales électriques — Modèles GRSB

Modèle	Tension	Intensité	Amps	Configuration de Fiches	Poids d'embarquement
GRSB-24-F	120	420	3.5	NEMA 5-15P	9 kg (20 lbs.)
	220	384	1.7	CEE 7/7 Schuko	9 kg (20 lbs.)
	240	458	1.9	BS-1363	9 kg (20 lbs.)
GRSB-24-I	100	550	5.5	NEMA 5-15P	10 kg (22 lbs.)
	120	550	4.6	NEMA 5-15P	10 kg (22 lbs.)
	220	550	2.5	CEE 7/7 Schuko	10 kg (22 lbs.)
	240	550	2.3	BS-1363	10 kg (22 lbs.)
	220-230 (CE)	550-601	2.5-2.6	CEE 7/7 Schuko	10 kg (22 lbs.)
	230-240 (CE)	505-550	2.2-2.3	BS-1363	10 kg (22 lbs.)
GRSB-24-O	120	790	6.6	NEMA 5-15P	12 kg (26 lbs.)
	220	722	3.3	CEE 7/7 Schuko	12 kg (26 lbs.)
	240	860	3.4	BS-1363	12 kg (26 lbs.)
GRSB-30-F	120	505	4.2	NEMA 5-15P	10 kg (23 lbs.)
	220	462	2.1	CEE 7/7 Schuko	10 kg (23 lbs.)
	240	550	2.3	BS-1363	10 kg (23 lbs.)
GRSB-30-I	100	665	6.7	NEMA 5-15P	11 kg (25 lbs.)
	120	665	5.6	NEMA 5-15P	11 kg (25 lbs.)
	220	665	3.0	CEE 7/7 Schuko	11 kg (25 lbs.)
	240	665	2.8	BS-1363	11 kg (25 lbs.)
	220-230 (CE)	665-727	3.0-3.2	CEE 7/7 Schuko	11 kg (25 lbs.)
	230-240 (CE)	661-665	2.7-2.8	BS-1363	11 kg (25 lbs.)
GRSB-30-O	120	950	7.9	NEMA 5-15P	13 kg (28 lbs.)
	220	916	4.2	CEE 7/7 Schuko	13 kg (28 lbs.)
	240	985	4.1	BS-1363	13 kg (28 lbs.)
GRSB-36-F	120	590	4.9	NEMA 5-15P	12 kg (26 lbs.)
	220	540	2.5	CEE 7/7 Schuko	12 kg (26 lbs.)
	240	642	2.7	BS-1363	12 kg (26 lbs.)
GRSB-36-I	100	780	7.8	NEMA 5-15P	13 kg (29 lbs.)
	120	780	6.5	NEMA 5-15P	13 kg (29 lbs.)
	220	780	3.5	CEE 7/7 Schuko	13 kg (29 lbs.)
	240	780	3.3	BS-1363	13 kg (29 lbs.)
	220-230 (CE)	780-853	3.5-3.7	CEE 7/7 Schuko	13 kg (29 lbs.)
	230-240 (CE)	716-780	3.1-3.3	BS-1363	13 kg (29 lbs.)
GRSB-36-O	120	1110	9.3	NEMA 5-15P	15 kg (32 lbs.)
	220	1110	5.0	CEE 7/7 Schuko	15 kg (32 lbs.)
	240	1110	4.6	BS-1363	15 kg (32 lbs.)
GRSB-42-F	120	685	5.7	NEMA 5-15P	13 kg (29 lbs.)
	220	627	2.9	CEE 7/7 Schuko	13 kg (29 lbs.)
	240	746	3.1	BS-1363	13 kg (29 lbs.)
GRSB-42-I	100	885	8.9	NEMA 5-15P	15 kg (32 lbs.)
	120	885	7.4	NEMA 5-15P	15 kg (32 lbs.)
	220	885	4.0	CEE 7/7 Schuko	15 kg (32 lbs.)
	240	885	3.7	BS-1363	15 kg (32 lbs.)
	220-230 (CE)	885-967	4.0-4.2	CEE 7/7 Schuko	15 kg (32 lbs.)
	230-240 (CE)	813-885	3.5-3.7	BS-1363	15 kg (32 lbs.)
GRSB-42-I	120	1270	10.6	NEMA 5-15P	16 kg (35 lbs.)
	220	1236	5.6	CEE 7/7 Schuko	16 kg (35 lbs.)
	240	1305	5.4	BS-1363	16 kg (35 lbs.)

Les zones ombrées contiennent des informations électriques pour **les modèles internationaux uniquement**.

Suite...

## Tableau des valeurs nominales électriques — Modèles GRSB

Modèle	Tension	Intensité	Amps	Configuration de Fiches	Poids d'embarquement
GRSB-48-F	120	770	6.4	NEMA 5-15P	15 kg (33 lbs.)
	220	705	3.2	CEE 7/7 Schuko	15 kg (33 lbs.)
	240	828	3.5	BS-1363	15 kg (33 lbs.)
GRSB-48-I	100	1000	10.0	NEMA 5-15P	16 kg (36 lbs.)
	120	1000	8.3	NEMA 5-15P	16 kg (36 lbs.)
	220	1000	4.5	CEE 7/7 Schuko	16 kg (36 lbs.)
	240	1000	4.2	BS-1363	16 kg (36 lbs.)
	220-230 (CE)	1000-1093	4.5-4.7	CEE 7/7 Schuko	16 kg (36 lbs.)
	230-240 (CE)	918-1000	4.0-4.2	BS-1363	16 kg (36 lbs.)
GRSB-48-O	120	1430	11.9	NEMA 5-15P	18 kg (39 lbs.)
	220	1430	6.5	CEE 7/7 Schuko	18 kg (39 lbs.)
	240	1430	6.0	BS-1363	18 kg (39 lbs.)
GRSB-54-I	100	1110	11.1	NEMA 5-15P	20 kg (43 lbs.)
	120	1110	9.3	NEMA 5-15P	20 kg (43 lbs.)
	220	1110	5.0	CEE 7/7 Schuko	20 kg (43 lbs.)
	240	1110	4.6	BS-1363	20 kg (43 lbs.)
	220-230 (CE)	1110-1213	5.0-5.3	CEE 7/7 Schuko	20 kg (43 lbs.)
	230-240 (CE)	1019-1110	4.4-4.6	BS-1363	20 kg (43 lbs.)
GRSB-60-F	120	950	7.9	NEMA 5-15P	20 kg (45 lbs.)
	220	870	4.0	CEE 7/7 Schuko	20 kg (45 lbs.)
	240	1034	4.3	BS-1363	20 kg (45 lbs.)
GRSB-60-I	100	1220	12.2	NEMA 5-15P	23 kg (50 lbs.)
	120	1220	10.2	NEMA 5-15P	23 kg (50 lbs.)
	220	1220	5.5	CEE 7/7 Schuko	23 kg (50 lbs.)
	240	1220	5.1	BS-1363	23 kg (50 lbs.)
	220-230 (CE)	1220-1333	5.5-5.8	CEE 7/7 Schuko	23 kg (50 lbs.)
	230-240 (CE)	1120-1220	4.9-5.1	BS-1363	23 kg (50 lbs.)
GRSB-60-O	120	1750	14.6	NEMA 5-15P	24 kg (54 lbs.)
	220	1750	8.0	CEE 7/7 Schuko	24 kg (54 lbs.)
	240	1750	7.3	BS-1363	24 kg (54 lbs.)
GRSB-66-I	120	1330	11.1	NEMA 5-15P	25 kg (54 lbs.)
	220	1330	6.0	CEE 7/7 Schuko	25 kg (54 lbs.)
	240	1330	5.5	BS-1363	25 kg (54 lbs.)
	220-230 (CE)	1330-1454	6.0-6.3	CEE 7/7 Schuko	25 kg (54 lbs.)
	230-240 (CE)	1221-1330	5.3-5.5	BS-1363	25 kg (54 lbs.)
GRSB-72-F	120	1130	9.4	NEMA 5-15P	24 kg (52 lbs.)
	220	1034	4.7	CEE 7/7 Schuko	24 kg (52 lbs.)
	240	1230	5.1	BS-1363	24 kg (52 lbs.)
GRSB-72-I	120	1440	12.0	NEMA 5-15P	26 kg (58 lbs.)
	220	1440	6.5	CEE 7/7 Schuko	26 kg (58 lbs.)
	240	1440	6.0	BS-1363	26 kg (58 lbs.)
	220-230 (CE)	1440-1574	6.5-6.8	CEE 7/7 Schuko	26 kg (58 lbs.)
	230-240 (CE)	1322-1440	5.8-6.0	BS-1363	26 kg (58 lbs.)
GRSB-72-O	208	2070	10.0	NEMA 6-15P	29 kg (64 lbs.)
	240	2070	8.6	NEMA 6-15P	29 kg (64 lbs.)
	220	2070	9.4	CEE 7/7 Schuko	29 kg (64 lbs.)
	240	2070	8.6	BS-1363	29 kg (64 lbs.)

Les zones ombrées contiennent des informations électriques pour **les modèles internationaux uniquement**.

Tableau des valeurs nominales électriques — Modèles GRSBF

Modèle	Tension	Intensité	Amps	Configuration de Fiches	Poids d'embarquement
GRSBF-18-F	120	330	2.8	NEMA 5-15P	7 kg (15 lbs.)
GRSBF-24-F	120	420	3.5	NEMA 5-15P	9 kg (20 lbs.)
GRSBF-24-I	100	550	5.5	NEMA 5-15P	10 kg (22 lbs.)
	120	550	4.6	NEMA 5-15P	10 kg (22 lbs.)
GRSBF-24-S	120	700	5.8	NEMA 5-15P	11 kg (24 lbs.)
	220	640	2.9	CEE 7/7 Schuko	11 kg (24 lbs.)
	240	762	3.2	BS-1363	11 kg (24 lbs.)
GRSBF-24-O	120	790	6.6	NEMA 5-15P	12 kg (26 lbs.)
GRSBF-30-F	120	505	4.2	NEMA 5-15P	10 kg (23 lbs.)
GRSBF-30-I	100	665	6.7	NEMA 5-15P	11 kg (25 lbs.)
	120	665	5.5	NEMA 5-15P	11 kg (25 lbs.)
GRSBF-30-S	120	825	6.9	NEMA 5-15P	12 kg (26 lbs.)
	220	755	3.4	CEE 7/7 Schuko	12 kg (26 lbs.)
	240	898	3.7	BS-1363	12 kg (26 lbs.)
GRSBF-30-O	120	950	7.9	NEMA 5-15P	13 kg (28 lbs.)
GRSBF-36-F	120	590	4.9	NEMA 5-15P	12 kg (26 lbs.)
GRSBF-36-I	100	780	7.8	NEMA 5-15P	13 kg (26 lbs.)
	120	780	6.5	NEMA 5-15P	13 kg (26 lbs.)
GRSBF-36-S	120	950	7.9	NEMA 5-15P	15 kg (31 lbs.)
	220	870	4.0	CEE 7/7 Schuko	15 kg (31 lbs.)
	240	1034	4.3	BS-1363	15 kg (31 lbs.)
GRSBF-36-O	120	1110	9.3	NEMA 5-15P	15 kg (32 lbs.)
	240	1110	4.6	NEMA 6-15P	15 kg (32 lbs.)
	220-230 (CE)	1110-1213	5.0-5.3	CEE 7/7 Schuko	15 kg (32 lbs.)
	230-240 (CE)	1020-1110	4.4-4.6	BS-1363	15 kg (32 lbs.)
GRSBF-42-F	120	685	5.7	NEMA 5-15P	13 kg (29 lbs.)
GRSBF-42-I	100	885	8.9	NEMA 5-15P	15 kg (32 lbs.)
	120	885	7.4	NEMA 5-15P	15 kg (32 lbs.)
GRSBF-42-S	120	1100	9.2	NEMA 5-15P	15 kg (34 lbs.)
	220	1006	4.6	CEE 7/7 Schuko	15 kg (34 lbs.)
	240	1198	5.0	BS-1363	15 kg (34 lbs.)
GRSBF-42-O	120	1270	10.6	NEMA 5-15P	16 kg (35 lbs.)
GRSBF-48-F	120	770	6.4	NEMA 5-15P	15 kg (33 lbs.)
GRSBF-48-I	100	1000	10.0	NEMA 5-15P	16 kg (36 lbs.)
	120	1000	8.3	NEMA 5-15P	16 kg (36 lbs.)
GRSBF-48-S	120	1225	10.2	NEMA 5-15P	17 kg (38 lbs.)
	220	1121	5.1	CEE 7/7 Schuko	17 kg (38 lbs.)
	240	1334	5.6	BS-1363	17 kg (38 lbs.)
GRSBF-48-O	120	1430	11.9	NEMA 5-15P	18 kg (39 lbs.)
	240	1430	6.0	NEMA 6-15P	18 kg (39 lbs.)
	220-230 (CE)	1430-1562	6.5-6.8	CEE 7/7 Schuko	18 kg (39 lbs.)
	230-240 (CE)	1313-1430	5.7-6.0	BS-1363	18 kg (39 lbs.)

Les zones ombrées contiennent des informations électriques pour les modèles internationaux uniquement.

Suite...

## Tableau des valeurs nominales électriques — Modèles GRSBF

Modèle	Tension	Intensité	Amps	Configuration de Fiches	Poids d'embarquement
GRSBF-60-F	120	950	7.9	NEMA 5-15P	20 kg (45 lbs.)
GRSBF-60-I	100	1220	12.2	NEMA 5-15P	23 kg (50 lbs.)
	120	1220	10.2	NEMA 5-15P	23 kg (50 lbs.)
GRSBF-60-S	120	1500	12.5	NEMA 5-20P	24 kg (53 lbs.)
	220	1372	6.2	CEE 7/7 Schuko	24 kg (53 lbs.)
	240	1634	6.8	BS-1363	24 kg (53 lbs.)
GRSBF-60-O	120	1750	14.6	NEMA 5-20P	25 kg (54 lbs.)
	240	1750	7.3	NEMA 6-15P	25 kg (54 lbs.)
	220-230 (CE)	1750-1912	8.0-8.3	CEE 7/7 Schuko	25 kg (54 lbs.)
	230-240 (CE)	1607-1750	7.0-7.3	BS-1363	25 kg (54 lbs.)
GRSBF-72-F	120	1130	9.4	NEMA 5-15P	24 kg (52 lbs.)
GRSBF-72-I	100	1440	14.4	NEMA 5-15P	26 kg (58 lbs.)
	120	1440	12.0	NEMA 5-15P	26 kg (58 lbs.)
GRSBF-72-S	120	1750	14.6	NEMA 5-20P	28 kg (62 lbs.)
	220	1602	7.3	CEE 7/7 Schuko	28 kg (62 lbs.)
	240	1906	7.9	BS-1363	28 kg (62 lbs.)
GRSBF-72-O	208	2070	10.0	NEMA 6-15P	29 kg (64 lbs.)
	240	2070	8.6	NEMA 6-15P	29 kg (64 lbs.)
	220-230 (CE)	2070-2262	9.4-9.8	CEE 7/7 Schuko	29 kg (64 lbs.)
	230-240 (CE)	1901-2070	8.3-8.6	BS-1363	29 kg (64 lbs.)

Les zones ombrées contiennent des informations électriques pour les modèles internationaux uniquement.

## INSTALLATION

### Généralités

Utilisez les procédures suivantes pour installer les appareils GRS, GRSB et GRSBF.

#### **AVERTISSEMENT**

**DANGER D'INCENDIE:** Placez l'unité à au moins 25 mm (1") des murs combustibles et des produits. Si les distances de sécurité ne sont pas respectées, une décoloration ou combustion peut avoir lieu.

#### **ATTENTION**

Placez l'unité à une hauteur adaptée au comptoir, à un emplacement pratique à utiliser. L'emplacement doit être plan pour éviter que l'unité ou son contenu ne tombe accidentellement, et suffisamment solide pour supporter le poids de l'unité et de son contenu.

Ne faites pas fonctionner les modèles intégrés si le boîtier de contrôle n'est pas installé conformément aux instructions d'installation.

Ne faites pas fonctionner l'appareil sans avoir installé les pieds fournis.

La National Sanitation Foundation (NSF) exige que les appareils mesurant plus de 914 mm (36") de largeur et pesant plus de 36 kg (80 lbs.) soient hermétiquement fixés ou rehaussés sur la surface d'installation. Si l'unité ne peut pas être fixée à l'endroit d'utilisation, des pieds de 102 mm (4") sont fournis pour permettre le nettoyage du dessous de l'unité.

### Modèles GRS

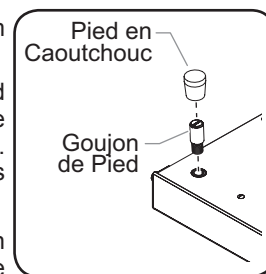
1. Enlever l'appareil du carton et le poser à l'envers sur celui-ci.

*NOTA :* Pour éviter des retards dans l'obtention de la couverture de la garantie, complétez l'enregistrement en ligne de votre garantie. Lisez la section INFORMATIONS IMPORTANTES POUR LE PROPRIÉTAIRE pour plus de détails.

2. Installez les pieds de 25 mm (1") de l'appareil.

- a. Vissez un goujon de pied dans les orifices de chaque coin en bas de l'appareil. Serrez fermement mais pas de manière excessive.

- b. Faites glisser un pied en caoutchouc sur chaque goujon de pied.



*NOTA:* Si des pieds de 102 mm (4") sont nécessaires, consultez la section OPTIONS ET ACCESSOIRES de ce manuel pour connaître les instructions d'installation.

3. Redresser l'appareil et le placer à l'endroit désiré.

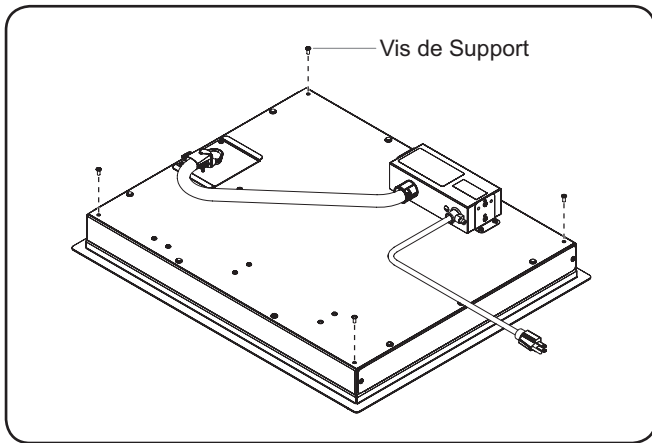
- Placez l'appareil dans une zone où la température ambiante est toujours de 21°C (70°F) minimum. Évitez les zones situées dans les courants d'air (par exemple à proximité d'une porte extérieure, des ventilateurs d'échappement/hottes, des conduites de climatisation, etc.).

- Assurez-vous que l'appareil est à une hauteur appropriée par rapport au comptoir dans une zone adaptée à son utilisation.
- Assurez-vous que le comptoir est de niveau et qu'il est suffisamment solide pour supporter le poids de l'appareil et des aliments.
- Assurez-vous que tous les pieds de l'appareil sont correctement positionnés sur le comptoir.

**Modèles GRSB et GRSBF**

1. Enlever l'appareil du carton et le poser à l'envers sur celui-ci.

NOTA: Pour éviter un retard de service sous garantie, enregistrez la garantie en ligne. Pour des détails, voir la section INFORMATIONS IMPORTANTES POUR LE PROPRIÉTAIRE.



Dessous des modèles GRSB

2. Retirez les vis de support du dessous de l'appareil et mettez-les de côté.

NOTA: Le boîtier de contrôle peut être placé à un endroit plus adapté sous l'appareil. Pour une installation partiellement distante, laissez le boîtier de contrôle en place jusqu'à ce que l'appareil soit placé dans le comptoir.

**AVIS**

L'appareil est conçu et recommandé pour une utilisation sur ou dans des comptoirs métalliques. Les dommages subis par le matériau de comptoir ne sont pas couverts par la garantie Hatco. Pour d'autres surfaces, assurez-vous que le matériau est adapté à des températures pouvant atteindre 93°C (200°F).

3. Préparez la découpe du comptoir. Consultez le tableau « Découpe du plateau » des pages suivantes pour connaître les dimensions de découpe du comptoir recommandées.
4. Appliquez un cordon d'agent d'étanchéité approuvé par la NSF (National Sanitation Foundation) entre le matériau du comptoir et le rebord de fixation. L'agent d'étanchéité doit être homologué pour une utilisation à une température minimum de 121°C (250°F).
5. Placez l'appareil dans la découpe.
6. Fixez les attaches Z sous l'appareil à l'aide des quatre vis de support précédemment démontées dans cette procédure (consultez aux illustrations sur les pages suivantes).

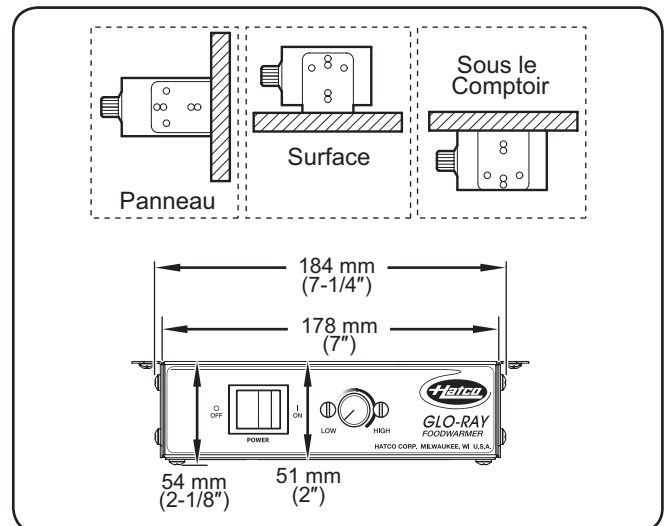
NOTA: Les appareils de 1524 mm (60") ou plus longs nécessitent l'emploi d'attaches Z supplémentaires à mi-chemin des extrémités avant et arrière de l'appareil.

7. Réglez les vis de montage sur les attaches Z pour que le rebord supérieur se pose à plat sur le comptoir.

**AVIS**

N'exercez pas une force excessive lors du serrage des vis de montage des appareils intégrés. Cela risquerait d'endommager l'appareil et/ou le comptoir.

8. Retirez l'excédent d'agent d'étanchéité.
9. En fonction des besoins, le boîtier de contrôle peut être installé en position semi-distante.
  - a. Retirez le boîtier de contrôle du dessous de l'appareil.
  - b. Si cela est nécessaire, retirez les supports d'extrémité du boîtier de contrôle, faites tourner/repositionnez et refixez le boîtier de contrôle.
  - c. Le boîtier de contrôle peut être installé sur le panneau, sous le comptoir ou encastré.



Options de montage du boîtier de contrôle

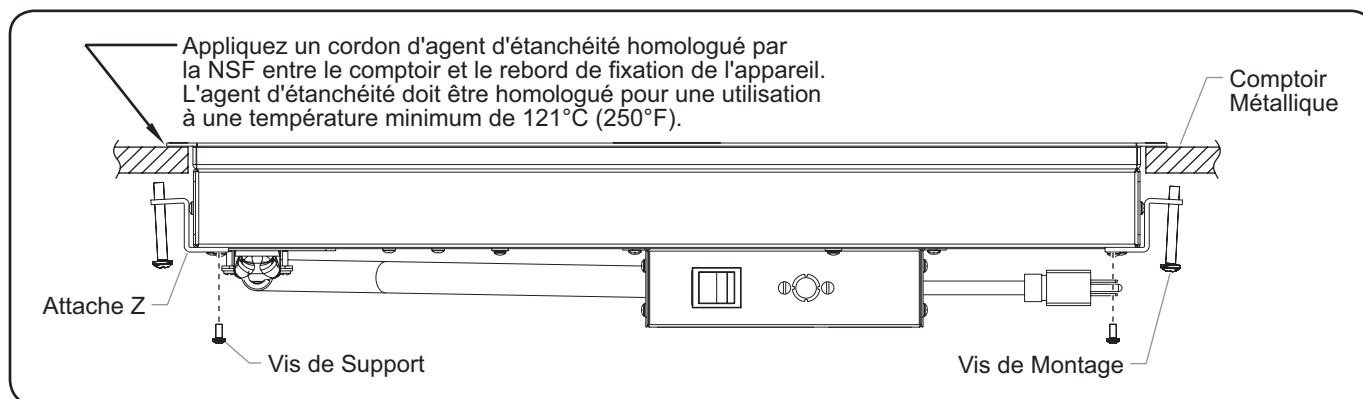
- d. La distance d'installation du boîtier de contrôle est limitée par la gaine de câbles qui mesure 914 mm (36"). Ne tirez pas sur la gaine de câbles pour essayer d'augmenter la distance d'installation. La gaine de câbles doit présenter un peu de jeu après l'installation du boîtier de contrôle.

**AVIS**

Ne modifiez pas le câblage et ne coupez pas le câble capillaire du thermostat du boîtier de contrôle pour augmenter la distance d'installation de la commande à distance. Si vous coupez le câble capillaire du thermostat, cela risque de provoquer une surchauffe et des dommages à l'appareil ainsi qu'au comptoir.

10. Une fois tous les éléments fixés, consultez la section Fonctionnement.

NOTA: Un cordon de 1829 mm (6') est fourni avec l'appareil; tout excès de câble doit être acheminé proprement de sorte à ce qu'il ne pende pas.

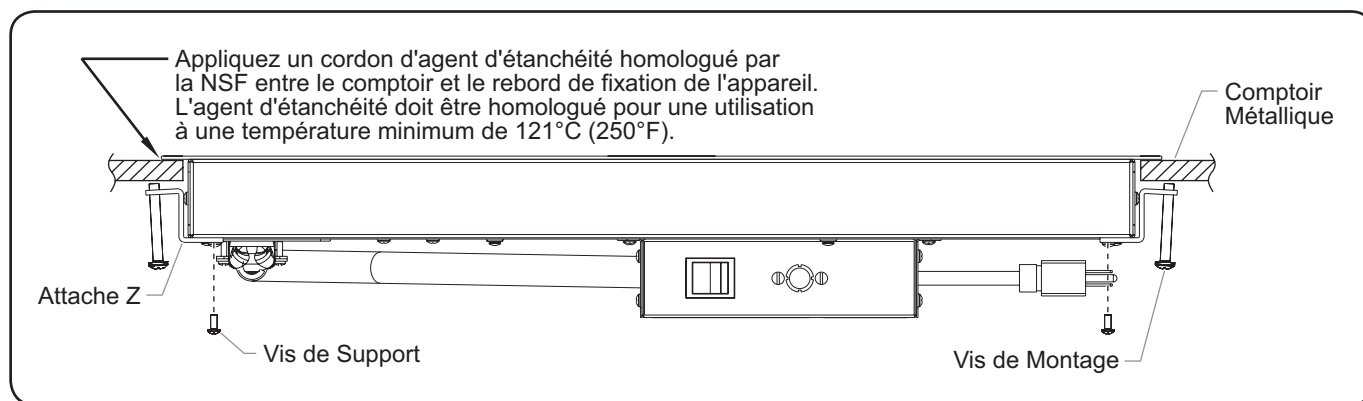


Modèle GR SB — Installation

## Découpe Du Plateau Voir — Modèles GR SB

Modèle	Largeur	Profondeur
GR SB-24-F	622 mm (24-1/2") – 629 mm (24-3/4")	406 mm (16") – 413 mm (16-1/4")
GR SB-24-I	622 mm (24-1/2") – 629 mm (24-3/4")	508 mm (20") – 413 mm (20-1/4")
GR SB-24-O	622 mm (24-1/2") – 629 mm (24-3/4")	775 mm (30-1/2") – 781 mm (30-3/4")
GR SB-30-F	775 mm (30-1/2") – 781 mm (30-3/4")	406 mm (16") – 413 mm (16-1/4")
GR SB-30-I	775 mm (30-1/2") – 781 mm (30-3/4")	508 mm (20") – 413 mm (20-1/4")
GR SB-30-O	775 mm (30-1/2") – 781 mm (30-3/4")	775 mm (30-1/2") – 781 mm (30-3/4")
GR SB-36-F	927 mm (36-1/2") – 934 mm (36-3/4")	406 mm (16") – 413 mm (16-1/4")
GR SB-36-I	927 mm (36-1/2") – 934 mm (36-3/4")	508 mm (20") – 413 mm (20-1/4")
GR SB-36-O	927 mm (36-1/2") – 934 mm (36-3/4")	775 mm (30-1/2") – 781 mm (30-3/4")
GR SB-42-F	1080 mm (42-1/2") – 1086 mm (42-3/4")	406 mm (16") – 413 mm (16-1/4")
GR SB-42-I	1080 mm (42-1/2") – 1086 mm (42-3/4")	508 mm (20") – 413 mm (20-1/4")
GR SB-42-O	1080 mm (42-1/2") – 1086 mm (42-3/4")	775 mm (30-1/2") – 781 mm (30-3/4")
GR SB-48-F	1232 mm (48-1/2") – 1238 mm (48-3/4")	406 mm (16") – 413 mm (16-1/4")
GR SB-48-I	1232 mm (48-1/2") – 1238 mm (48-3/4")	508 mm (20") – 413 mm (20-1/4")
GR SB-48-O	1232 mm (48-1/2") – 1238 mm (48-3/4")	775 mm (30-1/2") – 781 mm (30-3/4")
GR SB-54-I	1384 mm (54-1/2") – 1391 mm (54-3/4")	508 mm (20") – 413 mm (20-1/4")
GR SB-60-F	1537 mm (60-1/2") – 1543 mm (60-3/4")	406 mm (16") – 413 mm (16-1/4")
GR SB-60-I	1537 mm (60-1/2") – 1543 mm (60-3/4")	508 mm (20") – 413 mm (20-1/4")
GR SB-60-O	1537 mm (60-1/2") – 1543 mm (60-3/4")	775 mm (30-1/2") – 781 mm (30-3/4")
GR SB-66-I	1689 mm (66-1/2") – 1696 mm (66-3/4")	508 mm (20") – 413 mm (20-1/4")
GR SB-72-F	1842 mm (72-1/2") – 1848 mm (72-3/4")	406 mm (16") – 413 mm (16-1/4")
GR SB-72-I	1842 mm (72-1/2") – 1848 mm (72-3/4")	508 mm (20") – 413 mm (20-1/4")
GR SB-72-O	1842 mm (72-1/2") – 1848 mm (72-3/4")	775 mm (30-1/2") – 781 mm (30-3/4")





Modèle GRSBF — Installation

### Découpe Du Plateau Voir — Modèles GRSBF

Modèle	Largeur	Profondeur
GRSBF-18-F	470 mm (18-1/2") – 476 mm (18-3/4")	406 mm (16") – 413 mm (16-1/4")
GRSBF-24-F	622 mm (24-1/2") – 629 mm (24-3/4")	406 mm (16") – 413 mm (16-1/4")
GRSBF-24-I	622 mm (24-1/2") – 629 mm (24-3/4")	508 mm (20") – 514 mm (20-1/4")
GRSBF-24-S	622 mm (24-1/2") – 629 mm (24-3/4")	622 mm (24-1/2") – 629 mm (24-3/4")
GRSBF-24-O	622 mm (24-1/2") – 629 mm (24-3/4")	775 mm (30-1/2") – 781 mm (30-3/4")
GRSBF-30-F	775 mm (30-1/2") – 781 mm (30-3/4")	406 mm (16") – 413 mm (16-1/4")
GRSBF-30-I	775 mm (30-1/2") – 781 mm (30-3/4")	508 mm (20") – 514 mm (20-1/4")
GRSBF-30-S	775 mm (30-1/2") – 781 mm (30-3/4")	622 mm (24-1/2") – 629 mm (24-3/4")
GRSBF-30-O	775 mm (30-1/2") – 781 mm (30-3/4")	775 mm (30-1/2") – 781 mm (30-3/4")
GRSBF-36-F	927 mm (36-1/2") – 934 mm (36-3/4")	406 mm (16") – 413 mm (16-1/4")
GRSBF-36-I	927 mm (36-1/2") – 934 mm (36-3/4")	508 mm (20") – 514 mm (20-1/4")
GRSBF-36-S	927 mm (36-1/2") – 934 mm (36-3/4")	622 mm (24-1/2") – 629 mm (24-3/4")
GRSBF-36-O	927 mm (36-1/2") – 934 mm (36-3/4")	775 mm (30-1/2") – 781 mm (30-3/4")
GRSBF-42-F	1080 mm (42-1/2") – 1086 mm (42-3/4")	406 mm (16") – 413 mm (16-1/4")
GRSBF-42-I	1080 mm (42-1/2") – 1086 mm (42-3/4")	508 mm (20") – 514 mm (20-1/4")
GRSBF-42-S	1080 mm (42-1/2") – 1086 mm (42-3/4")	622 mm (24-1/2") – 629 mm (24-3/4")
GRSBF-42-O	1080 mm (42-1/2") – 1086 mm (42-3/4")	775 mm (30-1/2") – 781 mm (30-3/4")
GRSBF-48-F	1232 mm (48-1/2") – 1238 mm (48-3/4")	406 mm (16") – 413 mm (16-1/4")
GRSBF-48-I	1232 mm (48-1/2") – 1238 mm (48-3/4")	508 mm (20") – 514 mm (20-1/4")
GRSBF-48-S	1232 mm (48-1/2") – 1238 mm (48-3/4")	622 mm (24-1/2") – 629 mm (24-3/4")
GRSBF-48-O	1232 mm (48-1/2") – 1238 mm (48-3/4")	775 mm (30-1/2") – 781 mm (30-3/4")
GRSBF-60-F	1537 mm (60-1/2") – 1543 mm (60-3/4")	406 mm (16") – 413 mm (16-1/4")
GRSBF-60-I	1537 mm (60-1/2") – 1543 mm (60-3/4")	508 mm (20") – 514 mm (20-1/4")
GRSBF-60-S	1537 mm (60-1/2") – 1543 mm (60-3/4")	622 mm (24-1/2") – 629 mm (24-3/4")
GRSBF-60-O	1537 mm (60-1/2") – 1543 mm (60-3/4")	775 mm (30-1/2") – 781 mm (30-3/4")
GRSBF-72-F	1842 mm (72-1/2") – 1848 mm (72-3/4")	406 mm (16") – 413 mm (16-1/4")
GRSBF-72-I	1842 mm (72-1/2") – 1848 mm (72-3/4")	508 mm (20") – 514 mm (20-1/4")
GRSBF-72-S	1842 mm (72-1/2") – 1848 mm (72-3/4")	622 mm (24-1/2") – 629 mm (24-3/4")
GRSBF-72-O	1842 mm (72-1/2") – 1848 mm (72-3/4")	775 mm (30-1/2") – 781 mm (30-3/4")

## Généralités

Utilisez la procédure suivante pour allumer et faire fonctionner les appareils GRS, GRSE et GRSBF.

### **AVERTISSEMENT**

Lire tous les messages de sécurité de la section Consignes de sécurité importantes avant d'utiliser ce matériel.

1. Branchez l'appareil dans une prise électrique avec mise à la terre, configuration et tension correctes. Consultez la section SPÉCIFICATIONS de ce manuel pour avoir plus d'informations.
2. Mettez l'interrupteur Marche/Arrêt (I/O) en position Marche.

### **ATTENTION**

**DANGER DE BRÛLURE :** Certaines surfaces extérieures de l'appareil deviennent chaudes. Toucher ces zones de l'appareil avec précaution.

3. Tourner le thermostat sur le réglage de température désiré.

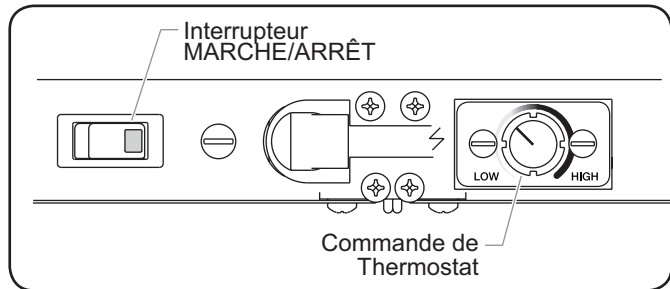
*NOTA: Le fait de tourner le bouton de contrôle du thermostat dans le sens horaire va augmenter la température. Le fait de tourner le bouton de commande du thermostat dans le sens anti-horaire va diminuer la température.*

4. Laisser s'écouler 30 minutes pour que l'appareil atteigne la température de fonctionnement.

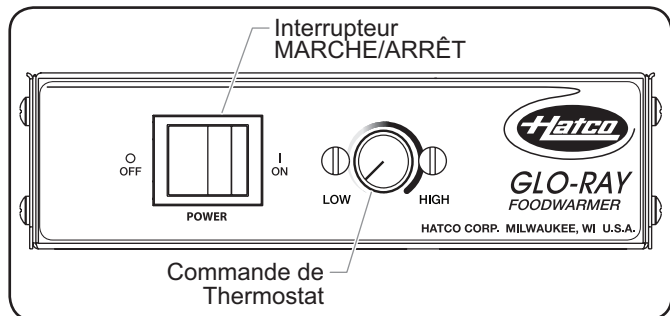
### **AVIS**

Ne faites pas glisser de casseroles sur les surfaces à revêtement dur, n'utilisez pas de casseroles avec revêtement à fond dur et ne laissez rien tomber sur les surfaces à couche dure. Cela pourrait rayer votre équipement. Les dommages causés sur les surfaces à revêtement dur dus à une mauvaise utilisation ne sont pas couverts par la garantie.

*NOTA: Consultez la section OPTIONS ET ACCESSOIRES pour avoir plus d'informations concernant l'installation et le fonctionnement des appareils GRSE et GRSBF équipés d'un boîtier de contrôle distant de type encastré.*



Panneau de Contrôle — Modèle GRS



Panneau de Contrôle — Modèle GRSE et GRSBF

## Généralités

Les rayonnages chauffants Glo-Ray de Hatco sont conçus pour fournir une durabilité et des performances maximales avec une maintenance minimale.

### AVERTISSEMENT

#### DANGER DE DÉCHARGE ÉLECTRIQUE :

- Mettez l'unité hors tension depuis l'interrupteur, débranchez le cordon d'alimentation et laissez l'unité refroidir avant d'effectuer tout nettoyage, tout réglage ou tout entretien.
- **NE PAS immerger l'appareil ni le saturer d'eau. L'appareil n'est pas étanche à l'eau. Ne pas le faire fonctionner s'il a été immergé ou saturé d'eau.**
- **Ne pas nettoyer à la vapeur ni utiliser trop d'eau sur l'appareil.**
- **Ne pas nettoyer l'appareil lorsqu'il est sous tension.**

Pour les réparations, utiliser exclusivement des pièces de rechange Hatco d'origine. Utilisez des pièces détachées Hatco authentiques sous peine d'annuler toutes les garanties et d'exposer l'utilisateur à des tensions électriques dangereuses pouvant entraîner une électrocution ou des brûlures. Les pièces de rechange Hatco d'origine sont conçues pour fonctionner sans danger dans les environnements dans lesquels elles sont utilisées. Certaines pièces de rechange génériques ou de second marché ne présentent pas les caractéristiques leur permettant de fonctionner sans danger dans le matériel Hatco.

### AVERTISSEMENT

Cet appareil ne contient aucune pièce réparable par l'utilisateur. Si cet appareil doit être réparé, contacter un réparateur Hatco agréé ou le Service après-vente Hatco au +1 800-558-0607 ou +1 414-671-6350 ; télécopieur +1 800-690-2966; télécopieur internationale +1 414-671-3976.

## Nettoyage quotidien

Pour préserver la finition de l'appareil et maintenir la performance, il est recommandé de nettoyer tous les jours l'appareil.

### AVIS

Utiliser uniquement des produits nettoyeurs non abrasifs. Les produits nettoyeurs abrasifs peuvent rayer la finition de l'appareil, ce qui altère son apparence et le rend plus susceptible d'accumuler la saleté.

1. Mettre l'appareil hors tension, débrancher le cordon d'alimentation et laisser refroidir l'appareil.
2. Retirez et lavez tous les bacs à aliments si cela est nécessaire.
3. Essuyez toutes les surfaces métalliques à l'aide d'un chiffon humide non abrasif. Les dépôts minéraux peuvent être retirés à l'aide d'un bon nettoyeur pour acier inox ou un produit non abrasif. Les recoins difficiles d'accès doivent être nettoyés avec une petite brosse et du savon doux.
4. Essuyez toutes les surfaces à l'aide d'un chiffon sec non abrasif.

## ⚠ AVERTISSEMENT

La réparation de cet appareil doit être confiée exclusivement à du personnel qualifié. Les réparations par des personnes non qualifiées peuvent provoquer des décharges électriques et des brûlures.

## ⚠ AVERTISSEMENT

**DANGER DE DÉCHARGE ÉLECTRIQUE:** Mettez l'unité hors tension depuis l'interrupteur, débranchez le cordon d'alimentation et laissez l'unité refroidir avant d'effectuer tout nettoyage, tout réglage ou tout entretien.

Symptômes	Causes Probables	Action Correctrice
Appareil trop chaud.	Valeur du thermostat trop importante.	Diminuez la valeur du thermostat.
	Thermostat bloqué en position « Marche ».	Contactez votre agent de maintenance agréé ou Hatco.
	Appareil branché à une alimentation électrique inadaptée.	Demandez à un personnel qualifié de vérifier si l'alimentation électrique correspond aux spécifications de l'appareil.
Appareil pas assez chaud.	Valeur du thermostat trop basse.	Augmentez la valeur du thermostat.
	L'appareil se trouve dans les courants d'air (conduites de climatisation ou ventilateurs d'échappement).	Supprimez les courants d'air ou déplacez l'appareil.
Appareil ne fonctionnant pas du tout.	Appareil pas branché.	Branchez l'appareil sur une alimentation électrique adaptée.
	Appareil pas allumé.	Mettez l'interrupteur Marche/Arrêt (I/O) en position Marche (I).
	L'interrupteur Marche/Arrêt (I/O) ne fonctionne pas.	Contactez votre agent de maintenance agréé ou Hatco.
	L'élément chauffant a grillé.	Contactez votre agent de maintenance agréé ou Hatco.
	Le thermostat est défectueux.	Contactez votre agent de maintenance agréé ou Hatco.

### **Vous avez des questions en ce qui concerne les pannes ?**

Si le problème persiste, veuillez contacter l'agence d'entretien agréée Hatco la plus proche ou Hatco pour obtenir une assistance. Pour trouver l'agence d'entretien la plus proche, rendez-vous sur le site Internet de Hatco ([www.hatcocorp.com](http://www.hatcocorp.com)) et cliquez sur Trouver un agent d'entretien, ou contactez l'équipe d'entretien et de pièces détachées de Hatco :

### **Numéro de**

**téléphone: 800-558-0607 ou 414-671-6350**

**Courriel: [partsandservice@hatcocorp.com](mailto:partsandservice@hatcocorp.com)**

**Télécopie: 800-690-2966 ou 414-671-3976**

## OPTIONS ET ACCESSOIRES

### **Pieds de 102 mm Réglables (Modèles GRS)**

Suivez la procédure suivante pour installer les pieds de 102 mm (4") réglables sur un modèle GRS.

*NOTA: Les pieds de 102 mm (4") sont standard sur les modèles de 1 067 mm (42") et plus.*

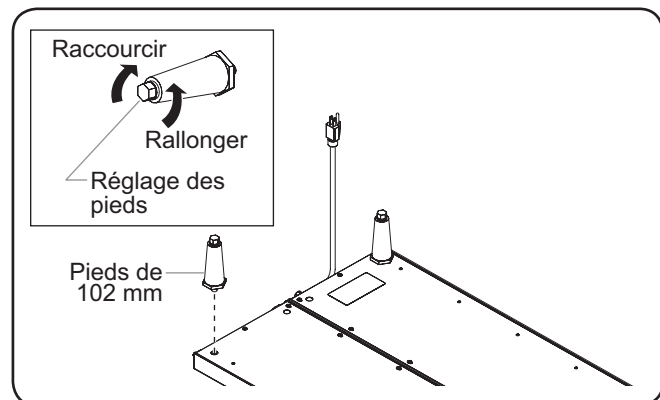
1. Éteignez l'appareil, débranchez le cordon d'alimentation et laissez l'appareil refroidir.

### AVIS

**Ne couchez pas l'unité sur le côté comportant le panneau de commande. L'unité pourrait être endommagée.**

2. Retournez délicatement l'appareil et posez-le sur une surface plane. Veillez à bien couvrir la surface pour éviter de rayer l'appareil.
3. Vissez un pied de 102 mm (4") dans chaque angle sous l'appareil. Serrez à la main jusqu'à blocage. Ne serrez pas trop.
4. Remettez l'appareil à l'endroit.

*NOTA: Les pieds de 102 mm (4") sont réglables afin de mettre l'appareil de niveau. Utilisez une clé plate de 14 mm (9/16") pour faire les réglages de niveau une fois l'appareil remis à sa place définitive.*



Installation des pieds

### Boîtiers de Contrôle Distant (Modèles GRSB et GRSBF)

Deux boîtiers de contrôle distants de type encastré sont disponibles pour les appareils GRSB et GRSBF — le boîtier de contrôle de thermostat mécanique et le boîtier de contrôle de température numérique (ITC). Les deux boîtiers de contrôle s'installent selon la procédure suivante.

#### ⚠ AVERTISSEMENT

Le boîtier de contrôle à distance doit être installé en position verticale sur un mur vertical. Si le boîtier de contrôle à distance est installé en position horizontale, du liquide risque de s'accumuler à l'intérieur et provoquer une décharge électrique.

#### AVIS

Installez le boîtier de contrôle distant hors de la zone chauffée. Si vous placez le boîtier de contrôle dans la zone chauffée, cela pourrait provoquer des surchauffes, des dysfonctionnements ou des défaillances des commandes.

Ne modifiez pas le câblage et ne coupez pas le câble capillaire du thermostat du boîtier de contrôle pour augmenter la distance d'installation de la commande à distance. Si vous coupez le câble capillaire du thermostat, cela risque de provoquer une surchauffe et des dommages à l'appareil ainsi qu'au comptoir.

NOTA: Les branchements des appareils à l'alimentation électrique doivent être faits par un électricien qualifié.

1. Préparez la découpe et pré-percez les orifices des vis (consultez l'illustration ci-dessous pour connaître les dimensions).
2. Retirez le capot du boîtier de contrôle.
3. Placez le boîtier de contrôle dans l'ouverture par l'arrière.
4. Fixez le boîtier de contrôle à la surface à l'aide des vis (non fournies).
5. Branchez une alimentation électrique adaptée au boîtier de contrôle distant.
6. Réinstallez le capot. Assurez l'étanchéité entre le capot et la surface de montage à l'aide d'un adhésif à la silicone.

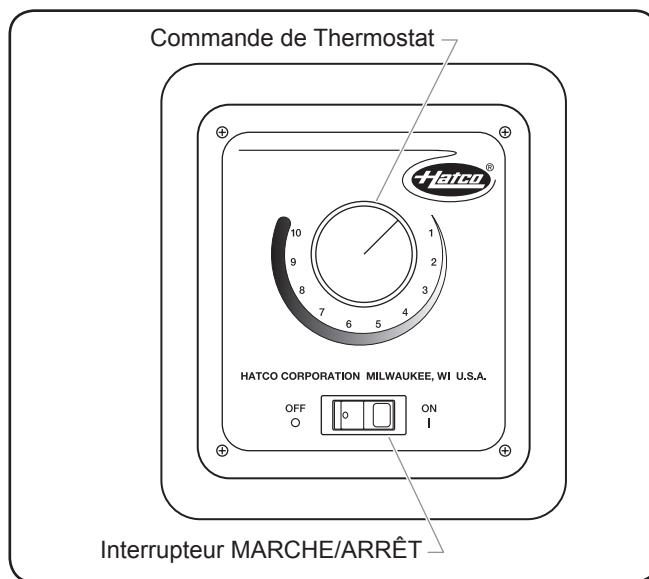
NOTA: Les appareils sont équipés d'une gaine de câbles de 914 mm (3') pour brancher le boîtier de contrôle sur l'appareil. Longueurs de conduit en option de 1829 mm (6') et 3048 mm (10') sont également disponibles.

#### Interrupteur Marche/Arrêt

Les deux boîtiers de contrôle distants sont équipés d'un interrupteur Marche/Arrêt (I/O). Mettez l'interrupteur Marche/Arrêt (I/O) en position Marche pour allumer l'appareil. Le témoin de l'interrupteur s'allume lorsque l'appareil est allumé.

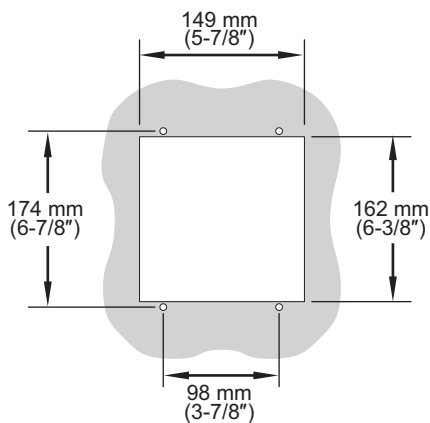
#### Réglage du Thermostat

Tournez le bouton de contrôle du thermostat dans le sens horaire pour augmenter la température. Tournez le bouton de contrôle du thermostat dans le sens anti-horaire pour diminuer la température.



Boîtier de contrôle du thermostat

... Suite

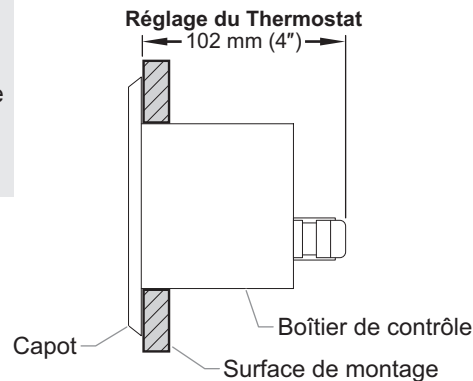


Vue de Face de la Découpe

#### REMARQUE IMPORTANTE :

Assurez-vous que l'emplacement choisi présente assez de place pour les branchements électriques au boîtier électrique.

#### Régulateur numérique de la température 121 mm (4-3/4")



Vue de côté du boîtier installé

Dimensions pour l'installation du boîtier de contrôle distant

## Changer la température nominale — Régulateur numérique de la température

Une fois allumés, les appareils munis du régulateur numérique de la température chaufferont automatiquement jusqu'à la température nominale. Suivez la procédure ci-après pour programmer la température nominale.

*NOTA: La température affichée à l'écran peut s'avérer inexacte lorsque la température de l'appareil est inférieure à 54 °C (130 °F).*

Si la séquence de programmation est interrompue avant d'avoir exécuté la dernière étape, les valeurs modifiées ne seront pas enregistrées dans la mémoire.

1. Appuyez trois fois sur la touche **SET**. La température nominale actuelle s'affichera sur l'écran « TEMPÉRATURE » (le signe « SP » s'affichera après la deuxième pression).
2. Appuyez sur la touche ▲ ou la touche ▼ dans un délai de dix secondes pour modifier la température nominale.
3. Appuyez sur la touche **SET** pour enregistrer la nouvelle température nominale. L'affichage « TEMPÉRATURE » restera vierge pendant deux secondes puis indiquera que les nouveaux paramètres ont été acceptés.

*NOTA: Après dix secondes d'inactivité au cours de la programmation, le régulateur quittera automatiquement le mode Programmation sans mémoriser la nouvelle valeur.*

## Alternance entre l'affichage Fahrenheit et Celsius — Régulateur numérique de la température

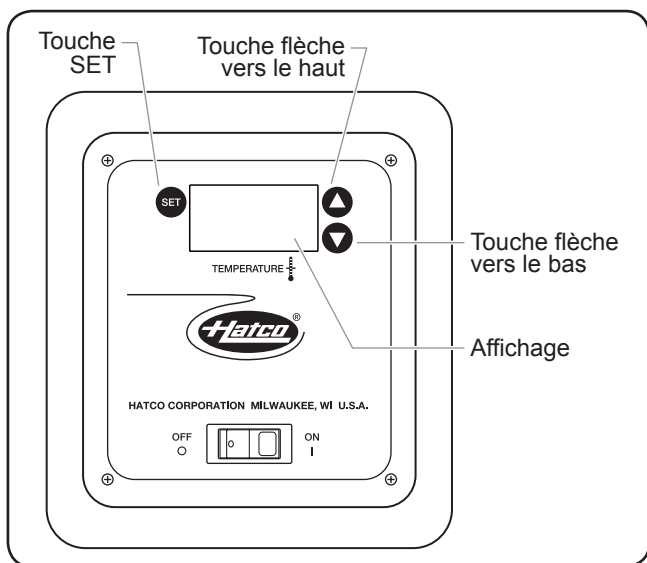
Utilisez la procédure ci-après pour alterner entre l'affichage Fahrenheit et Celsius.

1. Appuyez une fois sur la touche **SET**. Saisissez « F » pour un affichage en Fahrenheit ou « C » pour un affichage en Celsius.
2. Appuyez sur la touche ▲ ou la touche ▼ dans un délai de dix secondes pour alterner entre l'affichage « F » (Fahrenheit) et « C » (Celsius).
3. Appuyez trois fois sur la touche **SET** pour verrouiller le nouveau paramètre. L'affichage « TEMPÉRATURE » restera vierge pendant deux secondes puis indiquera que les nouveaux paramètres ont été acceptés.

*NOTA: Après dix secondes d'inactivité au cours de la programmation, le régulateur quittera automatiquement le mode Programmation sans mémoriser la nouvelle valeur.*

## Pieds en caoutchouc (Modèles GRS)

Des pieds en caoutchouc sont mis à disposition à titre d'accessoires et présentent une hauteur de 10 mm (3/8"). Les pieds en caoutchouc permettent de rapprocher l'étagère du comptoir.



Régulateur de température numérique

## 1. GARANTIE DU PRODUIT

Hatco garantit que les produits qu'il fabrique (les « Produits ») sont exempts de défauts de matériel et de fabrication, dans des conditions normales d'utilisation et de maintenance, pour une période d'un (1) an à partir de la date d'achat à condition que l'appareil soit installé et entretenu conformément aux instructions écrites de Hatco ou 18 mois après la date de l'expédition par Hatco. L'acheteur doit prouver la date d'achat du Produit par l'enregistrement du produit auprès de Hatco ou par d'autres moyens satisfaisants pour Hatco, à sa seule discrétion.

Hatco garantit que les composants du Produit suivants sont exempts de défauts de matériel et de fabrication à partir de la date d'achat (sous réserve des conditions précédentes) pour la ou les périodes de temps et en fonction des conditions listées ci-dessous :

**a) Garantie d'un (1) an pour les pièces et la main-d'œuvre PLUS un an (1) supplémentaire pour les pièces uniquement :**

Éléments du grille-pain à convoyeur (enveloppe métallique)  
 Éléments des tiroirs chauffants (enveloppe métallique)  
 Tiroirs, roues et glissières des tiroirs chauffants  
 Éléments des rampes chauffantes (enveloppe métallique)  
 Éléments des vitrines chauffantes  
 (enveloppe métallique, air chauffant)  
 Éléments des armoires de stockage  
 (enveloppe métallique, air chauffant)  
 Éléments des compartiments chauffants —  
 série HW et HWB (enveloppe métallique)

**b) Garantie d'un (1) an pour les pièces et la main-d'œuvre PLUS quatre (4) ans pour les pièces uniquement :**  
 Cuves 3CS et FR

**c) Garantie d'un (1) an pour les pièces et la main-d'œuvre PLUS neuf (9) ans pour les pièces uniquement :**  
 Cuves des appareils de chauffage d'appoint électriques  
 Cuves des appareils de chauffage d'appoint à gaz

**d) Garantie de quatre-vingt-dix (90) jours pour les pièces uniquement :**  
 Pièces de rechange

LES GARANTIES PRÉCÉDENTES SONT EXCLUSIVES ET REMPLACENT TOUTES AUTRES GARANTIES, EXPRESSES OU IMPLICITES, COMPRENANT, MAIS NE SE LIMITANT PAS À, TOUTES GARANTIES IMPLICITES DE QUALITÉ MARCHANDE OU DE FINALITÉ PARTICULIÈRE OU TOUTS BREVETS OU TOUTES AUTRES ATTEINTES AUX DROITS DE LA PROPRIÉTÉ INTELLECTUELLE. Sans restreindre la portée générale des énoncés précédents, CES GARANTIES NE COUVRENT PAS : Ampoules d'éclairage à incandescence enduites, lumières fluorescentes, ampoules de lampes chauffantes, ampoules d'éclairage à halogène enduites, ampoules de lampes chauffantes au xénon, tubes d'éclairage DEL, composants en verre et fusibles ; défaut de produit dans la cuve d'un appareil de chauffage d'appoint, dans un échangeur de chaleur à tubes à ailettes ou tout autre équipement de chauffage d'eau causé par la calcification, l'accumulation de sédiments, la réaction d'un produit chimique ou le gel ; ou une mauvaise utilisation, une manipulation ou une mauvaise application, une installation inappropriée du Produit ou l'utilisation d'une tension inappropriée.

## 2. LIMITES DES RECOURS ET DES DOMMAGES

La responsabilité de Hatco et la seule voie de recours de l'acheteur prévues par les présentes seront limitées exclusivement, au gré de Hatco, à la réparation ou au remplacement à l'aide de pièces ou de Produits nouveaux ou remis à neuf par Hatco ou un centre de réparation agréé par Hatco (sauf si l'acheteur se situe hors des États-Unis, du Canada, du Royaume-Uni ou de l'Australie, auquel cas la responsabilité de Hatco et la seule voie de recours de l'acheteur seront limitées exclusivement au remplacement des pièces concernées par la garantie) à l'égard de toute revendication effectuée dans les délais de garantie applicables mentionnés ci-dessus. Hatco se réserve le droit d'accepter ou de rejeter toute réclamation en partie ou dans son intégralité. Dans le cadre de cette Garantie limitée, « remis à neuf » signifie une pièce ou un Produit dont les caractéristiques techniques d'origine ont été restaurées par Hatco ou un centre de réparation agréé par Hatco. Hatco n'acceptera aucun retour de Produits sans qu'il n'ait auparavant donné son accord écrit, et tous ces retours approuvés doivent être effectués aux seuls frais de l'acheteur. HATCO NE SERA PAS TENU RESPONSABLE, DANS AUCUNE CIRCONSTANCE, DES DOMMAGES CONSÉCUTIFS OU INDIRECTS, COMPRENANT, MAIS NE SE LIMITANT PAS À, LES COÛTS DE MAIN-D'ŒUVRE OU PERTES DE PROFITS DUS À UNE UTILISATION OU À UNE IMPOSSIBILITÉ D'UTILISER LES PRODUITS OU DUS AU FAIT QUE LES PRODUITS ONT ÉTÉ INTÉGRÉS DANS OU QU'ILS SONT DEVENUS UN COMPOSANT DE TOUT AUTRE PRODUIT OU BIEN.

# AUTHORIZED PARTS DISTRIBUTORS • AUTORISÉS DISTRIBUTEURS DE PIÈCES

## ALABAMA

Jones McLeod Appl. Svc.  
Birmingham 205-251-0159

## ARIZONA

Service Solutions Group  
Phoenix 602-234-2443

Byassee Equipment Co.  
Phoenix 602-252-0402

## CALIFORNIA

Industrial Electric  
Commercial Parts & Service, Inc.  
Huntington Beach 714-379-7100

Chapman Appl. Service  
San Diego 619-298-7106

P & D Appliance  
Commercial Parts & Service, Inc.  
S. San Francisco 650-635-1900

## COLORADO

Hawkins Commercial Appliance  
Floewood 303-781-5548

## FLORIDA

Whaley Foodservice Repair  
Jacksonville 904-725-7800

Whaley Foodservice Repair  
Orlando 407-757-0851

B.G.S.I.  
Pompano Beach 954-971-0456

Comm. Appliance Service  
Tampa 813-663-0313

## GEORGIA

TWC Services  
Mableton 770-438-9797

Heritage Service Group  
Norcross 866-388-9837

Southeastern Rest. Svc.  
Norcross 770-446-6177

## HAWAII

Burney's Comm. Service, Inc.  
Honolulu 808-848-1466

Food Equip Parts & Service  
Honolulu 808-847-4871

## ILLINOIS

Parts Town  
Lombard 708-865-7278

Eichenauer Elec. Service  
Decatur 217-429-4229

Midwest Elec. Appl. Service  
Elmhurst 630-279-8000

Cone's Repair Service  
Moline 309-797-5323

## INDIANA

GCS Service  
Indianapolis 317-545-9655

## IOWA

Goodwin Tucker Group  
Des Moines 515-262-9308

## KENTUCKY

Service Solutions Group  
Lexington 859-254-8854

Service Solutions Group  
Louisville 502-451-5411

## LOUISIANA

Chandlers Parts & Service  
Baton Rouge 225-272-6620

## MARYLAND

Electric Motor Service  
Baltimore 410-467-8080

GCS Service  
Silver Spring 301-585-7550

## MASSACHUSETTS

Ace Service Co., Inc.  
Needham 781-449-4220

## MICHIGAN

Bildons Appliance Service  
Detroit 248-478-3320

Commercial Kitchen Service  
Bay City 517-893-4561

Midwest Food Equip. Service  
Grandville 616-261-2000

## MINNESOTA

GCS Service  
Minnetonka 800-822-2303  
x20365

## MISSOURI

General Parts  
Kansas City 816-421-5400

Commercial Kitchen Services  
St. Louis 314-890-0700

Kaemmerlen Parts & Service  
St. Louis 314-535-2222

## NEBRASKA

Anderson Electric  
Omaha 402-341-1414

## NEVADA

Burney's Commercial  
Las Vegas 702-736-0006

Hi. Tech Commercial Service  
N. Las Vegas 702-649-4616

## NEW JERSEY

Jay Hill Repair  
Fairfield 973-575-9145

Service Plus  
Flanders 973-691-6300

## NEW YORK

Acme American Repairs, Inc.  
Brooklyn 718-456-6544

Alpro Service Co.  
Brooklyn 718-386-2515

Appliance Installation  
Buffalo 716-884-7425

Duffy's Equipment Services, Inc.  
Buffalo 800-836-1014

3Wire Northern  
Plattsburgh 800-634-5005

Duffy's Equipment Services, Inc.  
Sauquoit 800-836-1014

J.B. Brady, Inc.  
Syracuse 315-422-9271

## NORTH CAROLINA

Authorized Appliance  
Charlotte 704-377-4501

## OHIO

Akron/Canton Comm. Svc. Inc.  
Akron 330-753-6635

Service Solutions Group  
Cincinnati 513-772-6600

Commercial Parts and Service  
Columbus 614-221-0057

Electrical Appl. Repair Service  
Brooklyn Heights 216-459-8700

E. A. Wichman Co.  
Toledo 419-385-9121

## OKLAHOMA

Hagar Rest. Service, Inc.  
Oklahoma City 405-235-2184

Krueger, Inc.  
Oklahoma City 405-528-8883

## OREGON

Ron's Service, Inc.  
Portland 503-624-0890

## PENNSYLVANIA

Elmer Schultz Services  
Philadelphia 215-627-5401

FAST Comm. Appl. Service  
Philadelphia 215-288-4800

Appliance Installation & Service  
Pittsburgh 412-809-0244

K & D Service Co.  
Harrisburg 717-236-9039

Electric Repair Co.  
Reading 610-376-5444

## RHODE ISLAND

Marshall Electric Co.  
Providence 401-331-1163

## SOUTH CAROLINA

Whaley Foodservice Repair  
W. Columbia 803-791-4420

## TENNESSEE

Camp Electric  
Memphis 901-527-7543

## TEXAS

GCS Service  
Fort Worth 800-433-1804

Armstrong Repair Service  
Houston 713-666-7100

Cooking Equipment Specialist  
Mesquite 888-866-9276

Refrigerated Specialist, Inc.  
Mesquite 888-866-9276

Commercial Kitchen Repair Co.  
San Antonio 210-735-2811

## UTAH

La Monica's Rest. Equip. Service  
Murray 801-263-3221

## VIRGINIA

Daubers  
Norfolk 757-855-4097

Daubers  
Springfield 703-866-3600

## WASHINGTON

3Wire Restaurant Appliance  
Seattle 800-207-3146

## WISCONSIN

A.S.C., Inc.  
Madison 608-246-3160

A.S.C., Inc.  
Milwaukee 414-543-6460

## CANADA

### ALBERTA

Key Food Equipment Service  
Edmonton 780-438-1690

### BRITISH COLUMBIA

Key Food Equipment Service  
Vancouver 604-433-4484

Key Food Equipment Service  
Victoria 250-920-4888

### MANITOBA

Air Rite, Inc.  
Winnipeg 204-895-2300

### NEW BRUNSWICK

EMR Services, Ltd.  
Moncton 506-855-4228

### ONTARIO

R.G. Henderson Ltd.  
Toronto 416-422-5580

Choquette - CKS, Inc.  
Ottawa 613-739-8458

### QUÉBEC

Choquette - CKS, Inc.  
Montreal 514-722-2000

Choquette - CKS, Inc.  
Québec City 418-681-3944

## UNITED KINGDOM

Marren Group  
Northants +44(0)1933 665313

### HATCO CORPORATION

P.O. Box 340500

Milwaukee, WI 53234-0500 U.S.A.

800-558-0607 414-671-6350

Parts and Service Fax 800-690-2966

International Fax 414-671-3976

partsandservice@hatcocorp.com

www.hatcocorp.com

### Register your unit online!

See IMPORTANT OWNER INFORMATION  
section for details.

### S'inscrire en ligne!

Lisez la section *INFORMATIONS IMPORTANTES*  
*POUR LE PROPRIÉTAIRE* pour plus de informations.