



Project \_\_\_\_\_

Item # \_\_\_\_\_

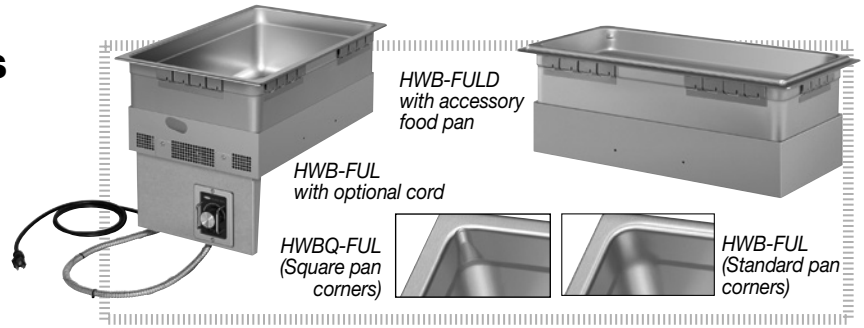
Quantity \_\_\_\_\_

## Built-In Full-Size Uninsulated Heated Wells

Models: HWBL-FUL, -FULD, -FULDA  
HWB-FUL, -FULD, -FULDA  
HWBH-FUL, -FULD, -FULDA

### With Square Corners

Models: HWBLQ-FUL, -FULD, -FULDA  
HWBQ-FUL, -FULD, -FULDA  
HWBHQ-FUL, -FULD, -FULDA



Hatco Built-In Rectangular Heated Wells provide flexibility and quality, with many options to choose from. These units hold steam table food hot and fresh with thermostats that read the actual temperatures and add heat only when needed.

### Standard features

- Rectangular Full-Size Uninsulated Heated Well in top or bottom mount
- Superior thermostat controls that read the actual temperature of the well and add heat only if needed
- Controls feature a separate lighted ON/OFF rocker switch and temperature dial, allowing preset temperatures to be maintained
- Low (120V only), Standard and High Watt available
- Available with or without a drain (50% larger drain with flat screen simplifies cleaning and holds pans level)
- EZ locking hardware for quick installation
- Thicker stainless steel construction and solid brazed joints for durability
- Easy service access to heating elements and thermostats

### Options (available at time of purchase only)

- Additional High Temp Power Supply Lead Wire available in one foot (305 mm) increments (Lead wire only – the lead wire extensions beyond the standard 3' conduit whip) *Models are shipped standard with 1' [305 mm] of lead wire extensions*
- Flexible Conduit between the control and the Rectangular Heated Well
  - Standard Flexible Conduit, 36" (914 mm)
  - Flexible Conduit, 72" (1829 mm)
- HWB-FUL, -FULD or HWBQ-FUL, FULD with Optional Cord (In lieu of conduit and lead wire, not available for auto-fill, )
- Control Box (Options not available for Auto-fill):
  - Standard Thermostat with 6' (1829 mm) Capillary (Standard 120V)
  - ITC Control with Large Control (Not available for low watt, auto-fill configurations or units without a drain)
  - Larger Recessed Thermostatic Control (Standard for 220/240V and not available for auto-fill configurations)
  - WM Control Assembly Replacement (Not available for auto-fill or export models)
- Control Box Bezel in *Designer* Colors (not available for the HWB-, HWBQ-FUL with Optional Cord, Nonstandard colors are non-returnable, Stainless Steel is standard)
  - Warm Red  Black  Gray Granite  White Granite
  - Navy Blue  Hunter Green  Antique Copper
- Left or Right Water Fill Hole for HWBL-, HWBLQ, HWB-, HWBQ, HWBH-, HWBHQ-FULDA only (Front is standard)
  - Right  Left

### Accessories

- Rectangular Full-Size Stainless Steel Food Pans:
  - Third-Size (2.5" [64 mm] H)  Half-Size (2.5" [64 mm] H)
  - Full-Size (2.5" [64 mm] H)  Full-Size (4" [101 mm] H)
  - Full-Size (6" [152 mm] H)
- Round Food Pans:
  - 4 Quart (4 Liter)  7 Quart (7 Liter)
- Hinged Lid for Round Pans:
  - 4 Quart (4 Liter)  7 Quart (7 Liter)
- Notched Lid for Round Pans:
  - 4 Quart (4 Liter)  7 Quart (7 Liter)
- Stainless Steel Wire Trivets:
  - Half-Size  Full-Size
- Adapter to Convert Warmers to hold Round Pans:
  - Holds three 4-Quart (4-Liter) Inserts  Holds two 7-Quart (7-Liter) Inserts
- Support Bars:
  - 12" (305 mm)  20" (508 mm)
- Mounting Kit for:
  - Combustible Countertops  Thick Countertops
  - 3/4" Ball Valve for Unit with Drains
  - 3/4" Gate Valve for Unit with Drains
  - Heated Well Remote Handle for 3/4" drains (Includes a Ball Valve)

**For operation, location and safety information, please refer to the Installation & Operating Manual.**



**HATCO CORPORATION** | P.O. Box 340500 Milwaukee, WI 53234-0500 U.S.A.  
(800) 558-0607 | (414) 671-6350 | www.hatcocorp.com | support@hatcocorp.com



# Built-In Full-Size Uninsulated Heated Wells

Models\*: HWBL-FUL, -FULD, -FULDA, HWB-FUL, -FULD, -FULDA, HWBH-FUL, -FULD, -FULD

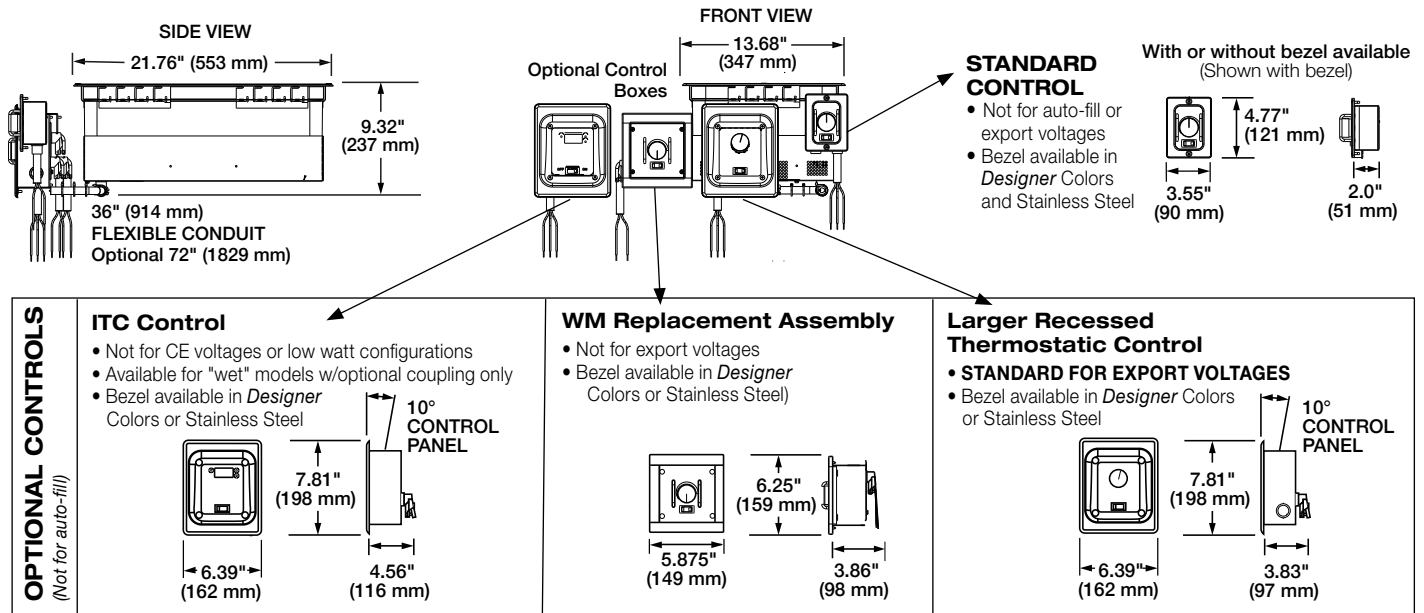
\*"Q" added to model name indicates unit with square corners (ex. HWBLQ-FUL).

## Ordering Instructions

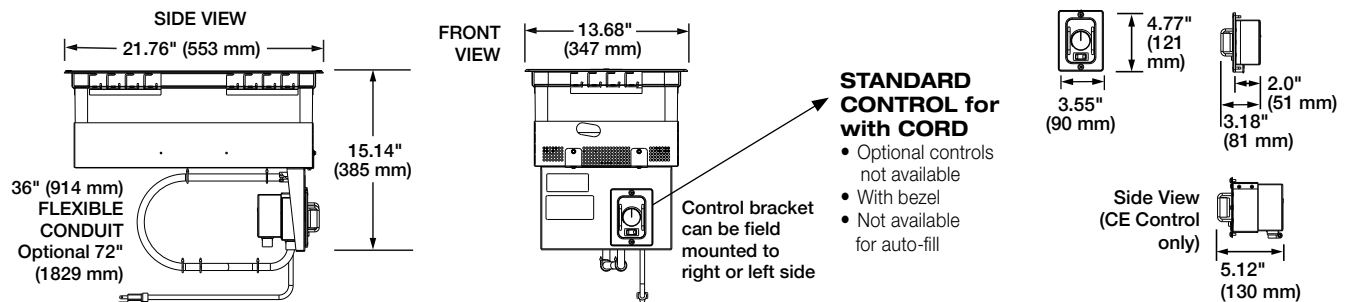
(Please specify the following with each order)

1. **Desired Voltage:** 120, 208, 220 or 240V  
(export voltage available)
2. **Pan Corners**
  - A. Rounded (Standard)
  - B. Square
3. **Drain** (With or without)
4. **Auto-fill** (With or without)
  - A. Front location (Standard)
  - B. Left location
  - C. Right location
5. **Mounting Style**
  - A. Top Mounted
  - B. Bottom Mounted
6. **Wattage**
  - A. High Watt
  - B. Standard Watt
  - C. Low Watt (120V only)
7. **Agency:**
  - A. UL, C-UL
  - B. UL-EPH (Sanitary listing)
  - C. CE mark available

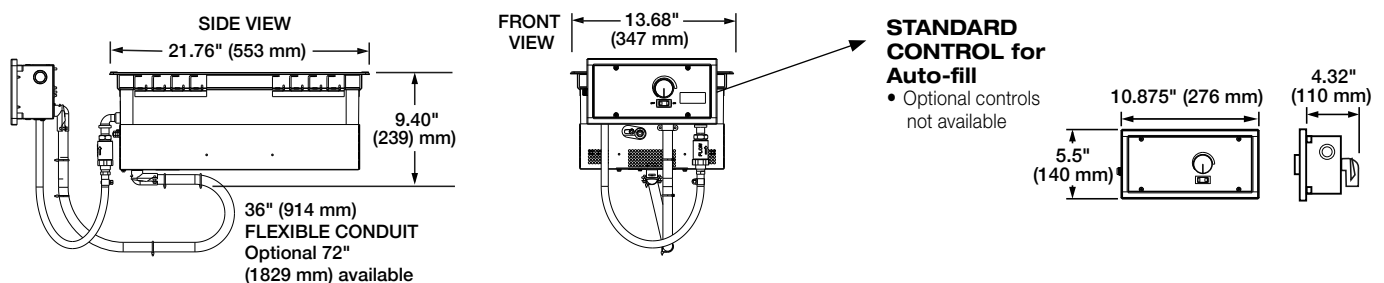
## Uninsulated Top Mount Heated Wells — HWB-, HWBQ-FUL, -FULD



## HWB-, HWBQ-FUL, -FULD-Cord Series



## HWB-, HWBQ-FULDA (Auto-fill)

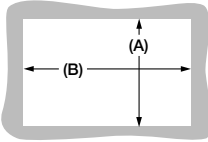




# Built-In Full-Size Uninsulated Heated Wells

Models\*: HWBL-FUL, -FULD, -FULDA, HWB-FUL, -FULD, -FULDA, HWBH-FUL, -FULD, -FULD  
 \* "Q" added to model name indicates unit with square corners (ex. HWBLQ-FUL).

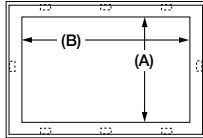
Non-Combustible  
Countertop  
Opening  
("Rectangular"  
cut-out)



## Cutout Dimensions for Non-Combustible Countertops

Model	Minimum Width (A)	Maximum Width (A)	Minimum Depth (B)	Maximum Depth (B)
HWB-, HWBIQ-FUL Series	12.625" (321 mm)	12.94" (328 mm)	20.625" (524 mm)	20.94" (531 mm)
HWB-, HWBQ-FULDA Series	12.625" (321 mm)	12.94" (328 mm)	20.625" (524 mm)	20.94" (531 mm)

Combustible  
Countertop  
Opening  
("Rectangular"  
cut-out)



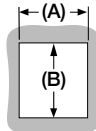
## Cutout Dimensions for Combustible Countertops ▲

Model	Minimum Width (A)	Maximum Width (A)	Minimum Depth (B)	Maximum Depth (B)
HWB-, HWBIQ-FUL Series	14" (356 mm)	14.25" (362 mm)	22" (559 mm)	22.25" (565 mm)
HWB-, HWBQ-FULDA Series	14" (356 mm)	14.25" (362 mm)	22" (559 mm)	22.25" (565 mm)

▲ Accessory Mounting Kit required for Top Mounts

## Cutout Dimensions for Control Boxes

Control Box Opening  
(Larger Recessed  
Thermostatic shown)



Control Box	Width (A)	Height (B)	International Models
Standard Thermostatic without bezel	2.16" (55 mm)	3.375" (86 mm)	Not available
Standard Thermostatic with bezel	3.25" (83 mm)	3.75" (95 mm)	Not available
Optional Larger Recessed Thermostatic	5.875" (149 mm)	6.375" (162 mm)	Standard
Optional ITC Electronic (not available for 4-QT [4-Liter]) or Low Watt	5.875" (149 mm)	6.375" (162 mm)	Optional
Optional WM Assembly Replacement	4.78" (121 mm)	5.00" (127 mm)	Not available
Standard Auto-fill	10.125" (257 mm)	4.75" (121 mm)	Standard

## Full Size Uninsulated Rectangular Models

The shaded areas contain electrical information for International models only

	Model	Dimensions (Width x Depth x Height)	Volts (Single Phase)	Watts	Amps	Optional Plug Hardwired Standard	Control Configuration*		Ship Weight**
							Standard	Optional	
Low Watt	HWBL-FUL, HWBL-FULD, HWBLQ-FUL, HWBLQ-FULD, (Top or Bottom Mount)	13.68" x 21.76" x 9.32" (347 x 553 x 237 mm)  Optional HWB-Cord, HWBQ-Cord: 13.68" x 21.76" x 15.14" (347 x 553 x 385 mm) †	120	750	6.3	NEMA 5-15P	Compact Thermostatic (with bezel)	WM or Larger Recessed Thermostatic Controls	22 lbs. (10 kg)
	Not Available	Auto-fill					None	30 lbs. (14 kg)	
	HWBL-FULDA, HWBLQ-FULDA (Top or Bottom Mount)	13.68" x 21.76" x 9.40" (347 x 553 x 239 mm)							
Standard Watt	HWB-FUL HWB-FULD HWBQ-FUL HWBQ-FULD (Top or Bottom Mount)	13.68" x 21.76" x 9.32" (347 x 553 x 237 mm)  Optional HWB-Cord, HWBQ-Cord: 13.68" x 21.76" x 15.14" (347 x 553 x 385 mm) †	120	1200	10.0	NEMA 5-15P	Compact Thermostatic (with bezel)	WM, Larger Recessed or ITC Electronic Controls* (*HWB-FULD only)	22 lbs. (10 kg)
	208	5.8	NEMA 6-15P						
	240	5.0	NEMA 6-15P						
	220	5.5	CEE 7/7 SCHUKO,						
	220-230 (CE)		CEE 7/7 SCHUKO, CCC						
	240		BS-1363 or AS 3112						
	230-240 (CE)	5.0	BS-1363						
	HWB-FULDA HWBQ-FULDA (Top or Bottom Mount)	13.68" x 21.76" x 9.40" (347 x 553 x 239 mm)	120	1215	10.1	Not Available	Auto-fill	None	30 lbs. (14 kg)
208	5.8								
240	5.1								
220	5.5	Not Available	Auto-fill		None				
220-230 (CE)	5.5/5.8								
240	5.1								
230-240 (CE)	4.9/5.1								

† Only control for optional HWB-, HWBQ-Cord is the Thermostatic Control with bezel.



# Built-In Full-Size Uninsulated Heated Wells

Models\*: HWBL-FUL, -FULD, -FULDA, HWB-FUL, -FULD, -FULDA, HWBH-FUL, -FULD, -FULD  
 \* "Q" added to model name indicates unit with square corners (ex. HWBLQ-FUL).

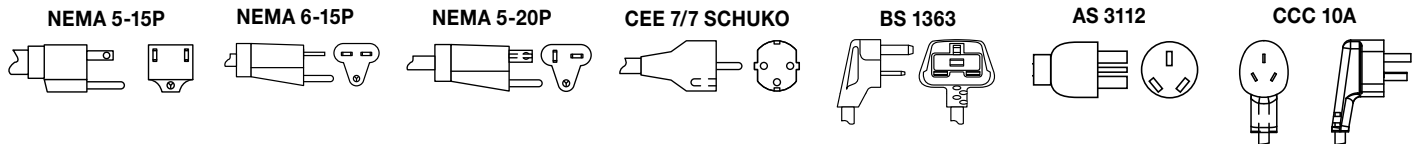
## Full Size Uninsulated Rectangular Models

The shaded areas contain electrical information for International models only

	Model	Dimensions (Width x Depth x Height)	Volts (Single Phase)	Watts	Amps	Optional Plug Hardwired Standard	Control Configuration*		Ship Weight*			
							Standard	Optional				
High Watt	HWBH-FUL HWBH-FULD HWBHQ-FUL HWBHQ-FULD (Top or Bottom Mount)	13.68" x 21.77" x 9.32" (347 x 553 x 237 mm)  Optional HWB-Cord, HWBQ-Cord: 13.68" x 21.77" x 15.14" (347 x 553 x 385 mm) †	120	1650	13.8	NEMA 5-20P	Compact Thermostatic (with bezel)	WM Assembly, Larger Recessed or ITC Electronic Control* (*HWBH-FULD only)	22 lbs. (10 kg)			
			208		7.9	NEMA 6-15P						
			240		6.9							
			220	1650	7.5	CEE 7/7 SCHUKO	Larger Recessed Thermostatic	ITC Electronic Control (HWBH- FULD and non-CE only)				
			220-230 (CE)			CEE 7/7 SCHUKO, CCC						
			240		6.9	BS-1363 or AS 3112						
			230-240 (CE)			BS-1363						
			HWBH-FULDA HWBHQ-FULDA (Top or Bottom Mount)	13.68" x 21.77" x 9.40" (347 x 553 x 239 mm)	120	1665	13.9	Not Available		Auto-fill	None	30 lbs. (14 kg)
					208		8.0					
					240		6.9					
220	1665	7.6			Not Available	Auto-fill	None					
220-230 (CE)	1665/1820	7.6/7.9										
240	1665	6.9										
230-240 (CE)	1529/1665	6.6/6.9										

† Only control for optional HWB-, HWBQ-Cord is the Thermostatic Control with bezel.

## PLUG CONFIGURATIONS (Optional)



## PRODUCT SPECS Built-In Rectangular Uninsulated Heated Wells

The Built-In Rectangular Uninsulated Heated Well with or without cord and plug or with rounded or square corners shall be a Model ...as manufactured by the Hatco Corporation, Milwaukee, WI 53234 U.S.A.

Built-in Rectangular Uninsulated Heated Well shall be rated at ...watts, ...volts, and be...inches (millimeters) in overall width and be ...inches (millimeters) in overall depth. It shall consist of stainless and aluminized steel housing with a metal sheathed

heating element, EZ locking hardware for installation, and a remote thermostat with lighted power switch.

Accessories may include stainless steel mounting kit, adapter bars, adapter top, support bars, food pans, remote handle and valves.

Warranty consists of 24/7 parts and service assistance (US and Canada only).