

## SERVICE PARTS MANUAL Storage Bins



**B25PP**  
**B25PP**



**B40B**



**B42B**



**B55B**



**B100B**  
**B110B**

14-1018-B

Date 2/3/17

This parts list contains the service parts available for the Ice-O-Matic storage bins listed below.

**B25PP**      **From Serial Number 13011320011089 to 15031320014759**

**B25PP**      **From Serial Number 15071280013855**

**B42B**

**B40B**

**B55B**

**B100B**

**B110B**

Check the model number on the data plate and refer to the correct listing for the specific component.

Check carefully that the correct part is identified and ordered.

**Table of Contents** **Page 1**

<b>B25PP</b> <b>From Serial Number 1301<u>1320011089</u> to 1503<u>1320014759</u></b>	<b>Page 2</b>
--	---------------

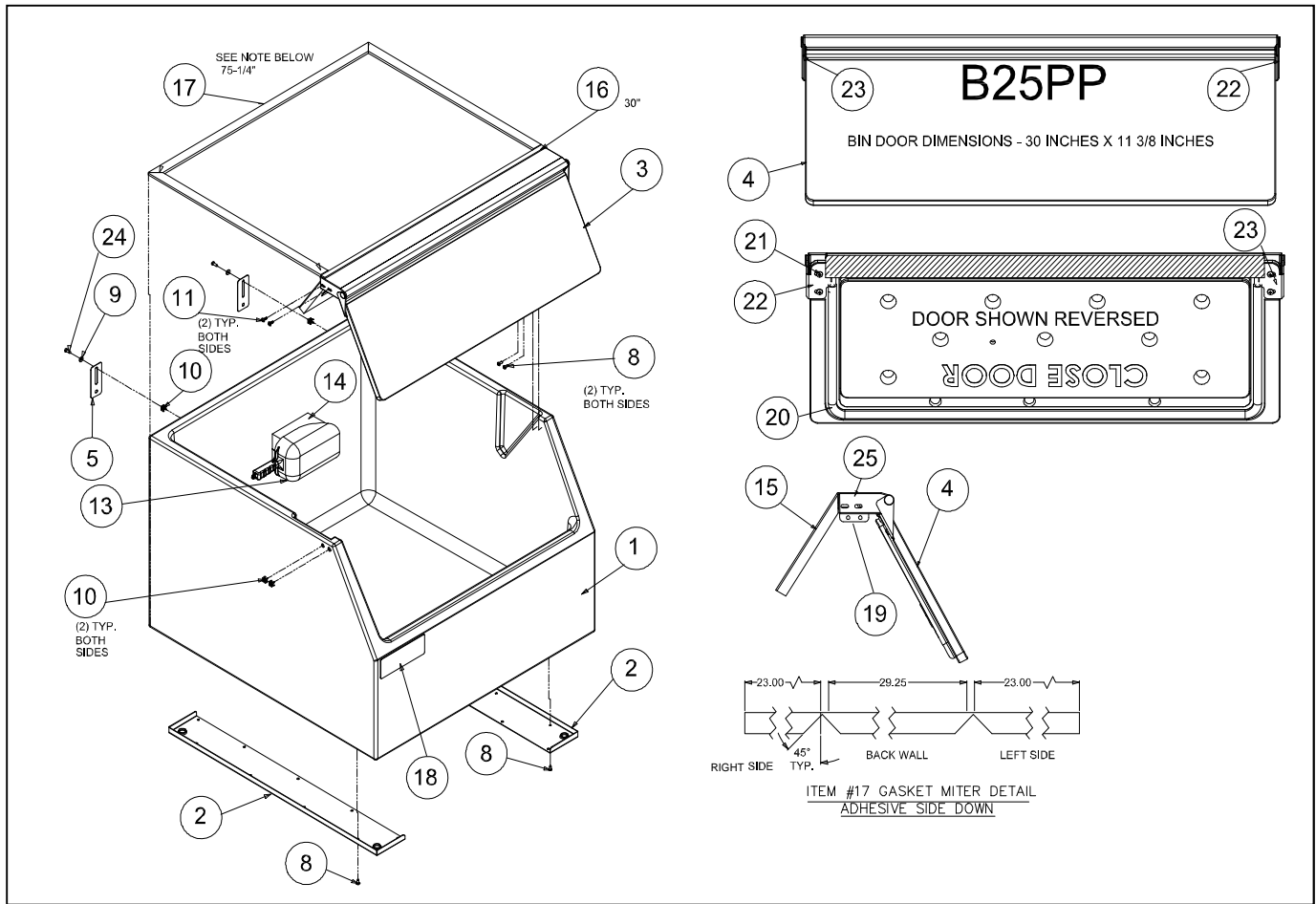
<b>B25PP</b> <b>From Serial Number 1507<u>1280013855</u></b>	<b>Page 3</b>
---	---------------

<b>B42B</b>	<b>Page 4</b>
<b>B40B</b>	<b>Page 4</b>
<b>B55B</b>	<b>Page 4</b>
<b>B100B</b>	<b>Page 4</b>
<b>B110B</b>	

<b>B42B</b>	<b>Page 5</b>
<b>B40B</b>	<b>Page 5</b>
<b>B55B</b>	<b>Page 5</b>
<b>B100B</b>	<b>Page 5</b>
<b>B110B</b>	

<b>RED=NLA-NR NO LONGER AVAILABLE-NO REPLACEMENT</b>	
<b>B75</b>	<b>Page 6</b>
<b>B70-B90</b>	<b>Page 7</b>
<b>B120,B130, B150, B170</b>	<b>Page 8</b>

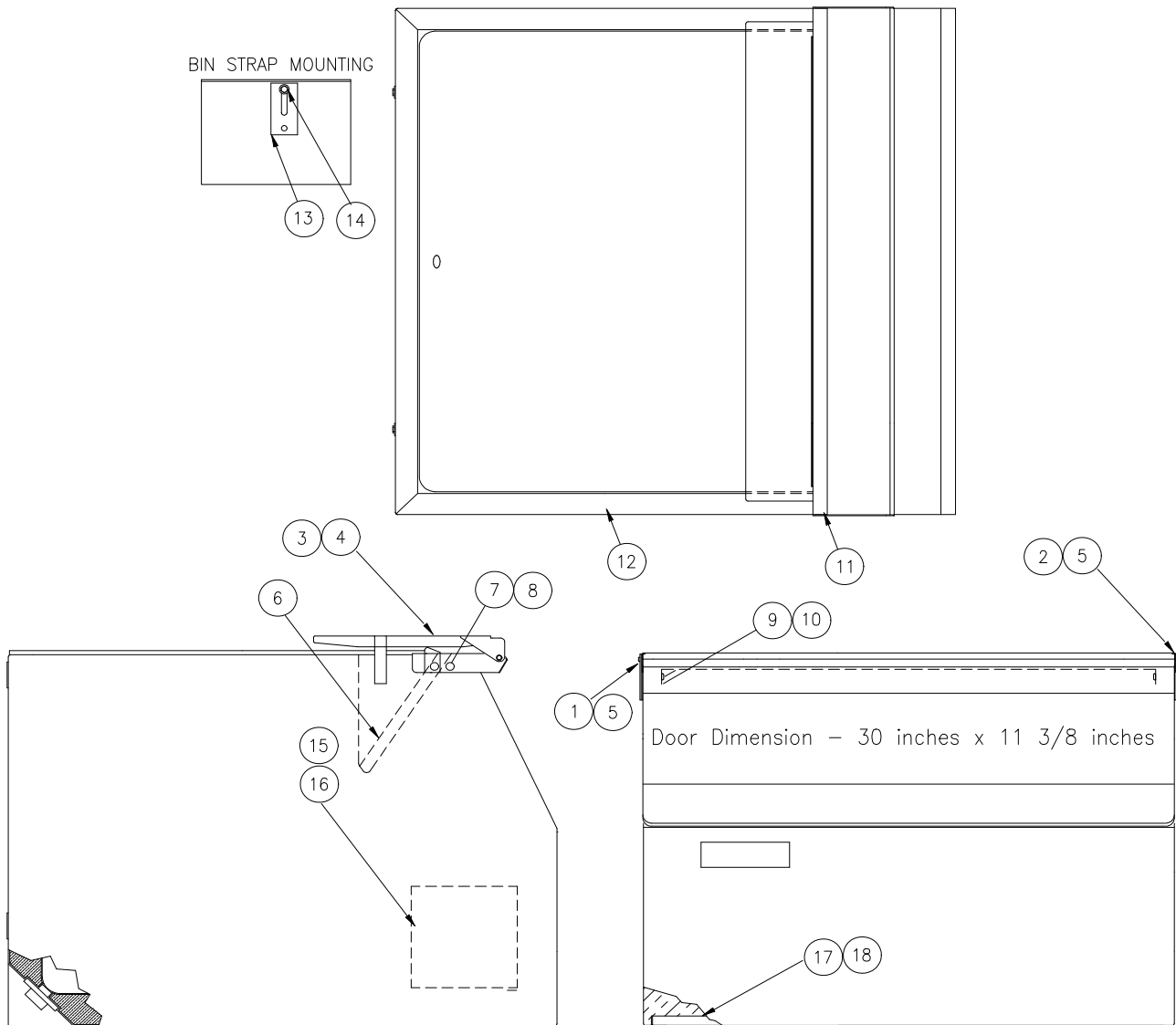
From Serial Number 13011320011089 to 15031320014759



From Serial Number 13011320011089 to 15031320014759

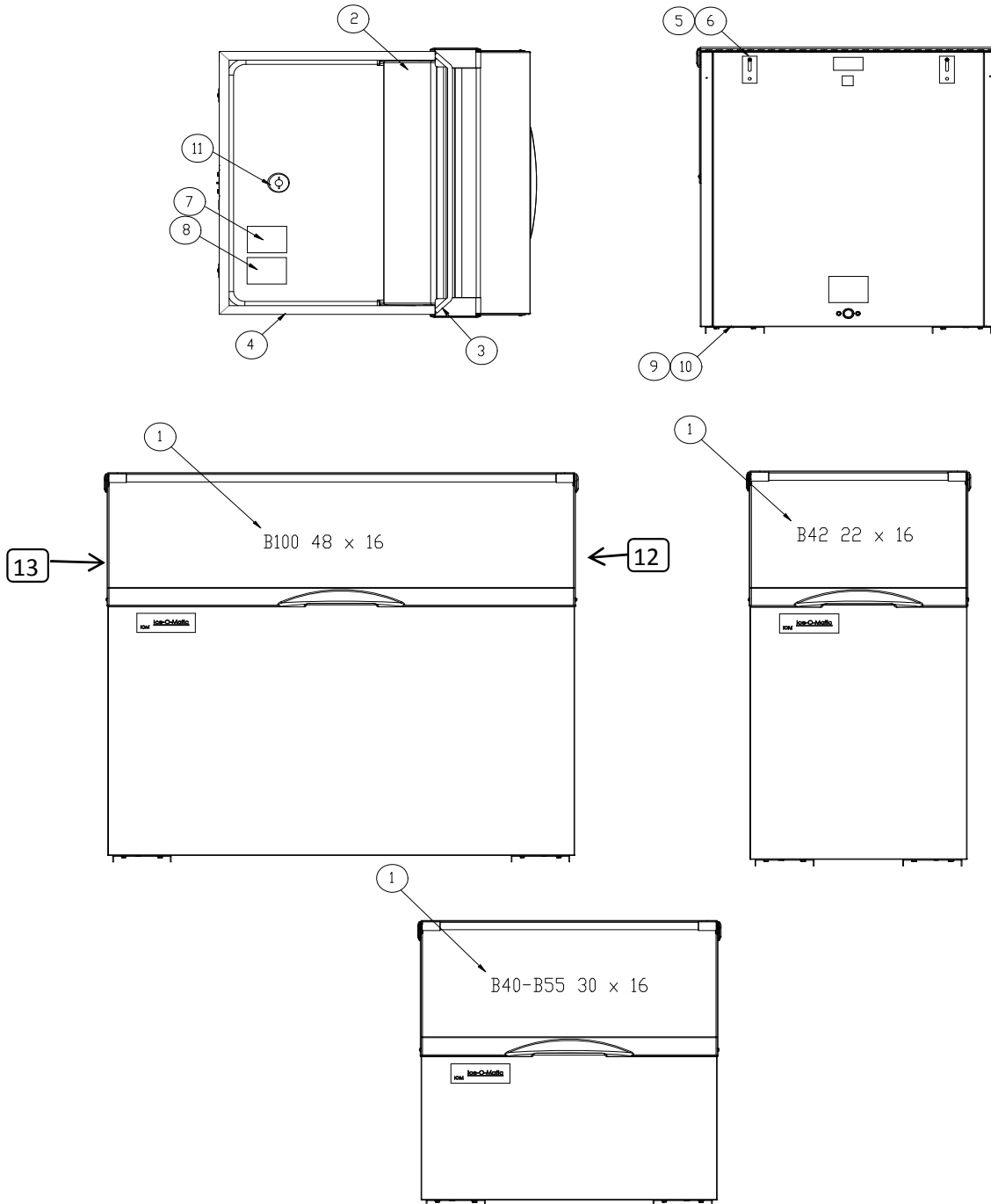
Item	Part Number	Description
1	1011515-01	Bin Assembly (Box Only)
2	1011515-02	Leg Support
3	1011515-03	Door / Shield Assembly (Includes Items 4,15,19,20,21,22,23 and 25)
4	1011515-04	Bin Door (Less Gasket see Item 20)
5	3012608-01	Bin Connecting Strap
6	1011515-06	Skid
7	1011515-07	Carton
8	1011515-08	Screw #10 x 1/2 PH SS (Stiffner Screws)
9	9031003-10	Flat Washer #10
10	9031141-01	Plastic Nut
11	1011515-11	Screw #10 x 1/2 Truss HD S.S.
12	1011515-12	Bolt, 5/8-11 x 1 1/4 (Bin to Skid)
13	9051127-01	Bin Scoop
14	1011515-14	Leg Set (5/8 x 11 Thread)
15	1011515-15	Ice Deflector Drip Shield
16	1011515-16	Drip Shield Gasket (Gasket 1/8 x 1/2 x 30 inches)
17	1011515-17	Bin Perimeter Gasket (Gasket 1/4 x 1 x 75.25 inches)
18	9031001-33	IOM Logo
19	1011515-19	Drip Shield Brace
20	1011515-20	Bin Door Gasket (45 Inches Required)
21	9031008-15	Door Hinge Screw
22	1011515-22	Hinge Bracket Right Hand
23	1011515-23	Hinge Bracket Left Hand
24	9031113-03	Screw, Bin Connecting Strap
25	1011515-25	Drip Shields Brace Screw

From Serial Number 15071280013855



From Serial Number 15071280013855

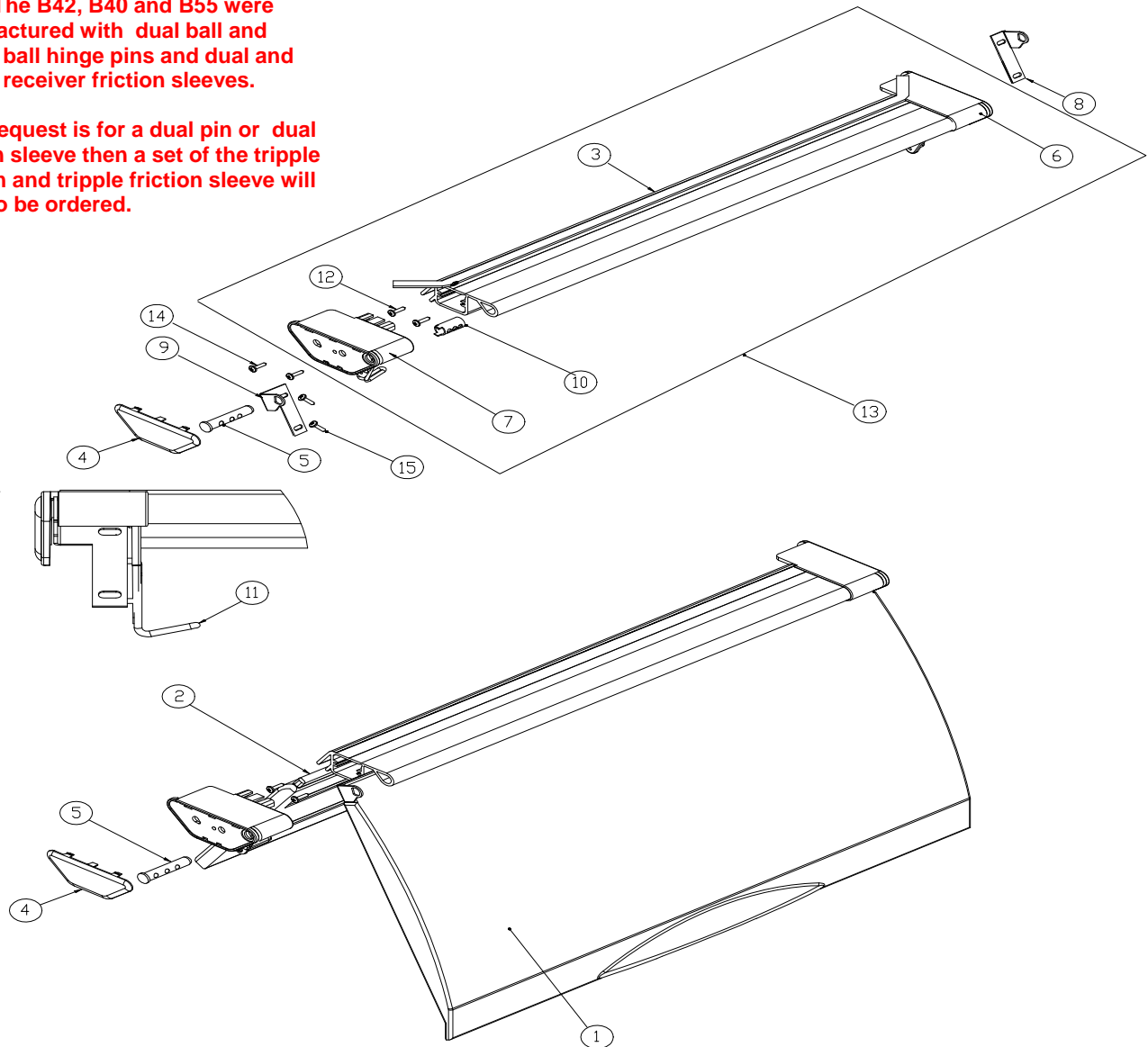
Item	B25PP Bin	Description
1	2031302-01	Pivot Bracket-Left Hand
2	2031302-02	Pivot Bracket-Right Hand
3	2031303-97	Door, 30 x 11.375 Black Only (Includes Gasket)
4	6081036-01	Door Gasket 3.87 Ft. Required
5	9031008-15P	Screw-Pivot Bracket to Door
6	2101252-01	Drip Shield/Ice Deflector (Includes item 9)
7	9031098-05P	Drip Shield Screw
8	9031141-01P	Plastic Nut
9	3012646-03	Drip Shield Stainless Steel Brace
10	9031113-04P	Drip Shield Stainless Steel Brace Screws
11	6081004-07	Drip Shield Gasket 2.50 Ft Required
12	6081004-06	Bin Perimeter Gasket 6.42 Ft. Required
13	3012608-01	Connecting Strap
14	9031113-03P	Connecting Strap Screw
15	9021001-04	Legs (Set of 4)
16	9051127-01	Ice Scoop
17	2031453-01	Leg Support (Includes Nut Retainers)
18	9031012-02P	Leg Nut Retainer



Item	B42B	B40B-B55B	B100B/B110	Description
1	9051559-03	9051559-01	9051559-02	Bin Door, Less Bin Door Brackets
2	9051566-03	9051566-01	9051566-02	Ice Deflector
3	6081004-07	6081004-07	6081004-07	Gasket <b>B100=4.0 ft B40/55=2.52 ft B42=1.85 ft</b>
4	6081037-01	6081037-01	6081037-01	Gasket L Shape <b>B100=7.6 ft B40/55=6.2 ft B42=5.5 ft</b>
5	3012608-01	3012608-01	3012608-01	Connecting Strap
6	9031113-04P	9031113-04P	9031113-04P	Connecting Strap Screw
7	9021001-04	9021001-04	9021001-04	Leg Set (4)
8	9051127-01	9051127-01	9051127-01	Ice Scoop
9	2031310-03S	2031310-03S	2031310-03S	Leg Support (Includes Nut Retainers)
10	9031012-02P	9031012-02P	9031012-02P	Nut Retainer 1/2-13
11	9051126-01	9051126-01	9051126-01	Drain Plug
12	9051569-01	9051569-01	9051569-01	Trim Strip, Right Hand
13	9051569-02	9051569-02	9051569-02	Trim Strip, Left Hand

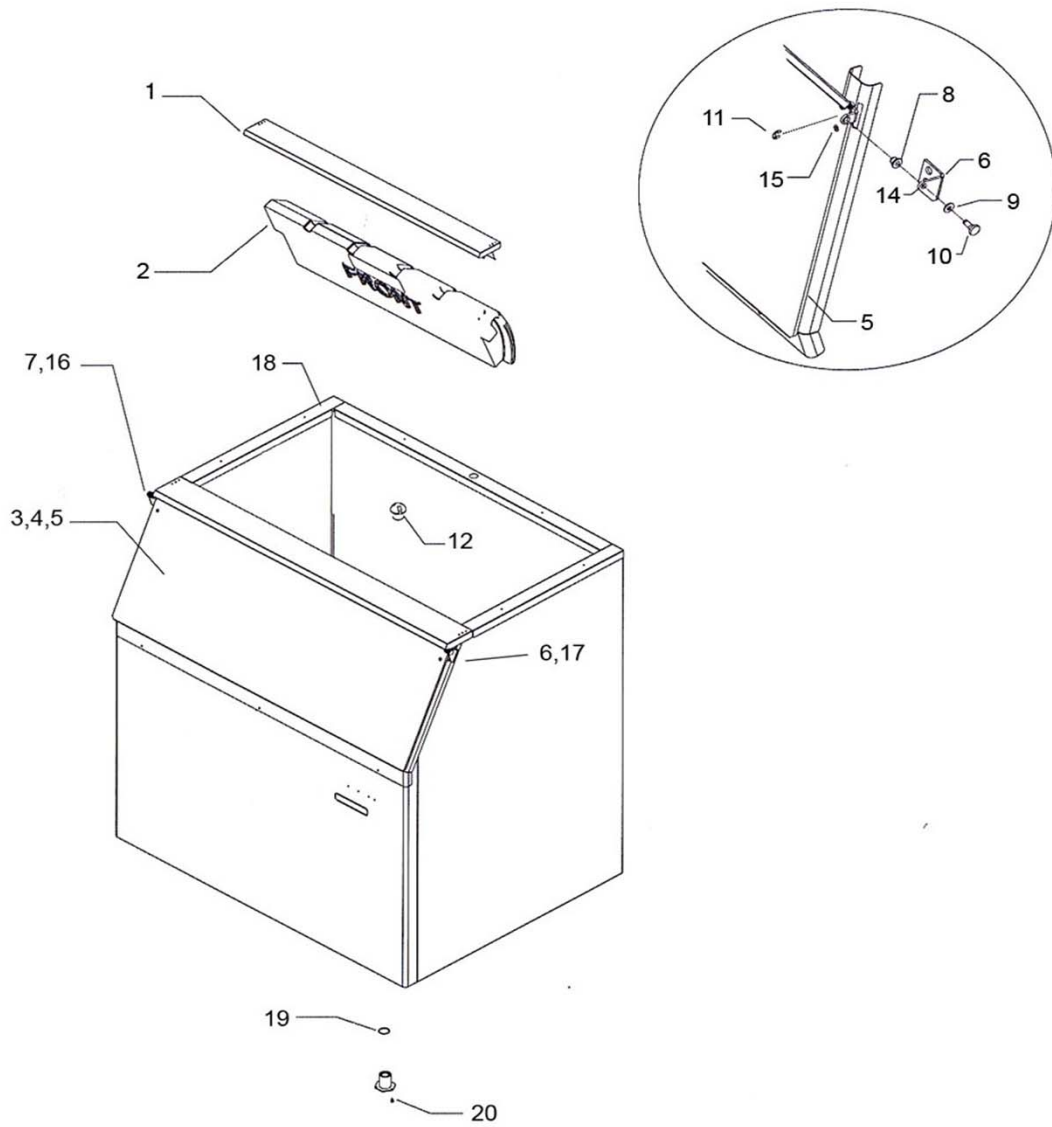
Note: The B42, B40 and B55 were manufactured with dual ball and tripple ball hinge pins and dual and tripple receiver friction sleeves.

If the request is for a dual pin or dual friction sleeve then a set of the tripple ball pin and tripple friction sleeve will need to be ordered.

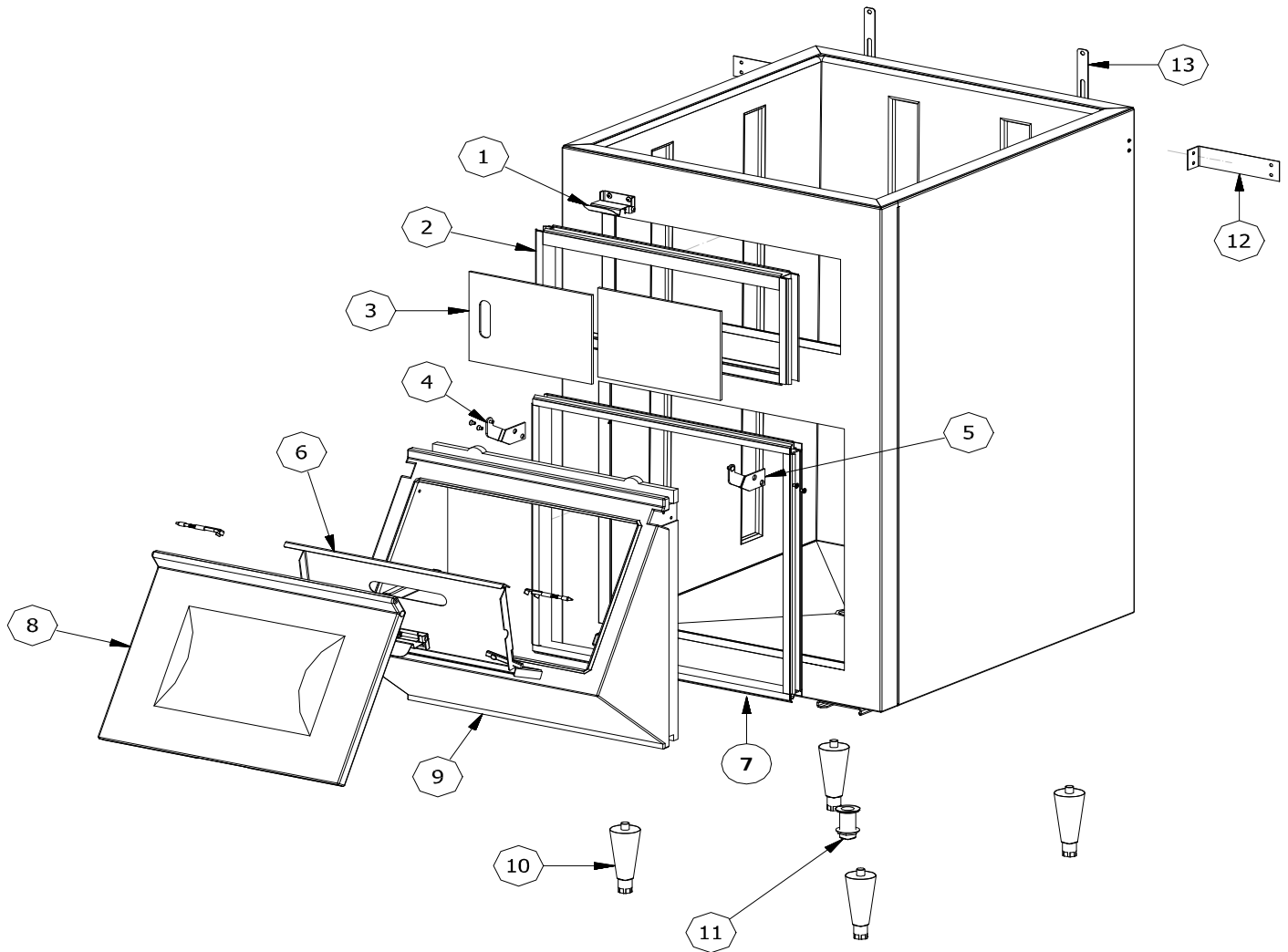


Item	B42B	B40B-B55B	B100B/B110	Description
1	9051559-03	9051559-01	9051559-02	Bin Door, Less Bin Door Brackets
2	9051566-03	9051566-01	9051566-02	Ice Deflector
3	9051629-03	9051629-01	9051629-02	Drip Shield (9051561-01,-02,-03 are NLA)
4	9051567-01	9051567-01	9051567-01	End Cap Cover
5	See Notes	See Notes	9021110-02	Pin, Hinge (Triple)
5	NLA	NLA		Pin, Hinge (Double) See Note Below
6	9051560-01	9051560-01	9051560-01	End Cap, Right
7	9051560-02	9051560-02	9051560-02	End Cap, Left
8	3013360-01	3013360-01	3013360-01	Bracket, Bin Door Right
9	3013360-02	3013360-02	3013360-02	Bracket, Bin Door Left
10	See Notes	See Notes	9021109-02	Sleeve, Friction (Triple)
10	NLA	NLA		Sleeve, Friction (Dual) See Note Below
11	9131471-02	9131471-02	9131471-02	Hanger, Ice Scoop (9131471-02 is NLA)
12	9031113-03P	9031113-03P	9031113-03P	Screw, Drip Shield to End Cap (2 per Side)
13	2101452-03S	2101452-01S	2101452-02S	Drip Shield Assembly (Includes Item 3,6,7,10,11 and 12)
14	9031098-05P	9031098-05P	9031098-05P	Screw, Drip Shield Assembly to Bin Side Panel (2 Per Side)
15	9031008-15P	9031008-15P	9031008-15P	Screw, Bin Door Hinge (2 per Hinge Required)

Note: The Double Ball Hinge Pin and Double Friction Sleeve are No Longer Available  
 The Triple Ball Hinge Pin and Triple Ball Friction Sleeve must be ordered.



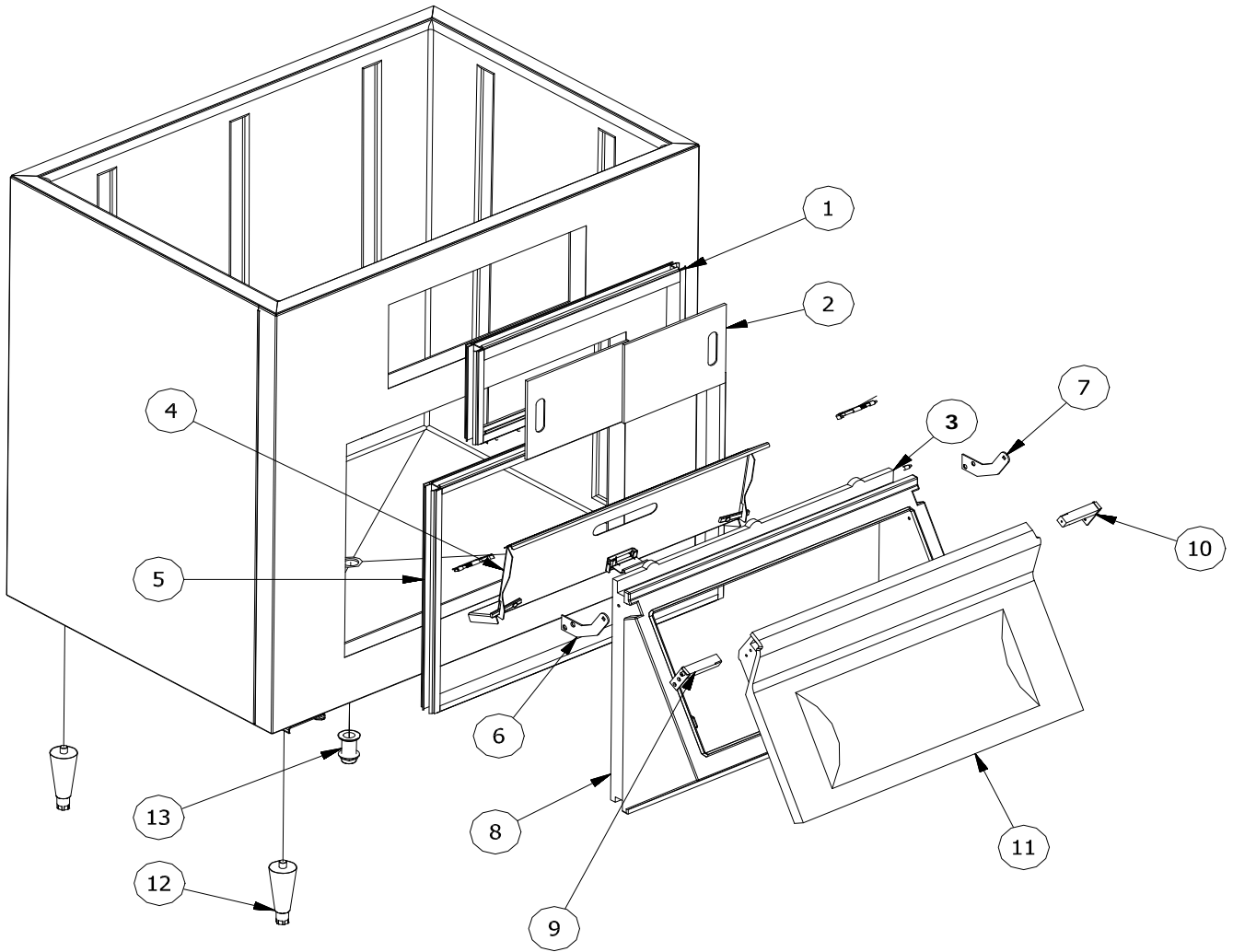
Item	B75	Description
1	1011369-01	Canopy
2	1011369-02	Baffle
3	1011369-03	Door Assembly
4	1011369-04	Drip Molding
5	1011369-05	Door Gasket (10 Feet Required)
6	1011369-06	Hinge R/H
7	1011369-07	Hinge L/H
8	1011369-08	Hinge Bushing
9	1011369-09	Hinge Spacer
10	1011369-10	Shoulder Screw
11	1011369-11	E-Clip
12	1011369-12	Drain Top
13	1011369-13	Legs, Painted (Set of 4)
14	1011369-14	Screw - Hinge to Frame
15	1011369-15	Screw - Hinge to Door
16	1011369-16	Door Hinge L/H
17	1011369-17	Door Hinge R/H
18	1011339-104	Gasket
19	1011351-69	O-Ring
20	1011351-05	Drain Bottom



Item	B70	B90	Description
1	1011457-29	1011457-29	Snout Door Catch Bracket
2	1011457-12	1011457-12	View Window Extrusion Kit
3	1011457-13	1011457-13	View Window (2 ea.)
4	1011457-26	1011457-26	Poly Snout Door Hinge Left Hand
5	1011457-27	1011457-27	Poly Snout Door Hinge Right Hand
6	1011457-18	1011457-18	Snout Baffle
7	1011457-14	1011457-14	Poly Snout Extrusion Kit
8	1011457-20	1011457-20	Poly Snout Door
9	1011457-22	1011457-22	Poly Snout
10	1011457-24	1011457-24	Leg (Set of 4)
11	1011457-25	1011457-25	Plastic Drain
12	1011457-04	1011457-04	Wall Bracket (2 ea.)
13	1011457-05	1011457-05	Ice Maker Bracket (2 ea.)
	1011457-07	1011457-07	B70/90 30 Inch Adapter Top
	1011457-06	1011457-06	B70/90 1506 Adapter Top
	1011457-01	1011457-01	48 inch Paddle
	1011457-02	1011457-02	60 inch Paddle
	1011457-03	1011457-03	Ice Paddle Bracket

RED=NLA-NR NO LONGER AVAILABLE-NO REPLACEMENT





Item	B120	B130	B150	B170	Description
1	1011457-12	1011457-12	1011457-12	1011457-12	View Window Extrusion Kit
2	1011457-13	1011457-13	1011457-13	1011457-13	View Window (2 ea.)
3	1011457-28	1011457-28	1011457-28	1011457-28	Snout Assembly (Includes 4,6,7,8,9,10 & 11)
4	1011457-19	1011457-19	1011457-19	1011457-19	Snout Baffle
5	1011457-15	1011457-15	1011457-15	1011457-15	Poly Snout Extrusion Kit
6	1011457-27	1011457-27	1011457-27	1011457-27	Poly Snout Door Hinge Right Hand
7	1011457-26	1011457-26	1011457-26	1011457-26	Poly Snout Door Hinge Left Hand
8	1011457-23	1011457-23	1011457-23	1011457-23	Poly Snout
9	1011457-17	1011457-17	1011457-17	1011457-17	Spring Loaded Snout Door Hinge Left Hand
10	1011457-16	1011457-16	1011457-16	1011457-16	Spring Loaded Snout Door Hinge Right Hand
11	1011457-21	1011457-21	1011457-21	1011457-21	Poly Snout Door
12	1011457-24	1011457-24	1011457-24	1011457-24	Leg (Set of 4)
13	1011457-25	1011457-25	1011457-25	1011457-25	Plastic Drain

1011457-01	1011457-01	1011457-01	1011457-01	48 inch Paddle
1011457-02	1011457-02	1011457-02	1011457-02	60 inch Paddle
1011457-03	1011457-03	1011457-03	1011457-03	Ice Paddle Bracket
1011457-08	1011457-08	NA	NA	48 inch Poly Top
NA	NA	1011457-09	1011457-09	60 inch Poly Top
1011457-10	1011457-10	1011457-10	1011457-10	9 inch Filler Panel
1011457-11	1011457-11	1011457-11	1011457-11	13 inch Filler Panel

RED=NLA-NR NO LONGER AVAILABLE-NO REPLACEMENT