



SERVICE PARTS MANUAL
CIM SERIES
CIM0825, CIM0826, CIM1125 CIM1126



This parts list contains the service parts available for the following CIM Series.

CIM0826 208-230/60/1

CIM0825 220-240/50/1

CIM1126 208-230/60/1

CIM1125 220-240/50/1

Model Number Example

CIM0826HA

CIM = **C**uber **I**ce **M**achine

08 = 800 lb, in 24 hours capacity

2 = 22 inch wide cabinet

0 = 115 Volt, **5** = 220-240/50/1 **6** = 208-230/60/1 Volt

H = Half Cube Size, **F** = Full Cube Size

A = Air Cooled Condenser, **W** = Water Cooled Condenser **R**=Remote Condenser

Check the model number on the data plate and refer to the correct listing for the specific component.

Check carefully that the correct part is identified and ordered.

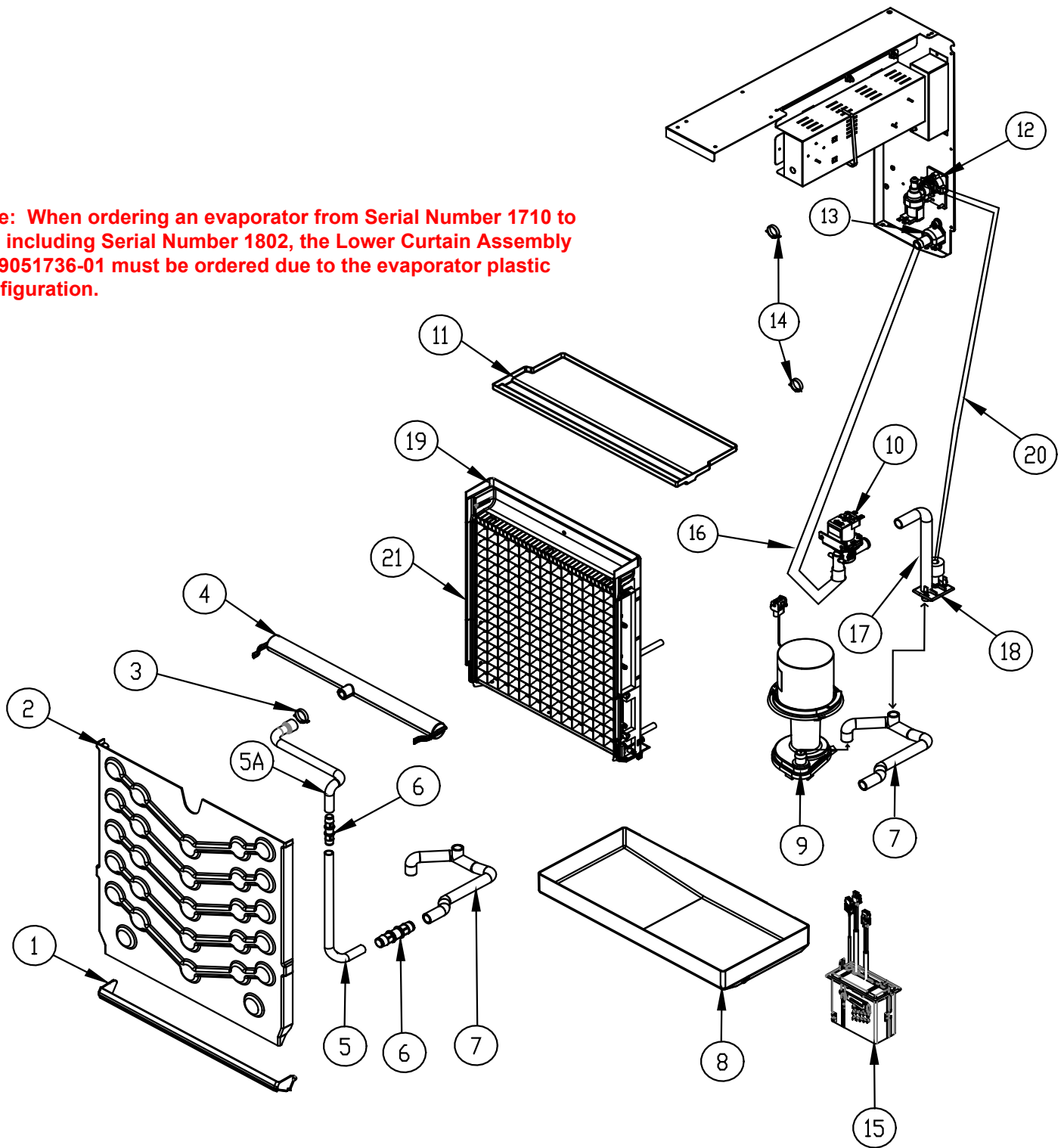
| | |
|-----------------------------|-------------------|
| Table of Contents | Page 1 |
| Cabinet | Page 2-3 |
| Water System | Page 4-5 |
| Air Cooled Condenser | Page 6-7 |
| Remote Condenser | Page 8-9 |
| Electrical | Page 10-11 |

Ice-O-Matic
11100 East 45th Ave.
Denver Co. 80239
800-423-3367

| Item No. | Model Number | | | | Description |
|----------|--------------|--|-------------|--|---|
| | CIM0826 | | CIM1126 | | |
| 1 | 2031545-01S | | 2031545-01S | | Front Panel |
| 2 | 9031237-01P | | 9031237-01P | | Front Panel Screws |
| 3 | 3022007-05 | | 3022007-05 | | Left Side Side Panel |
| 4 | 2101496-01S | | 2101496-01S | | Top Panel-Air Cooled |
| 5 | 3022012-01 | | 3022012-01 | | Top Panel-Remote and Water Cooled |
| 6 | 9031046-01P | | 9031046-01P | | Rear Cover Screws |
| 7 | 3013634-04 | | 3013634-04 | | Rear Cover |
| 8 | 3022007-06 | | 3022007-06 | | Right Side Panel-Remote and Water Cooled |
| 9 | 3022007-04 | | 3022007-04 | | Right Side Panel-Air Cooled |
| 10 | 3013674-01 | | 3013674-01 | | Junction Box Cover |
| 11 | 9031046-01P | | 9031046-01P | | Junction Box Screw |
| 12 | 3013691-01 | | 3013691-01 | | Top Right Frame Work |
| 13 | 2021810-01 | | 2021810-01 | | Left Side Frame Top |
| 14 | 3013637-01 | | 3013637-01 | | Brace 22 Inch |
| 15 | 3013636-01 | | 3013636-01 | | Rear Brace |
| 16 | 9051725-01 | | 9051725-01 | | Base |
| 17 | 2021800-01 | | 2021800-01 | | Front Left Brace |
| 18 | 2021800-02 | | 2021800-02 | | Front Right Brace |
| 19 | 2021808-01 | | 2021808-01 | | Right Rear Corner |
| 20 | 2021803-01 | | 2021803-01 | | Left Rear Corner Post |
| 21 | 9011369-03 | | 9011369-03 | | Elevation Skid 22 Inch |
| 22 | 9011378-02 | | 9011378-02 | | Carton Liner 22 Inch |
| 23 | 9051765-01 | | 9051765-01 | | Shipping Bracket 2 Req. (Field Installed) |
| 24 | 9011374-04 | | 9011374-04 | | Carton, Elevation 22 Inch |
| 25 | 9011320-06 | | 9011320-06 | | Corner Post (Each), Elevation, (4 Required) |
| | 9031026-04P | | 9031026-04P | | Pop Rivets Not Shown (Package of 10) |

| | CIM0825 | | CIM1125 | | Description |
|----|-------------|--|-------------|--|---|
| 1 | 2031545-01S | | 2031545-01S | | Front Panel |
| 2 | 9031237-01P | | 9031237-01P | | Front Panel Screws |
| 3 | 3022007-05 | | 3022007-05 | | Left Side Side Panel |
| 4 | 2101496-01S | | 2101496-01S | | Top Panel-Air Cooled |
| 5 | 3022012-01 | | 3022012-01 | | Top Panel-Remote and Water Cooled |
| 6 | 9031046-01P | | 9031046-01P | | Rear Cover Screws |
| 7 | 3013634-04 | | 3013634-04 | | Rear Cover |
| 8 | 3022007-06 | | 3022007-06 | | Right Side Panel-Remote and Water Cooled |
| 9 | 3022007-04 | | 3022007-04 | | Right Side Panel-Air Cooled |
| 10 | 3013674-01 | | 3013674-01 | | Junction Box Cover |
| 11 | 9031046-01P | | 9031046-01P | | Junction Box Screw |
| 12 | 3013691-01 | | 3013691-01 | | Top Right Frame Work |
| 13 | 2021810-01 | | 2021810-01 | | Left Side Frame Top |
| 14 | 3013637-01 | | 3013637-01 | | Brace 22 Inch |
| 15 | 3013636-01 | | 3013636-01 | | Rear Brace |
| 16 | 9051725-01 | | 9051725-01 | | Base |
| 17 | 2021800-01 | | 2021800-01 | | Front Left Brace |
| 18 | 2021800-02 | | 2021800-02 | | Front Right Brace |
| 19 | 2021808-01 | | 2021808-01 | | Right Rear Corner |
| 20 | 2021803-01 | | 2021803-01 | | Left Rear Corner Post |
| 21 | 9011369-03 | | 9011369-03 | | Elevation Skid 22 Inch |
| 22 | 9011378-02 | | 9011378-02 | | Carton Liner 32 Inch |
| 23 | 9051765-01 | | 9051765-01 | | Shipping Bracket 2 Req. (Field Installed) |
| 24 | 9011374-04 | | 9011374-04 | | Carton, Elevation 22 Inch |
| 25 | 9011320-06 | | 9011320-06 | | Corner Post (Each), Elevation, (4 Required) |
| | 9031026-04P | | 9031026-04P | | Pop Rivets Not Shown (Package of 10) |

Note: When ordering an evaporator from Serial Number 1710 to and including Serial Number 1802, the Lower Curtain Assembly PN 9051736-01 must be ordered due to the evaporator plastic configuration.



The Model Number of the machine has a designator for the Cube Size

Example: **CIM0826FA** **F = Full Cube**

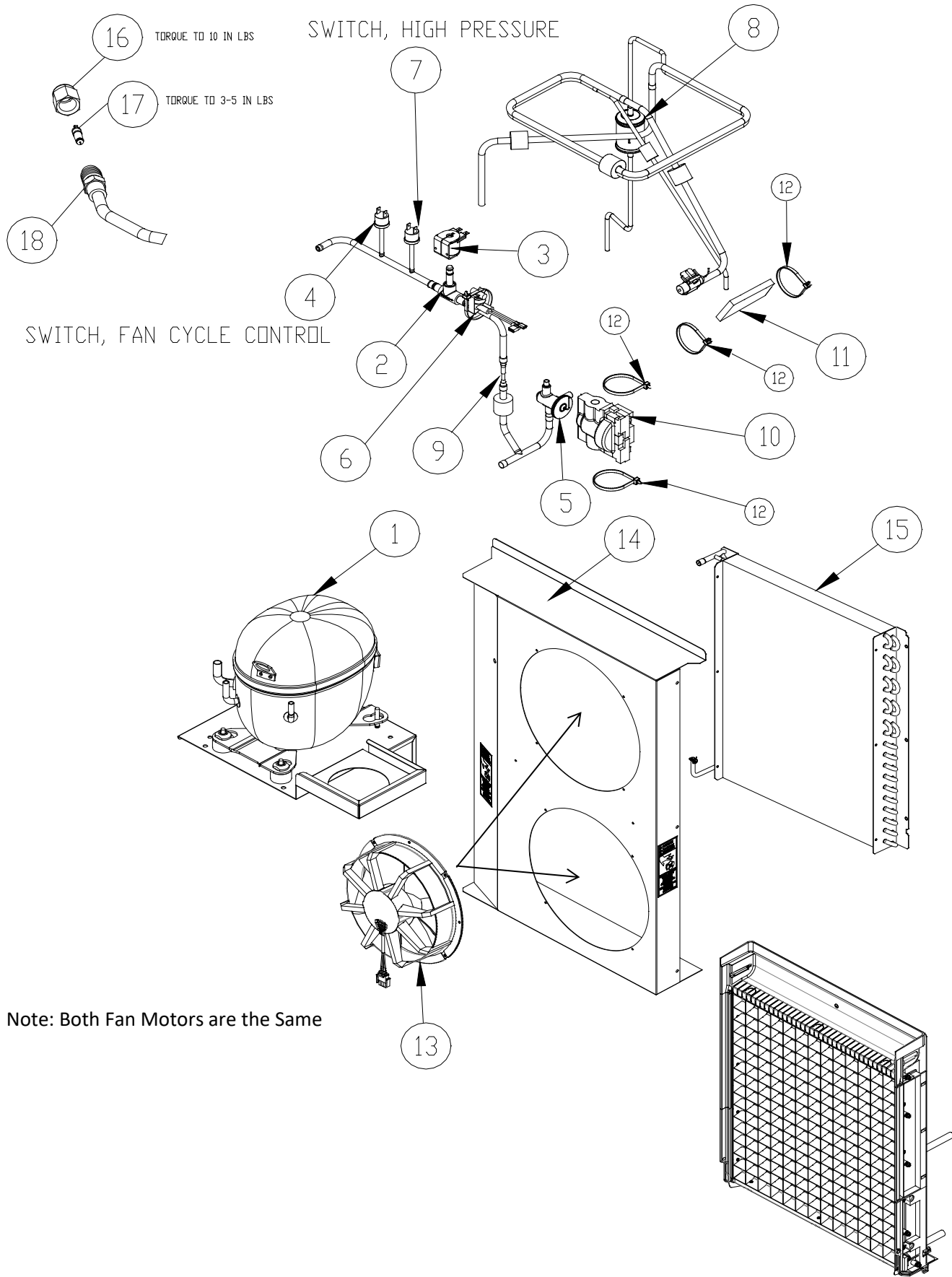
CIM0826HA **H = Half Cube**

| Item No. | Model Number | | | Description |
|----------|--------------|--|--------------|--|
| | CIM0826 | | CIM1126 | |
| 1 | 9051736-01 | | 9051736-01 | Lower Curtain Assembly |
| 2 | 9051760-01 | | 9051760-01 | Evaporator Cover |
| 3 | 9021010-05 | | 9021010-05 | Hose Clamp, Plastic |
| 4 | 9051766-01 | | 9051766-01 | Water Distribution Tube Assembly |
| 5 | 9051749-05 | | 9051749-05 | Water Tube, Side |
| 5A | 9051780-01 | | 9051780-01 | Water Tube Upper (Restricted) |
| 6 | 9091177-02 | | 9091177-02 | Coupler, Straight, 5/8 I.D. Tubing |
| 7 | 9051748-01 | | 9051748-01 | Water Tube, Sump |
| 8 | 9051737-01 | | 9051737-01 | Sump/Water Trough |
| 9 | 2062336-03S | | 2062336-03S | Water Pump |
| 10 | 9041105-05 | | 9041105-05 | Purge Valve |
| 11 | 9051738-01 | | 9051738-01 | Top Cover |
| 12 | 9041108-02 | | 9041108-02 | Water Inlet Valve |
| 13 | 9091140-01 | | 9091140-01 | Drain Fitting |
| 14 | 9021010-04 | | 9021010-04 | Hose Clamp, Plastic |
| 15 | 1051224-01 | | 1051224-01 | Float Switch Assembly (Includes Instructions) |
| 16 | 9051781-30 | | 9051781-30 | Purge Valve Tubing to Drain |
| 17 | 9051541-01 | | 9051541-01 | Purge Valve Tube to Inlet Outlet Bracket |
| 18 | 9051739-01 | | 9051739-01 | Inlet Outlet Bracket |
| 19 | 1051223-05 | | 1051223-05 | Evaporator-FULL Cube = 7/8 x 7/8 x 7/8 |
| 19 | 1051223-06 | | 1051223-06 | Evaporator-HALF Cube = 3/8 x 7/8 x 7/8 |
| 20 | 3051270-36 | | 3051270-36 | Water Inlet Valve to Inlet Outlet Bracket Tube |
| 21 | | | | |
| | 208-230/60/1 | | 208-230/60/1 | ← Machine Voltage |

The Model Number of the machine has a designator for the Cube Size

Example: CIM0826EA F = Full Cube Cube Size = 7/8 x 7/8 x 7/8
 CIM0826HA H = Half Cube Cube Size = 3/8 x 7/8 x 7/8

| Item No. | Model Number 220-240/50/1 | | | Description |
|----------|---------------------------|--|-------------|--|
| | CIM0825 | | CIM1125 | |
| 1 | 9051736-01 | | 9051736-01 | Lower Curtain Assembly |
| 2 | 9051760-01 | | 9051760-01 | Evaporator Cover |
| 3 | 9021010-05 | | 9021010-05 | Hose Clamp, Plastic |
| 4 | 9051766-01 | | 9051766-01 | Water Distribution Tube Assembly |
| 5 | 9051749-05 | | 9051749-05 | Water Tube, Side |
| 5A | 9051749-03 | | 9051749-03 | Water Tube Upper |
| 6 | 9091177-02 | | 9091177-02 | Coupler, Straight, 5/8 I.D. Tubing |
| 7 | 9051748-01 | | 9051748-01 | Water Tube, Sump |
| 8 | 9051737-01 | | 9051737-01 | Sump/Water Trough |
| 9 | 2062336-03S | | 2062336-03S | Water Pump |
| 10 | 9041105-05 | | 9041105-05 | Purge Valve |
| 11 | 9051738-01 | | 9051738-01 | Top Cover |
| 12 | 9041108-02 | | 9041108-02 | Water Inlet Valve |
| 13 | 9091140-01 | | 9091140-01 | Drain Fitting |
| 14 | 9021010-04 | | 9021010-04 | Hose Clamp, Plastic |
| 15 | 1051224-01 | | 1051224-01 | Float Switch Assembly (Includes Instructions) |
| 16 | 9051781-30 | | 9051781-30 | Purge Valve Tubing to Drain |
| 17 | 9051541-01 | | 9051541-01 | Purge Valve Tube to Inlet Outlet Bracket |
| 18 | 9051739-01 | | 9051739-01 | Inlet Outlet Bracket |
| 19 | 1051223-05 | | 1051223-05 | Evaporator-FULL Cube = 7/8 x 7/8 x 7/8 |
| 19 | 1051223-06 | | 1051223-06 | Evaporator-HALF Cube = 3/8 x 7/8 x 7/8 |
| 20 | 3051270-36 | | 3051270-36 | Water Inlet Valve to Inlet Outlet Bracket Tube |
| 21 | | | | |
| | | | | ← Machine Voltage |

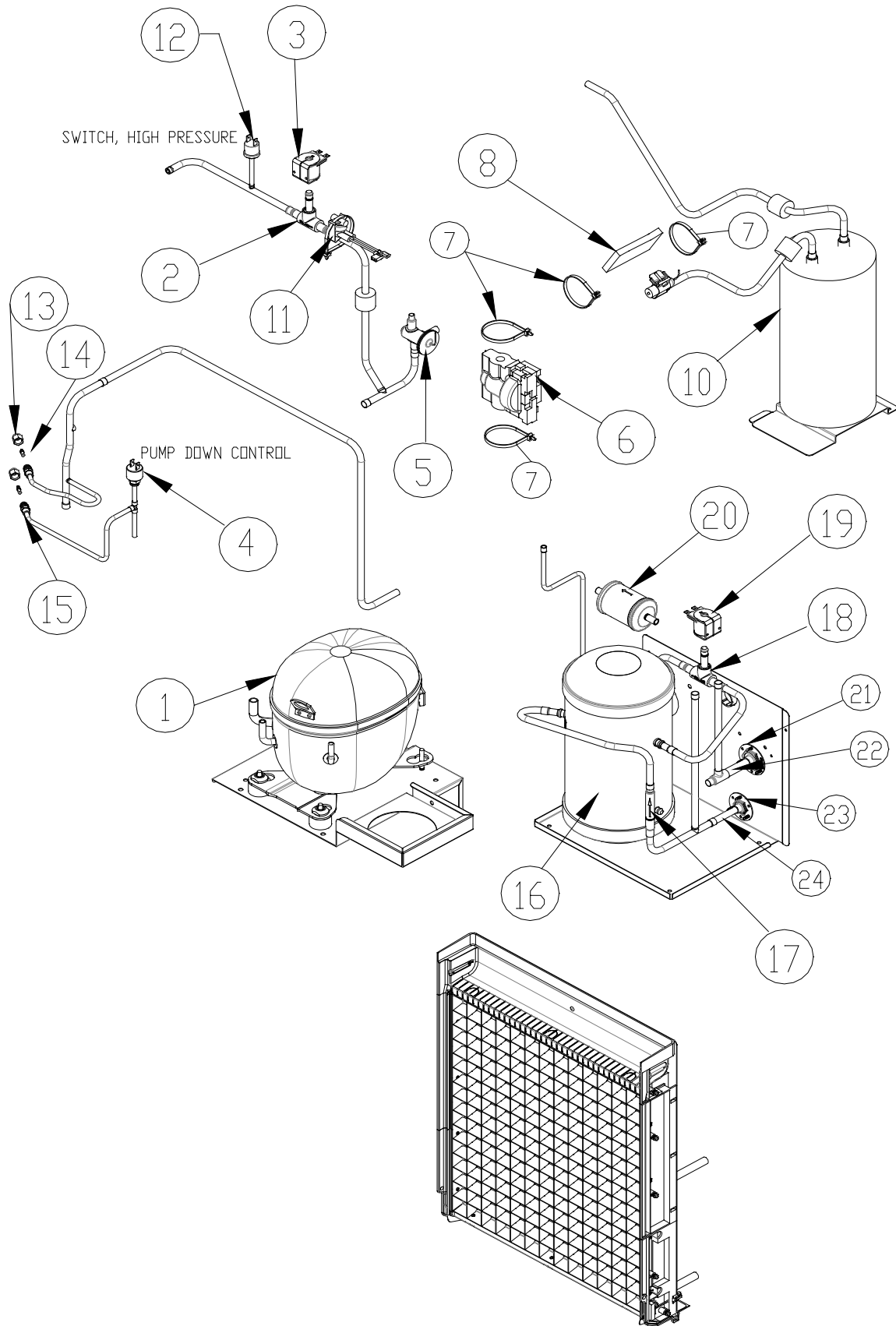


Note: Both Fan Motors are the Same

REFERENCE PAGE 4 AND 5 FOR EVAPORATOR

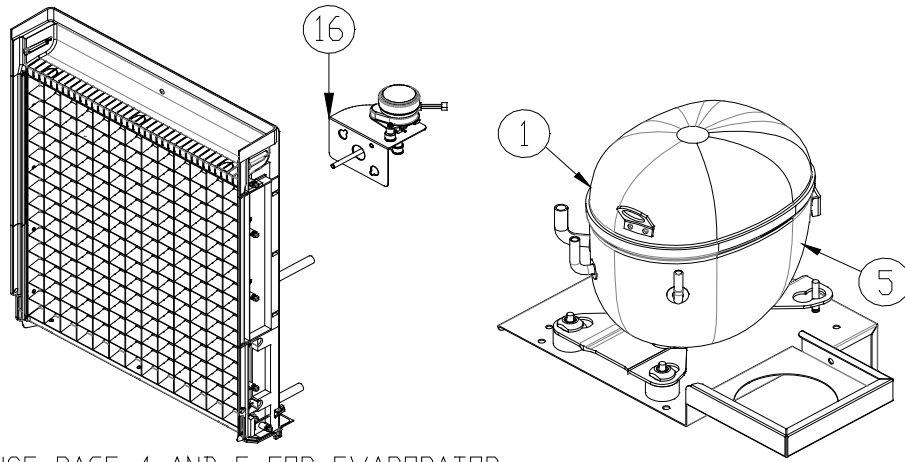
| Item No. | Model Number | | | | Description |
|----------|--------------|--|--|--------------|--|
| | CIM0826A | | | CIM1126A | |
| 1 | 9181177-11 | | | 9181180-11 | Compressor Kit |
| 2 | 9151192-02 | | | 9151192-02 | Hot Gas Valve Body |
| 3 | 9151193-02 | | | 9151193-02 | Hot Gas Valve Coil (240 V) |
| 4 | 9041106-01 | | | 9041106-01 | Switch, Fan Cycle |
| 5 | 1051231-02 | | | 1051231-02 | TXV |
| 6 | 9041098-02 | | | 9041098-02 | High Temp Switch |
| 7 | 9041111-01 | | | 9041111-01 | Switch, High Pressure |
| 8 | 9151163-03 | | | 9151163-03 | Drier (Included in Compressor Kit) |
| 9 | Not Used | | | Not Used | Restrictor |
| 10 | 9131544-01 | | | 9131544-01 | Insulation, TXV |
| 11 | 9131143-07 | | | 9131143-07 | Insulation, Bulb |
| 12 | 9021021-01 | | | 9021021-01 | Cable Tie-For TXV and Bulb Insulation |
| 13 | 9161135-02 | | | 9161135-02 | Fan Motor Assembly (Both Motors the Same) |
| 14 | 3013697-02 | | | 3013697-02 | Fan Shroud |
| 15 | 9141153-01 | | | 9141153-01 | Condenser |
| 16 | 9091086-03 | | | 9091086-03 | Service Valve Cap |
| 17 | 9091086-02 | | | 9091086-02 | Service Valve Core |
| 18 | 9091086-01 | | | 9091086-01 | Service Valve Stem |
| | 208-230/60/1 | | | 208-230/60/1 | ← Machine Voltage |
| | CIM0826A | | | CIM1126A | Starting Components (Included in Comp Kit) |
| | 9181177-11 | | | 9181180-11 | Compressor Kit |
| | 9181003-44 | | | 9181003-44 | Start Capacitor |
| | 9181009-16 | | | 9181009-16 | Run Capacitor |
| | 9181010-37 | | | 9181010-33 | Compressor Relay |
| | Internal | | | Internal | Overload |

| Item No. | Model Number 220-240/50/1 | | | | Description |
|----------|---------------------------|--|--|------------|--|
| | CIM0825A | | | CIM1125A | |
| 1 | 9181176-11 | | | 9181182-11 | Compressor Kit |
| 2 | 9151192-02 | | | 9151192-02 | Hot Gas Valve Body |
| 3 | 9151193-02 | | | 9151193-02 | Hot Gas Valve Coil (240 V) |
| 4 | 9041106-01 | | | 9041106-01 | Switch, Fan Cycle |
| 5 | 1051231-02 | | | 1051231-02 | TXV |
| 6 | 9041098-02 | | | 9041098-02 | High Temp Switch |
| 7 | 9041111-01 | | | 9041111-01 | Switch, High Pressure |
| 8 | 9151163-03 | | | 9151163-03 | Drier (Included in Compressor Kit) |
| 9 | Not Used | | | Not Used | Restrictor |
| 10 | 9131544-01 | | | 9131544-01 | Insulation, TXV |
| 11 | 9131143-07 | | | 9131143-07 | Insulation, Bulb |
| 12 | 9021021-01 | | | 9021021-01 | Cable Tie-For TXV and Bulb Insulation |
| 13 | 9161135-02 | | | 9161135-02 | Fan Motor Assembly (Both Motors the Same) |
| 14 | 3013697-02 | | | 3013697-02 | Fan Shroud |
| 15 | 9141153-01 | | | 9141153-01 | Condenser |
| 16 | 9091086-03 | | | 9091086-03 | Service Valve Cap |
| 17 | 9091086-02 | | | 9091086-02 | Service Valve Core |
| 18 | 9091086-01 | | | 9091086-01 | Service Valve Stem |
| | CIM0825A | | | CIM1125A | ← Machine Voltage |
| | 9181176-11 | | | 9181182-11 | Starting Components (Included in Comp Kit) |
| | 9181003-53 | | | 9181003-56 | Compressor Kit |
| | 9181009-16 | | | 9181009-27 | Start Capacitor |
| | 9181010-36 | | | 9181010-35 | Run Capacitor |
| | Internal | | | Internal | Compressor Relay |
| | | | | | Overload |

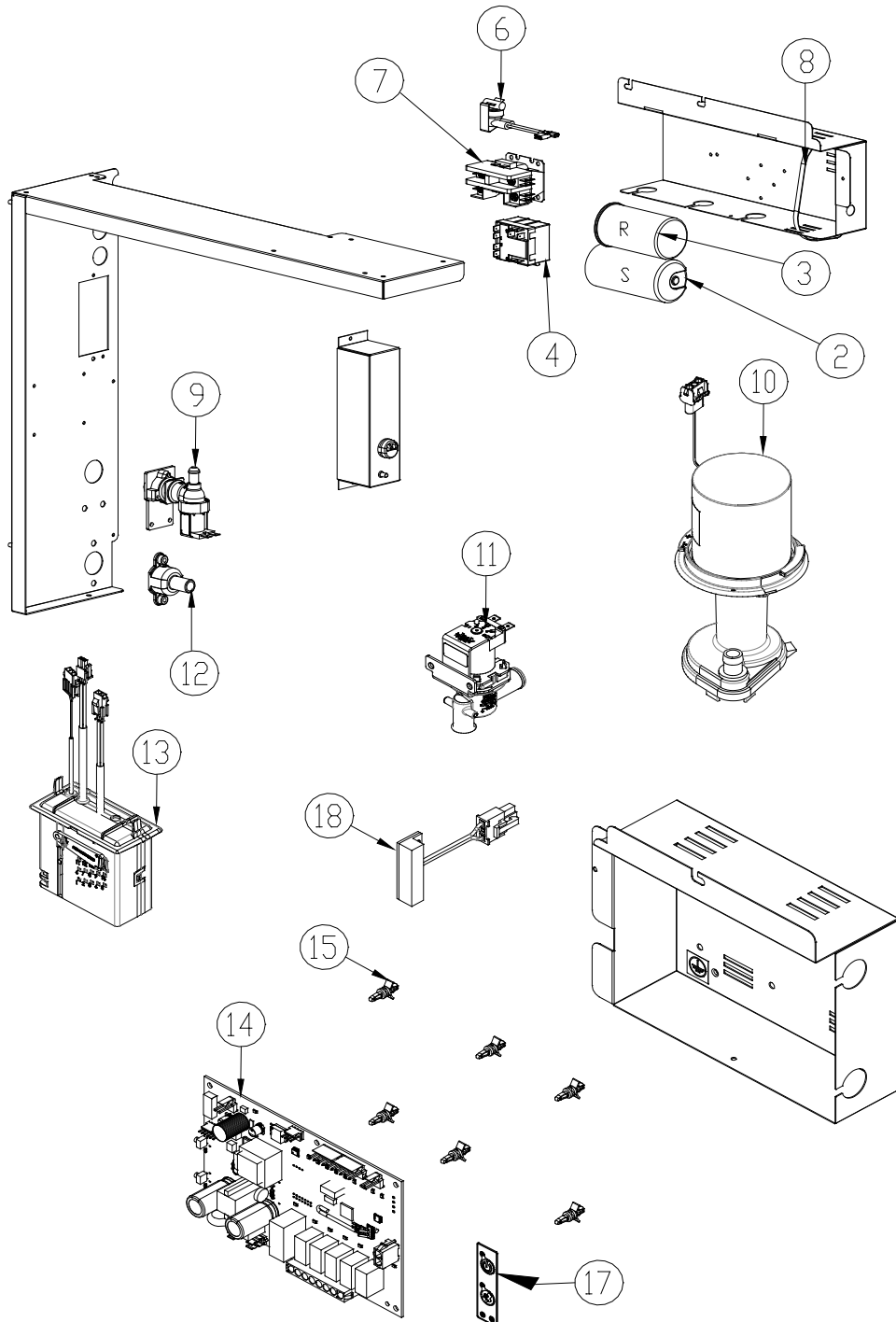


REFERENCE PAGE 4 AND 5 FOR EVAPORATOR

| Item No. | Model Number | | | | Description |
|----------|--------------|--------------|--------------|--------------|--|
| | CIM0826R | CIM0825R | CIM1126R | CIM1125R | |
| 1 | 9181177-01 | 9181176-01 | 9181180-11 | 9181182-11 | Compressor Kit |
| 2 | 9151192-01 | 9151192-01 | 9151192-02 | 9151192-02 | Hot Gas Valve Body |
| 3 | 9151193-02 | 9151193-02 | 9151193-02 | 9151193-02 | Hot Gas Valve Coil |
| 4 | 9041092-02 | 9041092-02 | 9041092-02 | 9041092-02 | Pump Down Control |
| 5 | 1051231-02 | 1051231-02 | 1051231-02 | 1051231-02 | TXV |
| 6 | 9131544-01 | 9131544-01 | 9131544-01 | 9131544-01 | Insulation, TXV |
| 7 | 9021025-01 | 9021025-01 | 9021025-01 | 9021025-01 | Cable Tie-For TXV and Bulb Insulation |
| 8 | 9131143-07 | 9131143-07 | 9131143-07 | 9131143-07 | Insulation, TXV Bulb |
| 9 | NA | NA | NA | NA | Pressure Control Valve |
| 10 | NA | NA | NA | NA | Accumulator |
| 11 | 9041098-02 | 9041098-02 | 9041098-02 | 9041098-02 | High Temp Switch |
| 12 | 9041111-01 | 9041111-01 | 9041111-01 | 9041111-01 | Switch, High Pressure |
| 13 | 9091086-03 | 9091086-03 | 9091086-03 | 9091086-03 | Service Valve Cap |
| 14 | 9091086-02 | 9091086-02 | 9091086-02 | 9091086-02 | Service Valve Core |
| 15 | 9091086-01 | 9091086-01 | 9091086-01 | 9091086-01 | Service Valve Stem |
| 16 | 9151060-01 | 9151060-01 | 9151060-01 | 9151060-01 | Receiver |
| 17 | 9151139-01 | 9151139-01 | 9151139-01 | 9151139-01 | Check Valve |
| 18 | 9151192-02 | 9151192-02 | 9151192-02 | 9151192-02 | Liquid Line Solenoid |
| 19 | 9151193-02 | 9151193-02 | 9151193-02 | 9151193-02 | Liquid Line Coil |
| 20 | 9151163-03 | 9151163-03 | 9151163-03 | 9151163-03 | Drier (Included in Compressor Kit) |
| 21 | 9091001-09 | 9091001-09 | 9091001-09 | 9091001-09 | 1/2 Inch Coupling Flange (Large) |
| 22 | 9091001-12 | 9091001-12 | 9091001-12 | 9091001-12 | 1/2 Inch Coupling (Large) |
| 23 | 9091001-03 | 9091001-03 | 9091001-03 | 9091001-03 | 3/8 Inch Coupling Flange (Small) |
| 24 | 9091001-11 | 9091001-11 | 9091001-11 | 9091001-11 | 3/8 Inch Coupling (Small) |
| | CIM0826R | CIM0825R | CIM1126R | CIM1125R | Starting Components (Included in Comp Kit) |
| | 9181177-11 | 9181176-11 | 9181180-11 | 9181182-11 | Compressor Kit |
| | 9181003-44 | 9181003-53 | 9181003-44 | 9181003-56 | Start Capacitor |
| | 9181009-16 | 9181009-16 | 9181009-16 | 9181009-27 | Run Capacitor |
| | 9181010-37 | 9181010-36 | 9181010-33 | 9181010-35 | Potential Relay |
| | Internal | Internal | Internal | Internal | Overload |
| | 208-230/60/1 | 220-240/50/1 | 208-230/60/1 | 220-240/50/1 | ← Machine Voltage |



REFERENCE PAGE 4 AND 5 FOR EVAPORATOR



| Item No. | Model Number | | | | Description |
|----------|--------------|--|--------------|--|---|
| | CIM0826 | | CIM1126 | | |
| 1 | 9181177-11 | | 9181180-11 | | Compressor |
| 2 | 9181003-44 | | 9181003-44 | | Start Capacitor |
| 3 | 9181009-16 | | 9181009-16 | | Run Capacitor |
| 4 | 9181010-37 | | 9181010-33 | | Potential Relay |
| 5 | Internal | | Internal | | Overload |
| 6 | 9041098-02 | | 9041098-02 | | Switch, High Temp |
| 7 | 9101002-06 | | 9101002-06 | | Contactora |
| 8 | 9021096-01 | | 9021096-01 | | Cable Tie, Metal |
| 9 | 9041108-02 | | 9041108-02 | | Valve, Water Inlet |
| 10 | 2062336-03S | | 2062336-03S | | Water Pump |
| 11 | 9041105-05 | | 9041105-05 | | Purge Valve |
| 12 | 9091140-01 | | 9091140-01 | | Purge Drain |
| 13 | 1051224-01 | | 1051224-01 | | Float Switch Assembly (Includes Instructions) |
| 14 | 9101368-02 | | 9101368-02 | | Board Dual Voltage |
| 15 | 9051698-01P | | 9051698-01P | | Plastic Standoff, Control Board (Pkg of 10) |
| 16 | 9161134-02 | | 9161134-02 | | Harvest Assist |
| 17 | 9101394-01 | | 9101394-01 | | Membrane Switch (Includes Cable) |
| 18 | 9101379-01 | | 9101379-01 | | Switch, Magnetic Reed (Bin Control On Evap) |
| | 208-230/60/1 | | 208-230/60/1 | | ← Machine Voltage |

| Item No. | Model Number 220-240/50/1 | | | | ← Machine Voltage |
|----------|---------------------------|--|-------------|--|---|
| | CIM0825 | | CIM1125 | | |
| 1 | 9181176-11 | | 9181182-11 | | Compressor Kit |
| 2 | 9181003-53 | | 9181003-56 | | Start Capacitor |
| 3 | 9181009-16 | | 9181009-27 | | Run Capacitor |
| 4 | 9181010-36 | | 9181010-35 | | Compressor Relay |
| 5 | Internal | | Internal | | Overload |
| 6 | 9041098-02 | | 9041098-02 | | Switch, High Temp |
| 7 | 9101002-06 | | 9101002-06 | | Contactora |
| 8 | 9021096-01 | | 9021096-01 | | Cable Tie, Metal |
| 9 | 9041108-02 | | 9041108-02 | | Valve, Water Inlet |
| 10 | 2062336-03S | | 2062336-03S | | Water Pump |
| 11 | 9041105-05 | | 9041105-05 | | Purge Valve |
| 12 | 9091140-01 | | 9091140-01 | | Purge Drain |
| 13 | 1051224-01 | | 1051224-01 | | Float Switch Assembly (Includes Instructions) |
| 14 | 9101368-02 | | 9101368-02 | | Board Dual Voltage |
| 15 | 9051698-01P | | 9051698-01P | | Plastic Standoff, Control Board (Pkg of 10) |
| 16 | 9161134-02 | | 9161134-02 | | Harvest Assist |
| 17 | 9101394-01 | | 9101394-01 | | Membrane Switch (Includes Cable) |
| 18 | 9101379-01 | | 9101379-01 | | Switch, Magnetic Reed (Bin Control On Evap) |