

Project _____
 Item _____
 Quantity _____
 CSI Section 11400
 Approval _____
 Date _____

RackStar® 44 with optional Energy Recovery

Models

RackStar 44 with optional Energy Recovery



Standard Features

- Energy Recovery
- Adjustable Rinse System
- 27kW electric booster heater
- Rainbow Rinse™ with arched rinse arm design
- 19-3/4" (502 mm) clearance
- WISR® Cleaning System
- Double-wall insulated doors retain heat, keeping wash water hot & generating less heat in the dishroom
- Self-cleaning wash arms
- Fully automatic, including auto-fill
- Adjustable vent cowl collars
- Exclusive EnergyGuard™ controls
- Self-draining stainless steel wash pump
- Digital LED control panel
- Strike plate table limit switch
- Large front access for ease of maintenance
- Stainless steel strainer pans
- Splash shields
- Stainless steel frame and legs
- Exhaust vent fan control
- Built-in pressure regulator
- 15kW wash tank heater
- Front dress panel
- Adjustable bullet feet

Mandatory Specs

Specify Voltage _____

Specify Direction of Operation:

- Left to Right
 Right to Left

Options

- Single Point Connection
 23" (584 mm) Unhooded Side Loader
 30" (762 mm) Unhooded Side Loader
 Flanged Feet
 Prison Package

Accessories

- 36-Compartment Rack
 4-1/8" tall (104 mm)
 5 - 5/8" tall (143 mm)
 7" tall (178 mm)
 Combination Rack
 Peg Rack
 Sheet Pan Rack
 Drain Water Tempering Kit*
 Scaltrol
 Water Hammer Arrestor

**Requires separate electrical connection*

Specifications

Uses 0.35 gallons of water (1.32 liters) per rack in Econo Rinse mode

Uses 0.52 gallons of water (1.97 liters) per rack in Turbo Rinse mode

Cleans 223 racks per hour

Durable stainless steel construction



Intertek



Intertek



RackStar® 44 with optional Energy Recovery

Left to Right

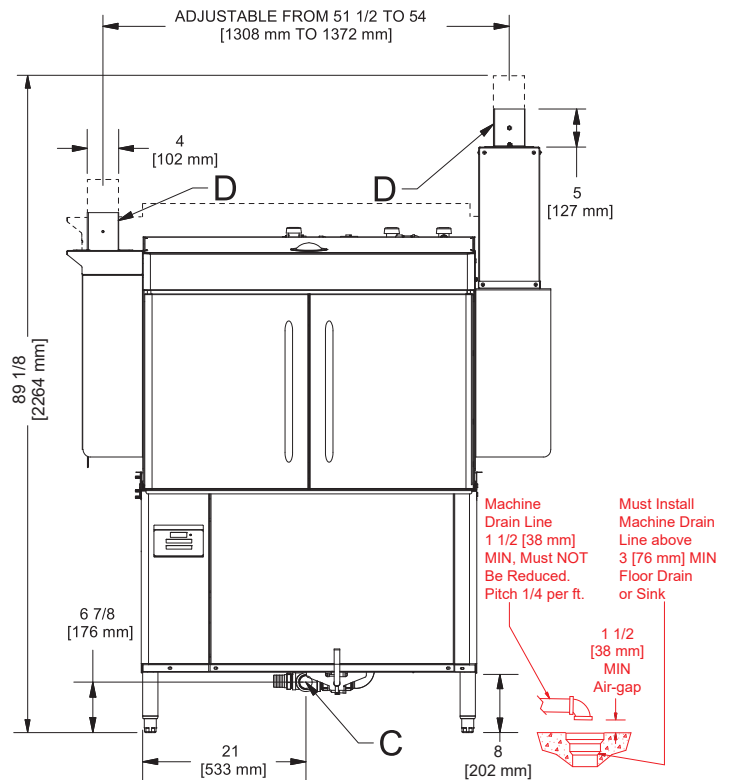
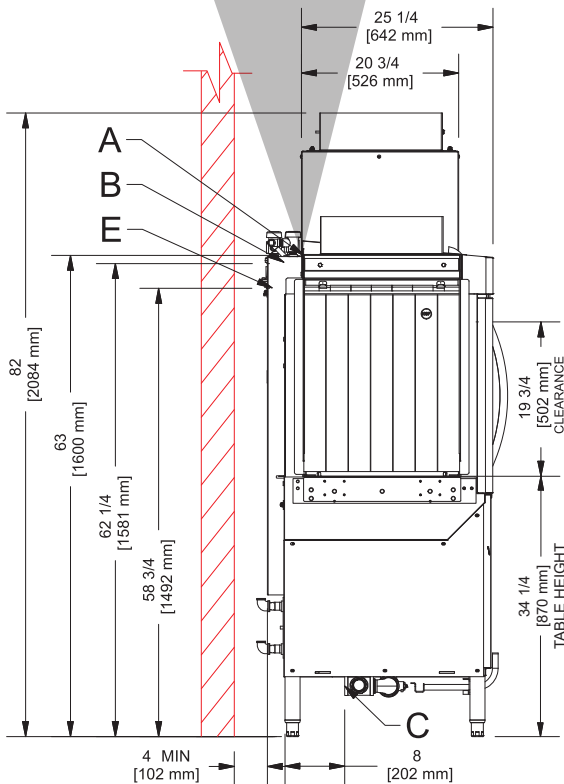
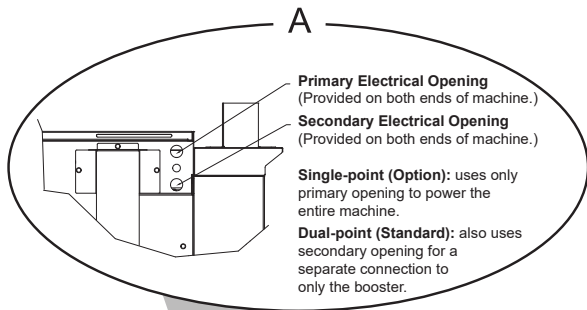
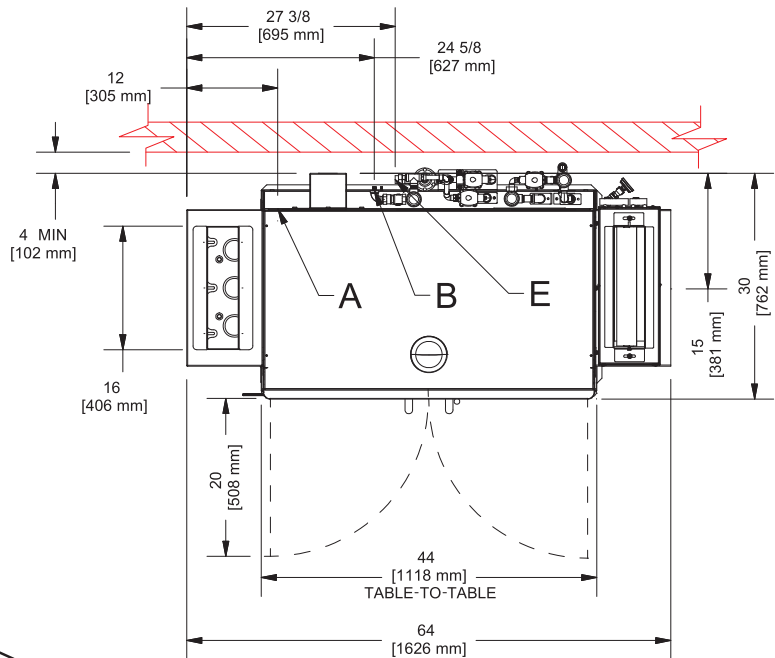
LEGEND

- A - Electrical Connection
- B - Water Inlet
(1/2" NPT, 110 °F MIN (27 kW Booster))
- C - Drain Connection
(1 1/2" NPT)
- D - Vent Connections
(Including Dampers)
- E - Energy Recovery Water Inlet
(1/2" NPT, 55 °F MIN)

- - Open Door
- - High Hood Option

All dimensions from the floor can be increased 1 3/4" using the machine's adjustable feet.

Items in red are not supplied with the machine.

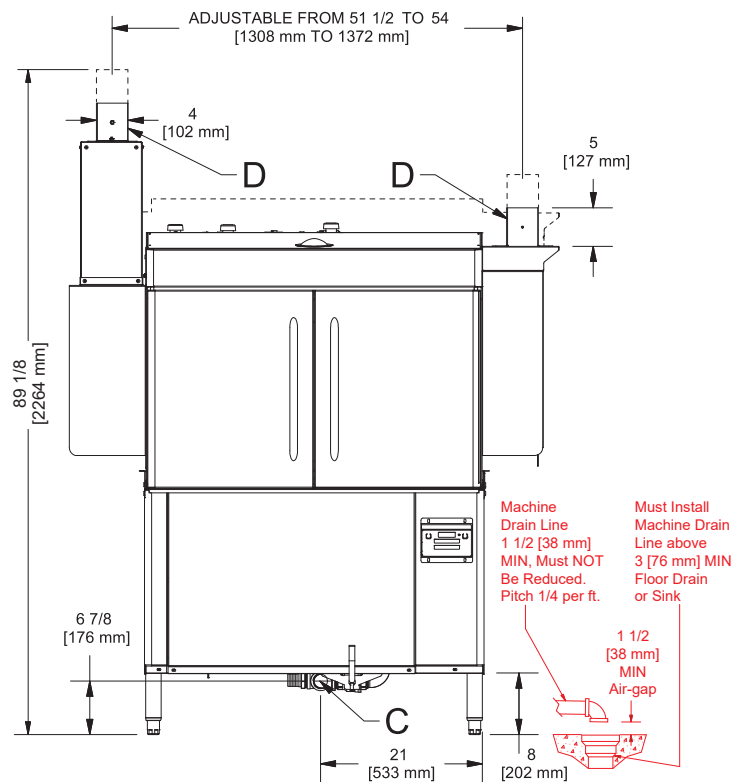
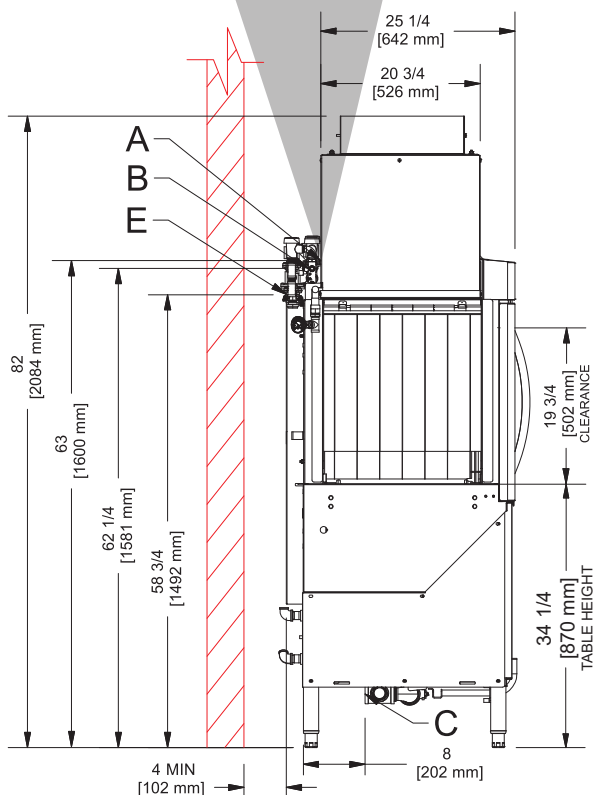
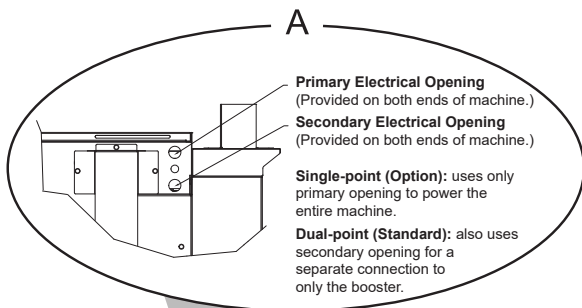
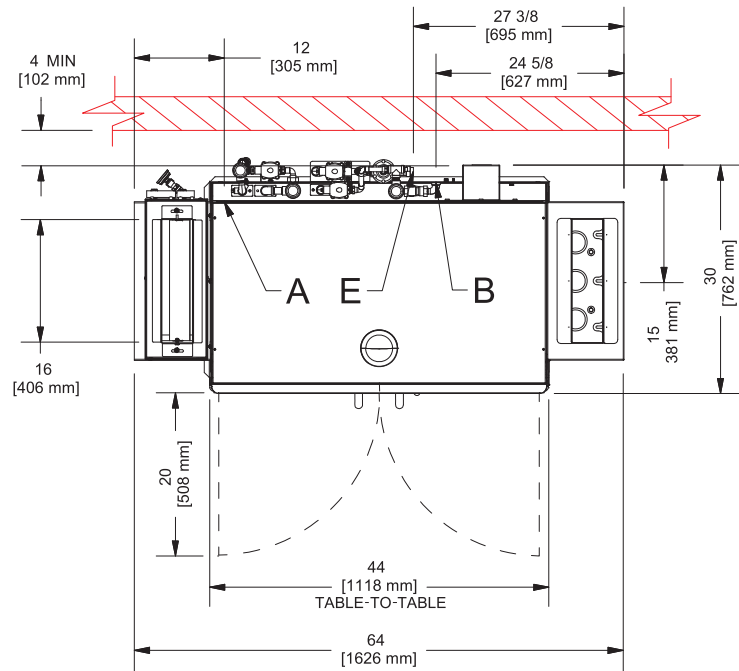


LEGEND

- A - Electrical Connection
- B - Water Inlet
(1/2" NPT, 110 °F MIN (27 kW Booster))
- C - Drain Connection
(1 1/2" NPT)
- D - Vent Connections
(Including Dampers)
- E - Energy Recovery Water Inlet
(1/2" NPT, 55 °F MIN)
- — — — — - Open Door
- - - - - - - - - - - High Hood Option

All dimensions from the floor can be increased 1 3/4" using the machine's adjustable feet.

Items in red are not supplied with the machine.



RECOMMENDED TABLE FABRICATION

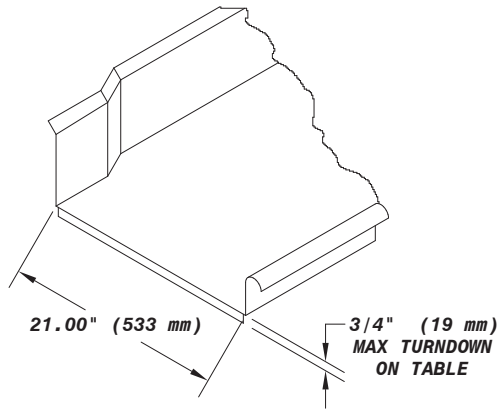
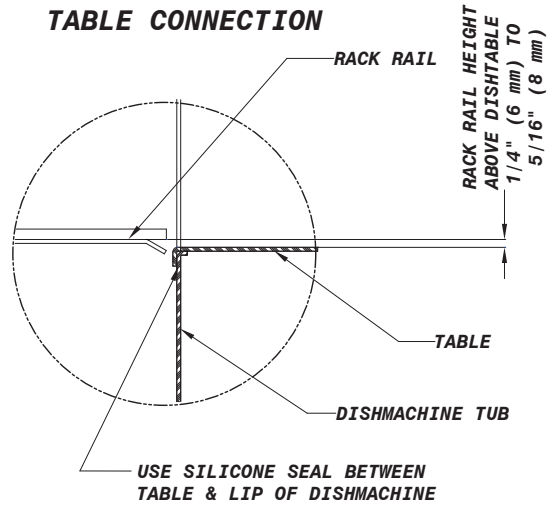


TABLE CONNECTION



| MODEL NO. | MACHINE DIMENSIONS | | | | DRAIN HEIGHT | SHIPPING INFORMATION | | | | | |
|----------------|--------------------|---------------------------|--------------|-----------------------|-----------------|----------------------|-------|----------------|---------------|---------------|---------------|
| | HEIGHT | LENGTH BETWEEN DISHTABLES | DEPTH | DEPTH WITH DOORS OPEN | | WEIGHT | CLASS | CUBE | HEIGHT | WIDTH | DEPTH |
| RackStar 44 ER | 82" (2084 mm) | 44" (1118 mm) | 30" (762 mm) | 50" (1270 mm) | 6-1/2" (165 mm) | 880 lbs (400 kg) | 150 | 131.94 cu. ft. | 75" (1905 mm) | 76" (1931 mm) | 40" (1016 mm) |

| OPERATING CAPACITY | |
|--------------------|-------|
| Racks per Hour | 223 |
| Dishes per Hour | 5,575 |
| Glasses per Hour | 8,028 |

| OPERATING TEMPERATURES | |
|------------------------|----------------|
| Wash (minimum) | 160° F (71° C) |
| Rinse (minimum) | 180° F (82° C) |

| ELECTRICAL REQUIREMENTS | | | |
|-------------------------|------------|--------------------------|--------------------------------|
| Power Supply | Total Load | Minimum Circuit Ampacity | Maximum Overcurrent Protection |

| SINGLE POINT CONNECTION | | | |
|-------------------------|---------|---------|-------|
| 208/60/3 | 126.8 A | 129.1 A | 140 A |
| 230/60/3 | 109.3 A | 111.4 A | 120 A |
| 460/60/3 | 54.8 A | 55.9 A | 60 A |
| 208/60/1 | 216.8 A | 220.2 A | 230 A |
| 230/60/1 | 185.8 A | 188.8 A | 200 A |

| DUAL POINT CONNECTION | | | |
|-------------------------|---------|---------|-------|
| 208/60/3 - Machine | 51.9 A | 54.2 A | 60 A |
| 208/60/3 - 27kW Booster | 74.9 A | 76.2 A | 80 A |
| 230/60/3 - Machine | 44.3 A | 46.4 A | 50 A |
| 230/60/3 - 27kW Booster | 65.0 A | 66.3 A | 70 A |
| 460/60/3 - Machine | 22.3 A | 23.4 A | 25 A |
| 460/60/3 - 27kW Booster | 32.5 A | 33.8 A | 35 A |
| 208/60/1 - Machine | 87.0 A | 90.4 A | 100 A |
| 208/60/1 - 27kW Booster | 129.8 A | 131.1 A | 135 A |
| 230/60/1 - Machine | 73.3 A | 76.3 A | 85 A |
| 230/60/1 - 27kW Booster | 112.5 A | 113.8 A | 115 A |

| WATER REQUIREMENTS | |
|--|-------------------|
| Hot water inlet temperature (minimum) | 110° F (43° C) |
| Cold water inlet temperature (minimum) | 55° F (43° C) |
| Gallons per Hour (Econo Rinse mode) | 78 gal (295 L) |
| Gallons per Hour (Turbo Rinse mode) | 116 gal (239.1 L) |
| Gallons per Rack (Econo Rinse mode) | 0.35 gal (1.3 L) |
| Gallons per Rack (Turbo Rinse mode) | 0.52 gal (1.97 L) |
| Waterline Size NPT | 1/2" |
| Drainline Size IPS (minimum) | 1-1/2" |
| Flow Pressure (PSI) | 15 |
| Flow Rate GPM (minimum) | 1.3 (4.9 LPM) |
| Wash Tank Capacity | 25 gal (95 L) |

| WASH PUMP | |
|--------------------|--------------------|
| Wash Pump Motor | 3 hp |
| Wash Pump Capacity | 270 GPM (1022 LPM) |

| CONVEYOR | |
|----------------------------------|---------------------|
| Conveyor Motor | 1/4 hp |
| Conveyor Speed (feet per minute) | 6.07 FPM (1.85 MPM) |

| VENTING REQUIREMENTS | |
|----------------------|---------|
| Input End | 175 CFM |
| Output End | 175 CFM |
| Total CFM | 350 CFM |

HOW TO SPECIFY: RackStar 44 with Energy Recovery

Jackson WWS, Inc.
 Shipping Address: 6209 North U.S. Highway 25E, Gray, KY 40734
 Mailing Address: P.O. Box 1060, Barbourville, KY 40906
 Telephone: 888-800-5672 • Fax: 606-523-1799
 Email: info@jacksonwws.com
 07610-004-41-36 [12/04/2020]

www.jacksonwws.com