



Job \_\_\_\_\_ Item No. \_\_\_\_\_

## Gas Countertop Griddle

- Snap-Action/Steel Plate 224T 236T 248T 260T 272T
- Snap-Action/Chrome Plate 224TC 236TC 248TC 260TC 272TC
- Solid State/Steel Plate 224S 236S 248S 260S 272S
- Solid State/Chrome Plate 224SC 236SC 248SC 260SC 272SC



### FEATURES

- One [1] inch (25 mm) thick griddle surface with internal sensors  $\frac{3}{16}$  inch (5 mm) from the surface for instant response and fast recovery.
- 27,000 BTU per twelve [12] inch section of griddle
- 5.5-inch (140 mm) rear and side splash guard and a 3.5-inch (89 mm) by one [1] inch (25 mm) grease trough for easy cleanup
- Standard electronic snap-action thermostats for precise control between 200°F (93°C) and 450°F (232°C)
- Optional solid state controls with surface control to +/-4°F (+/-2.2°C) of set point and operate between 175°F (79°C) and 450°F (232°C)
- Both types of thermostat allow independent control of each twelve [12] inch (305 mm) section of griddle

### DESCRIPTION

Lang gas griddles are designed to be reliable, efficient, and accurate. Each twelve [12] inch (305 mm) section has its own independent temperature control and the griddle surface is one [1] inch (25 mm) thick, providing even cooking of multiple different products at the same time.

### SPECIFICATIONS

Lang gas countertop griddle will be constructed in the U.S.A. with a corrosion-resistant stainless steel base. The griddle plate will be one [1] inch (25 mm) thick and come with either a chrome or polished steel surface. The burners will allow control of each twelve [12] inch (305 mm) section and will use electronic ignition. The temperature will be controlled by either Selectronic™ solid state system or Accu-Temp™ snap-action thermostats and will operate up to 450°F (232°C). There will be one temperature control for each twelve [12] inch (305 mm) section. The unit will have one [1] grease drawer on 224, 236, and 248 models, and two [2] grease drawers on 260 and 272 models. The units will have a 3/4-inch NPT male connection and can be ordered as natural gas or LP units. The unit will be supplied with four [4] inch (102 mm) legs that are adjustable up to 1 inch (25 mm).

### WARRANTY

These units come with a two (2) year warranty for parts and labor.

### OPTIONS & ACCESSORIES

- Chrome griddle plate
- Clamshell hood—up to one per twelve [12] inch (305mm) of griddle surface
- Custom grooved plate, 12 or 24 inch (305 or 610 mm) from either side
- Steel stand with legs or casters

### CERTIFICATIONS





# Gas Countertop Griddle

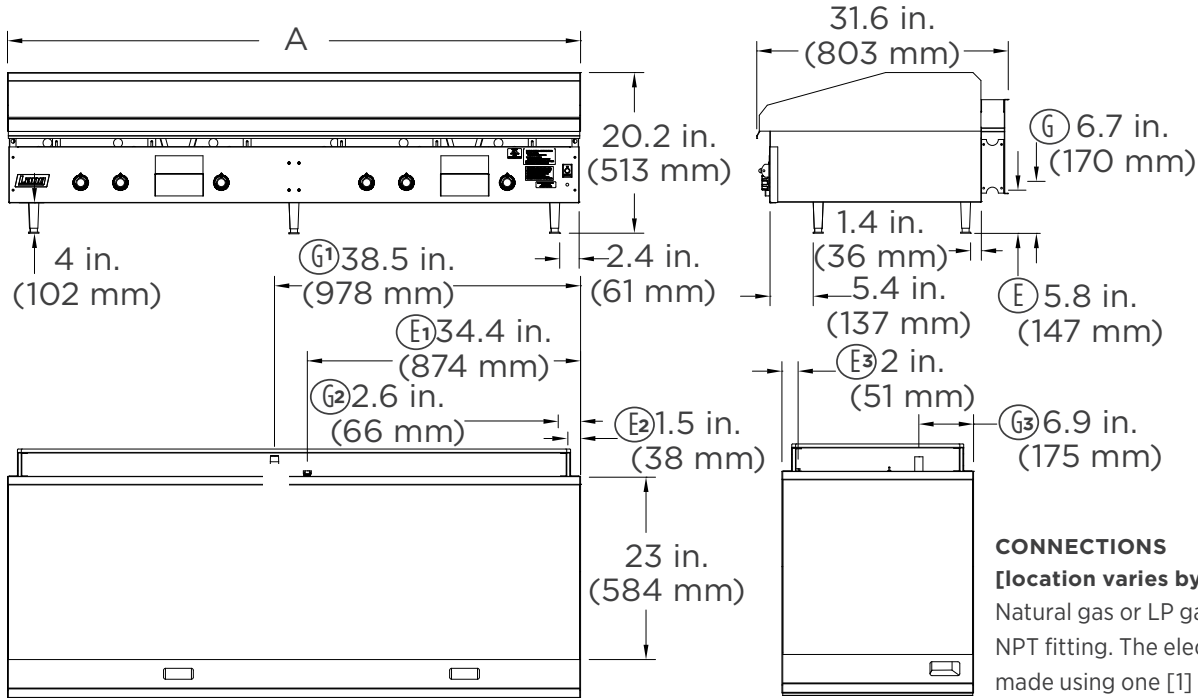
Snap-Action/Steel Plate □224T □236T □248T □260T □272T

Snap-Action/Chrome Plate □224TC □236TC □248TC □260TC □272TC

Solid State/Steel Plate □224S □236S □248S □260S □272S

Solid State/Chrome Plate □224SC □236SC □248SC □260SC □272SC

272T and 224T are the models shown.



### CONNECTIONS

[location varies by model]

Natural gas or LP gas via one [1] 3/4-inch NPT fitting. The electrical connections are made using one [1] pre-wired 5-15P plug.

Ⓔ<sub>1</sub> Ⓔ<sub>1</sub> 272 models

Ⓔ<sub>2</sub> Ⓔ<sub>2</sub> 260, 248, and 236 models

Ⓔ<sub>3</sub> Ⓔ<sub>3</sub> 224 models

### CLEARANCES

Please allow five [5] inches (127 mm) between the back and sides of the unit and any surface.

MODEL	HEIGHT	WIDTH [A]	DEPTH	BTU	VOLTS	AMPS	WATTS	APPROX. SHIP WEIGHT	APPROX. WEIGHT INSTALLED
224	20.2 in. (513 mm)	24.1 in. (612 mm)	31.6 in. (803 mm)	54,000	120	2	240	300 lb. (136 kg)	236 lb. (107 kg)
236	20.2 in. (513 mm)	36.1 in. (914 mm)	31.6 in. (803 mm)	81,000	120	2	240	409 lb. (186 kg)	335 lb. (152 kg)
248	20.2 in. (513 mm)	48.1 in. (1.22 m)	31.6 in. (803 mm)	108,000	120	2	240	520 lb. (236 kg)	440 lb. (200 kg)
260	20.2 in. (513 mm)	60.1 in. (1.53 m)	31.6 in. (803 mm)	135,000	120	2	240	656 lb. (298 kg)	556 lb. (252 kg)
272	20.2 in. (513 mm)	72.1 in. (1.83 m)	31.6 in. (803 mm)	162,000	120	2	240	787 lb. (357 kg)	667 lb. (303 kg)

Due to periodic changes in designs, methods, procedures, policies and regulations, the specifications contained in this sheet are subject to change without notice. While Star Manufacturing exercises good faith efforts to provide information that is accurate, we are not responsible for errors or omissions in information provided or conclusions reached as a result of using the specifications. By using the information provided, the user assumes all risks in connection with such use.



**LANG MANUFACTURING** • [www.langworld.com](http://www.langworld.com)  
265 Hobson Street • Smithville, Tennessee 37166  
Telephone 314 678 6315 • Fax 314 781 3636

Printed in the U.S.A. • 2M-Z21303 • Rev B • 07.2021  
Please refer to the owner's manual for information regarding installation or use.