

**Perlick®** 24" SINGLE DOOR C-SERIES  
REFRIGERATOR/CHILLER/WINE RESERVE/BEVERAGE DISPENSER



eco friendly  
R600a  
Refrigerant

JOB
AREA
ITEM NO.
MODEL NO.



**Refrigerator**  
(HC24RS4)



**Chiller**  
(HC24FS4)



**Wine Reserve**  
(HC24WS4)



**Beverage Dispenser**  
(HC24RS4-T1)  
*\*Shown with 1 faucet  
draft arm tapping option*

<b>MODEL NO.</b>
HC24FS4
HC24RS4
HC24WS4

**Perlick Features**

- Full Extension, smooth glide shelving gives easy access to product and faster, more ergonomic product loading
- Open shelf design allows cold air to surround product reducing temperature variation in the cabinet and extending product life
- 525 BTU/hr fast pull down of product to serving temperature
- Ultra-quiet & energy efficient smart compressor. Compressor ramps up as additional cooling is needed maximizing energy savings while decreasing pull down time
- All stainless steel interior ensures consistent cabinet temperature & hygienic easy to clean environment that will not absorb odors over time
- NSF Rated digital controller allows for precision temperature setting & features and audible door alarm, alerting the operator if an intrusion will not allow the door to close
- Precision temperature control held to within 1 degree of set point
- All stainless steel wine shelves ensures zero off gassing or odor absorption
  - Accessory wood front available to match custom overlays
- 2" Foamed-in-place-eco-friendly insulation provides energy savings with zero ozone depletion
- Selectable white or blue LEDs provide crisp line of sight to product
- Solid and uv-coated glass door options available in both stainless steel or black vinyl finish. Black vinyl door panels can easily be removed to allow a custom wood overlay to be applied
  - Custom door panels are customer supplied see perlick.com for door overlay templates
- Multiple handle, legs, and caster options available
- Field reversible door allows for easy replacement or re-purposing
- Door lock optional
- NSF 7 rated for canned and bottle beverage storage
- No plumbing required
- 1 Year Warranty, 5 Year Compressor Warranty



## 24" SINGLE DOOR C-SERIES

### REFRIGERATOR/CHILLER/WINE RESERVE/BEVERAGE DISPENSER




## Size and Specifications

MODEL NO.	HC24RS4	HC24FS4	HC24WS4	
CABINET DIMENSIONS	Length Ins. (mm)	23-7/8" (606)	23-7/8" (606)	23-7/8" (606)
	Depth Ins. (mm)	24" (610)	24" (610)	24" (610)
	Height Ins. (mm)	34" (864)	34" (864)	34" (864)
SHIP WEIGHT LBS. (KG)	185 (83)	195 (88)	205 (92)	
CAPACITY CU. FT. (L.) [PRODUCT*]	5.3 (150) [5 cases]	5.3 (150) [86 glasses]	5.3 (150) [40 wine bottles]	
SHELVING	2 black vinyl-coated full-extension shelf (adjustable)	2 black vinyl-coated full-extension shelf (adjustable)	5 black vinyl-coated full-extension wine shelves that hold 8 wine bottles each (750 ml.) (adjustable) Refrigerator & beverage shelving available	
TEMPERATURE SETTINGS F°(C)	34° (1.1) - 42° (5.6) <b>Factory Set Point 36° (2.2°)</b>	-10°(-23.3) - 10°(-12.2) <b>Factory Set Point 0° (-17.8°)</b>	40°(4.4°) - 68°(20) <b>Factory Set Point 55° (12.8)</b>	
TAPPING	Centered over door only. Tapping option removes shelving.	Not available	Not available	
CABINET CONSTRUCTION (INT.)	Interior Stainless Steel			
CABINET CONSTRUCTION (EXT.)	Exterior Sides, Exterior Top and Grill Stainless Steel Exterior Back and Exterior Bottom Galvanized Door Exterior Customer Choice (see below under 'Customer Options')			
CABINET INSULATION	Polyurethane-Ecomate. <b>Wall Thickness-2" Door, Drawer Thickness-2"</b> (solid stainless steel only)			
DOORS, HINGING & HARDWARE	<b>Number of Doors 1 Opening Style</b> Hinged (Left or Right) <b>Door Style</b> Solid or Glass <b>Door Swing Clearance 25" (635) Locks</b> Available (factory installed)			
CONDENSING UNIT	Condenser Access Front			
REFRIGERATION	<b>Refrigerant R600a Expansion Device</b> Capillary Tube Type w/Hermetic Compressor <b>Defrost</b> Chiller equipped w/automatic 4-hour hot gas defrost cycle and manual 6-hour defrost with auto restart (HC24FS model only)			
HEAT REJECTION (at 75°F ambient)	450 BTU/hr	700 BTU/hr	450 BTU/hr	
PULL DOWN CAPACITY	525 BTU/hr	525 BTU/hr	525 BTU/hr	
PLUMBING	None required. Moisture drains to self evaporating condensate pan			
ELECTRICAL	<b>Electrical Supply</b> 115V/60 Hz/1 Phase <b>Running Load Amps</b> HC24FS4: 2.4/HC24RS4 & HC24WS4: 1.6 <b>Cord Connection</b> Cord Connected (3-prong 6' NEMA 5-15P) <b>Thermostat</b> Digital <b>Lighting Type</b> LED			
VENTILATION	Front-vented			
CUSTOMER OPTIONS	<b>Door Finishes</b> Black Vinyl/Field Laminate (B), Stainless Steel (S), Glass w/ Black Vinyl/Field Laminate (G), Glass w/ Stainless Steel Frame (T), Stainless Steel Drawers (E), Black Vinyl/Field Laminate Drawers (D) <b>Door Handle Options</b> 24" full length stainless steel, Classic 6" chrome w/black vinyl grip, tab handle (top mount, stainless steel) <i>NOTE: Glass option not available for freezer or beer dispenser</i>			
ADDITIONAL ACCESSORIES	<b>Casters</b> 3.75" (Part No. 66736) <b>Legs</b> 4"-5" (Part No. 66734), 6"-7.25" (Part. No 66735)			

\*Product capacity based on 12 oz. long neck bottles (Refrigerator), 3" diameter glass size (Freezer) and 750 ml. wine bottles (Wine Reserve)

**NOTE:** This equipment is intended for the storage and display of non-potentially hazardous bottled or canned products only!

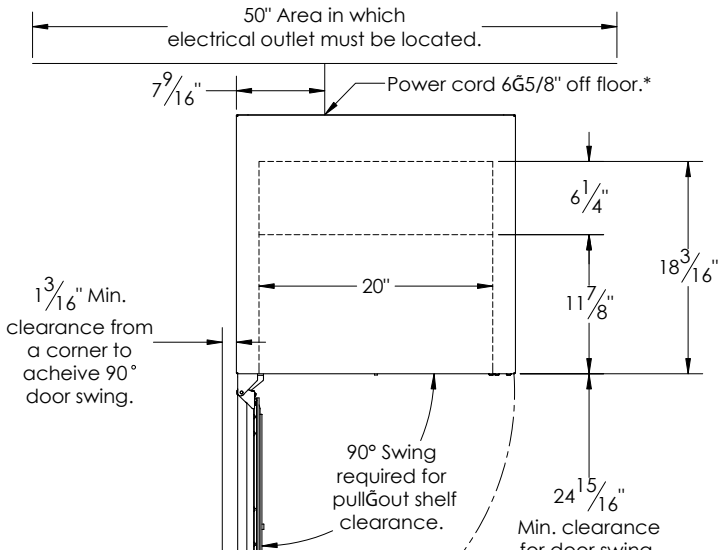
**California Prop 65 Notice:**

 **WARNING:** The materials used in this product may contain chemicals known to the State of California to cause cancer and birth defects or other reproductive harm, For more information go to [www.P65Warnings.ca.gov](http://www.P65Warnings.ca.gov).

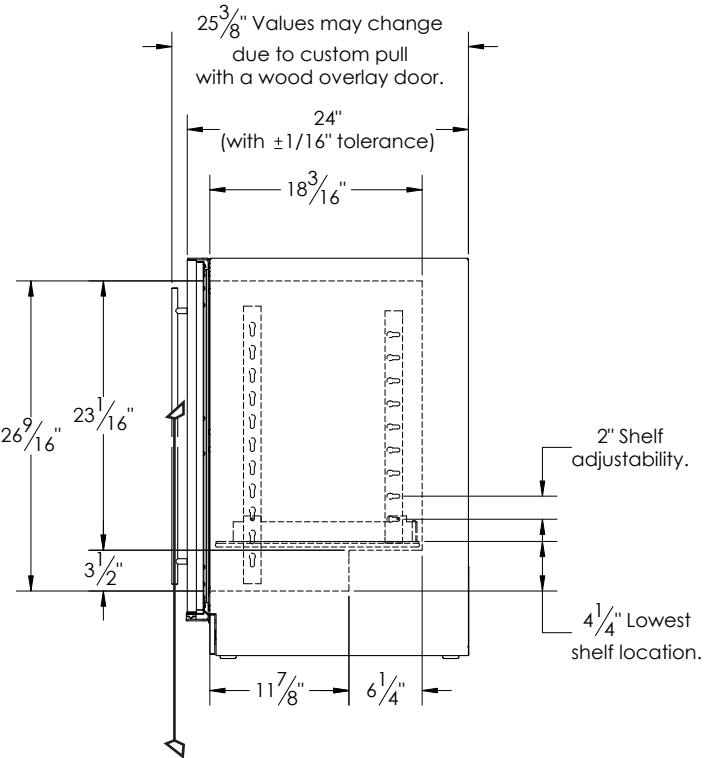
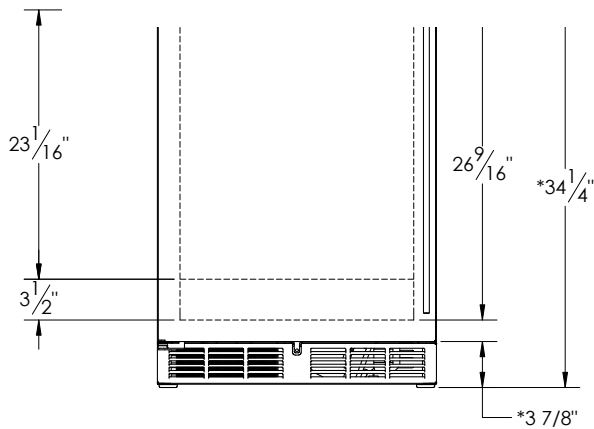
Form No. Z2365  
Rev. 07.21.2020



**24" SINGLE DOOR C-SERIES**  
REFRIGERATOR/CHILLER/WINE RESERVE/BEVERAGE DISPENSER



\*G Leg leveler can add 3/4" to these dimensions when fully extended.



**California Prop 65 Notice:**



**WARNING:** The materials used in this product may contain chemicals known to the State of California to cause cancer and birth defects or other reproductive harm. For more information go to [www.P65Warnings.ca.gov](http://www.P65Warnings.ca.gov).

Form No. Z2365  
Rev. 07.21.2020