



**SELF-CONTAINED DIRECT DRAW CONCESSIONAIRE  
2- AND 3-DOOR**



eco friendly  
R290 Hydrocarbon Refrigerant

JOB	
AREA	
ITEM NO.	
MODEL NO.	

DDC68	2-Door Model
DDC92	3-Door Model

Note: NSF/ANSI Standard 7 Listed for the storage and display of bottled or canned products only.

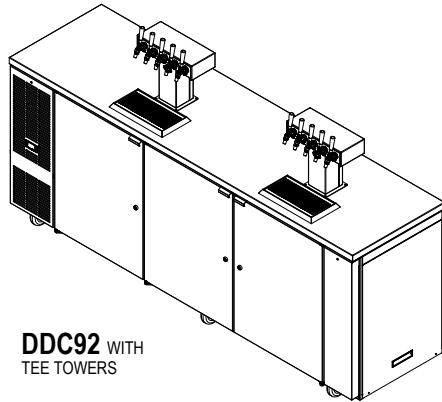
DDC92 shown with optional Draft Arm Towers.  
6 1/8" casters included.

MODEL NUMBERS		DDC68	DDC92
NUMBER OF DOORS		2	3
EXTERIOR CABINET DIMENSIONS	Length - in. (mm)	68 (1727)	92 (2337)
	Depth - in. (mm)	24 3/4 (629)	24 3/4 (629)
	Height - in. (mm)	34 5/8 (878)	34 5/8 (878)
INTERIOR CABINET DIMENSIONS	Length - in. (mm)	44 (1118)	68 (1727)
	Depth - in. (mm)	18 3/4 (476)	18 3/4 (476)
	Height - in. (mm)	28 1/2 (724)	28 1/2 (724)
* INTERNAL VOLUME, Net. Cu. Ft. (Litres)		16 (453)	24.8 (702)
MATERIALS		All stainless steel: Front, back, top and sides	
SHIPPING WEIGHT, Lbs. (kg.)		365 (165)	515 (233)
ELECTRICAL SPECIFICATIONS	Electrical Supply	120 VAC/60 Hz/1 Ph	120 VAC/60 Hz/1 Ph
	Running Load Amps	2.5	4.2
	Electrical Connection	Cord connected	Cord connected
	Cord Plug Type	NEMA 5-15	NEMA 5-15
	Cord Length	8'	8'
	Defrost Initiation	Automatic	Automatic
	Defrost Type	Off cycle	Off cycle
	Thermostat	Digital control	Digital control
REFRIGERATION SPECIFICATIONS	Horsepower	1/5	1/4
	Refrigerant	R290	R290
	Refrigerant Charge (grams)	100	90
	Factory Temperature Setting-Refrigerator F (C)	38° (3.3°)	38° (3.3°)
	Temperature Range-Refrigerator F (C)	33°-40° (0.5°-4.5°)	33°-40° (0.5°-4.5°)
	Condensing Unit Location	Left	Left
	Expansion Device	Capillary tube	Capillary tube
	Pull Out Condensing Unit	Yes	Yes
	Front Vented	Yes	Yes
PLUMBING	Floor Drain Included	Yes	Yes
	Evaporator Condensate	Automatically	Automatically

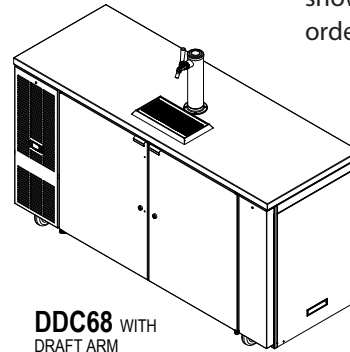
\* Note: For keg capacities and layouts, go to [www.perlick.com](http://www.perlick.com).



**SELF-CONTAINED DIRECT DRAW CONCESSIONAIRE**  
2- AND 3-DOOR

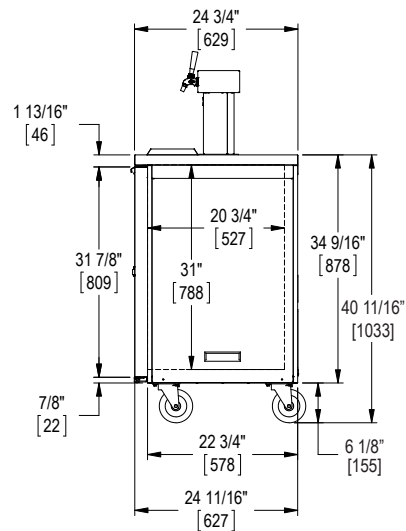
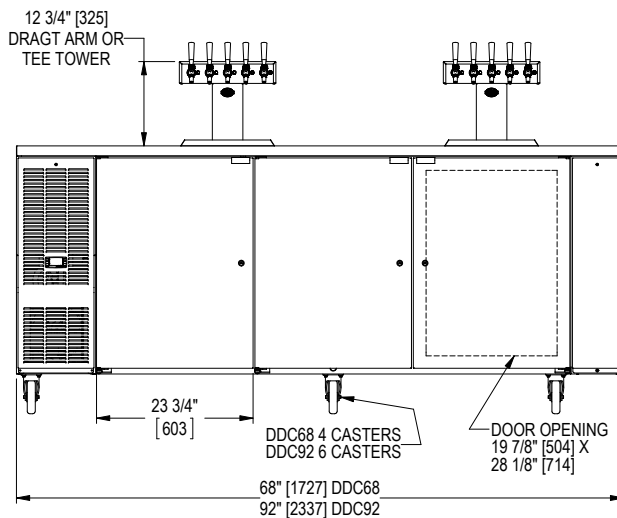
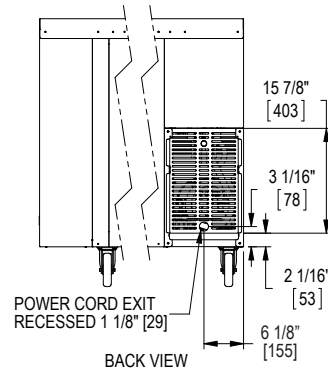
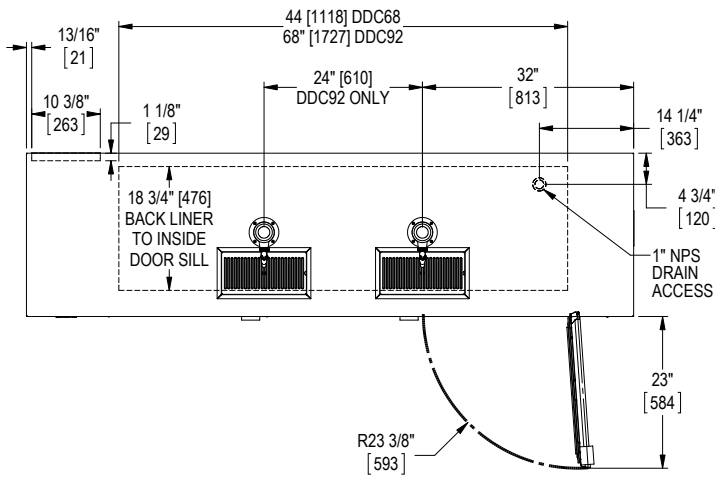


**DDC92** WITH TEE TOWERS



**DDC68** WITH DRAFT ARM

**Note:** All Dispensing Towers shown are optional and must be ordered separately.



**California Prop 65 Notice:**



**WARNING:** The materials used in this product may contain chemicals known to the State of California to cause cancer and birth defects or other reproductive harm. For more information go to [www.P65Warnings.ca.gov](http://www.P65Warnings.ca.gov).

Form No. 95170  
Rev. 12.18.2018