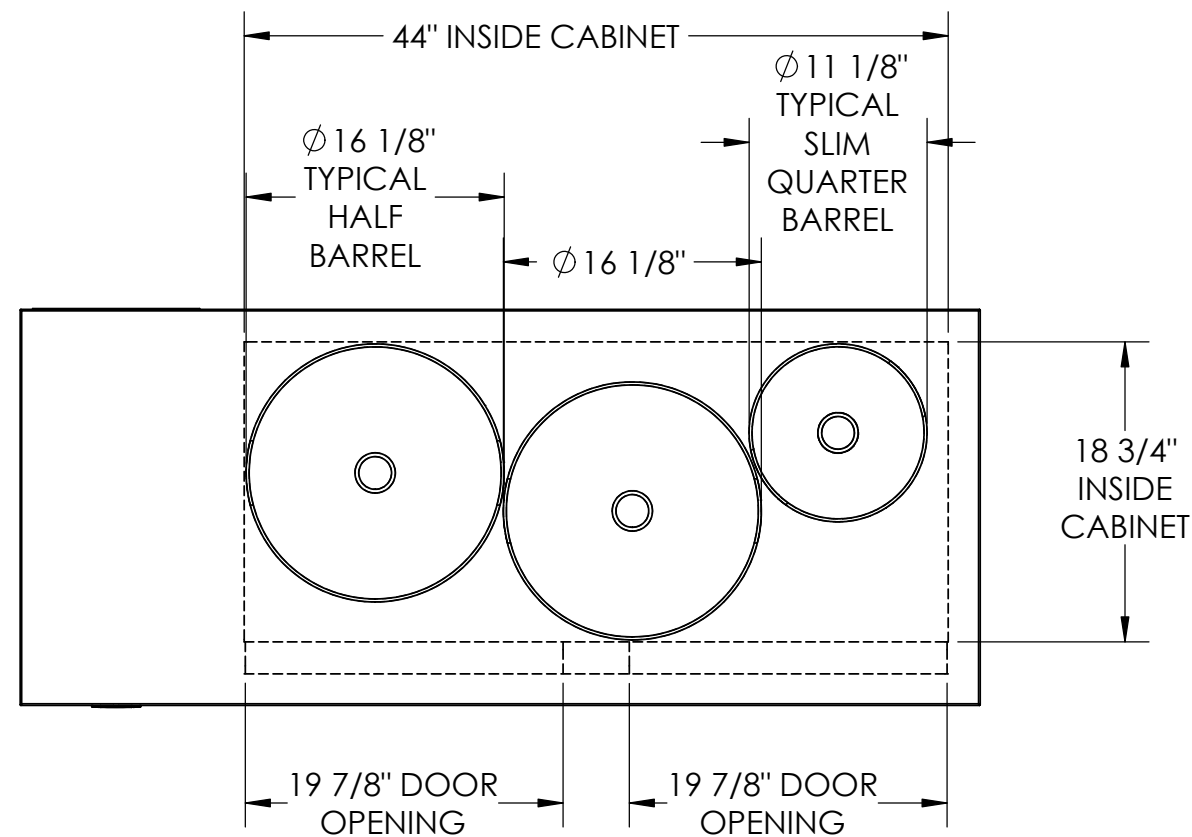
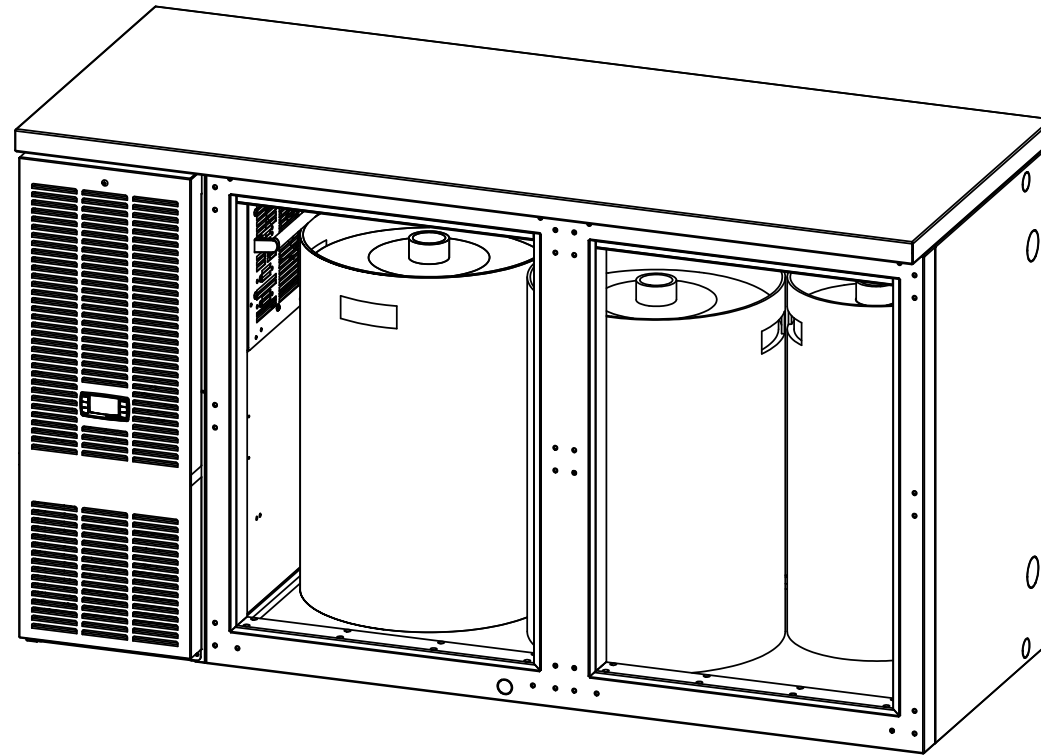


# KEG CAPACITY OF STANDARD 2 DOOR CABINETS (2 HALF BARRELS, 1 SLIM QUARTER BARREL)



NOTES:

1. KEG CAPACITY DIAGRAM IS SHOWN FOR MAXIMUM CABINET SPACE ONLY. CUSTOMER TO DETERMINE OPTIMUM PLACEMENT OF DIFFERENT KEG SIZES.
2. KEG TO KEG SPACING & KEG TO WALL SPACING IS SHOWN AT 1/8".
3. REFERENCE ASSEMBLY NUMBER IS: BBS60



PERLICK CORPORATION  
MILWAUKEE, WI 53223

PROPERTY OF THE PERLICK CORP.  
NOT TO BE COPIED OR USED DETRIMENTAL TO OUR INTERESTS

SCALE: 1:12

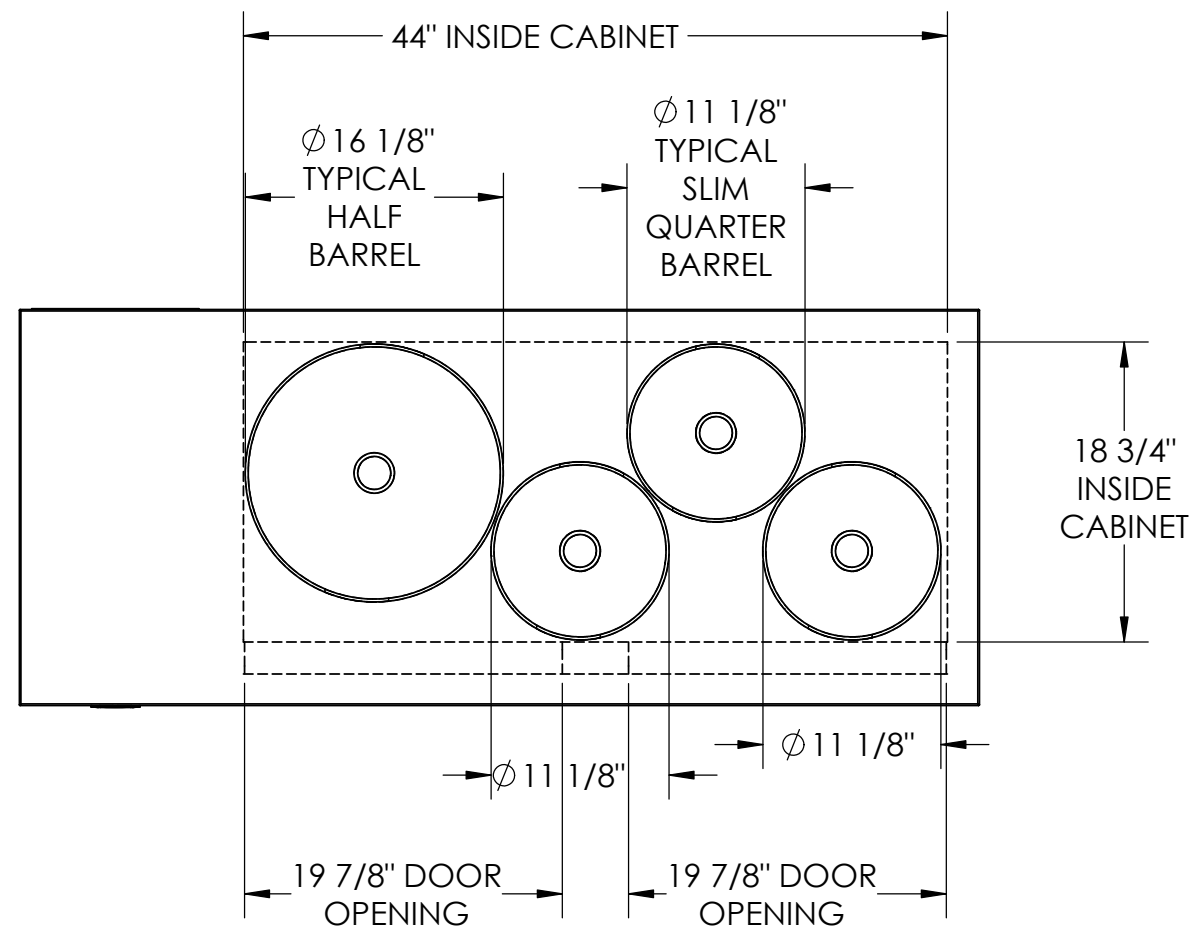
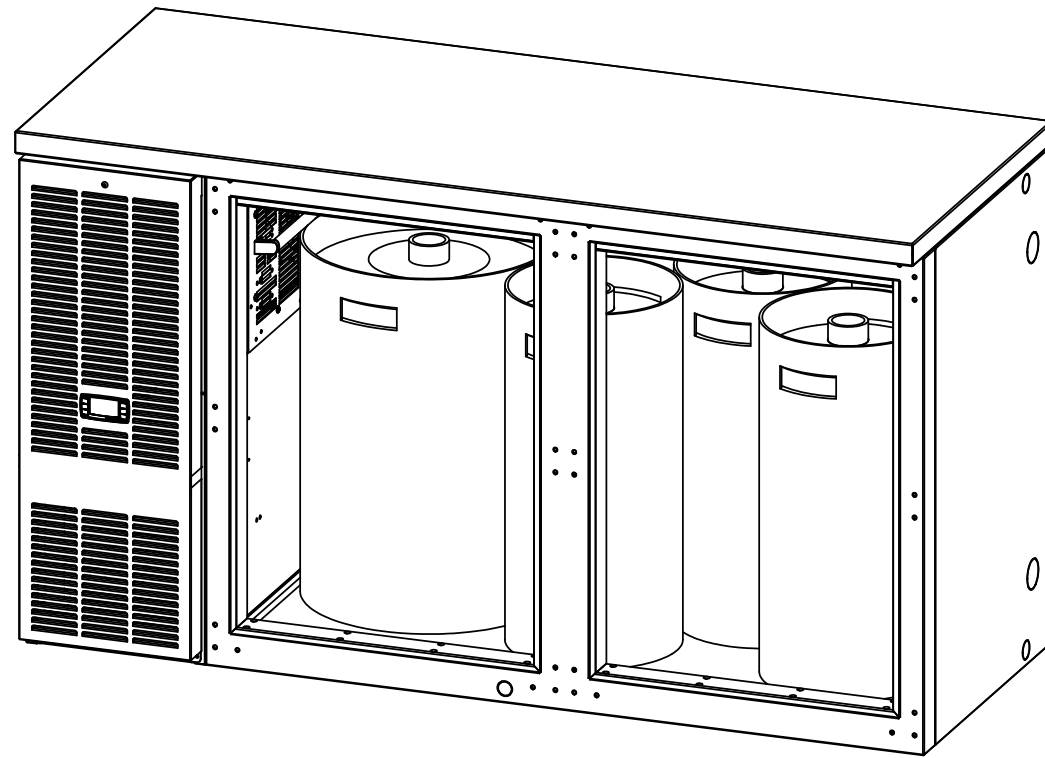
DR.: TJZ DATE: 05/28/13

PRINTED  
5/29/2013

**95143**

SHEET 1 OF 5

# KEG CAPACITY OF STANDARD 2 DOOR CABINETS (1 HALF BARREL, 3 SLIM QUARTER BARRELS)



NOTES:

1. KEG CAPACITY DIAGRAM IS SHOWN FOR MAXIMUM CABINET SPACE ONLY. CUSTOMER TO DETERMINE OPTIMUM PLACEMENT OF DIFFERENT KEG SIZES.
2. KEG TO KEG SPACING & KEG TO WALL SPACING IS SHOWN AT 1/8".
3. REFERENCE ASSEMBLY NUMBER IS: BBS60



PERLICK CORPORATION  
MILWAUKEE, WI 53223

PROPERTY OF THE PERLICK CORP.  
NOT TO BE COPIED OR USED DETRIMENTAL TO OUR INTERESTS

SCALE: 1:12

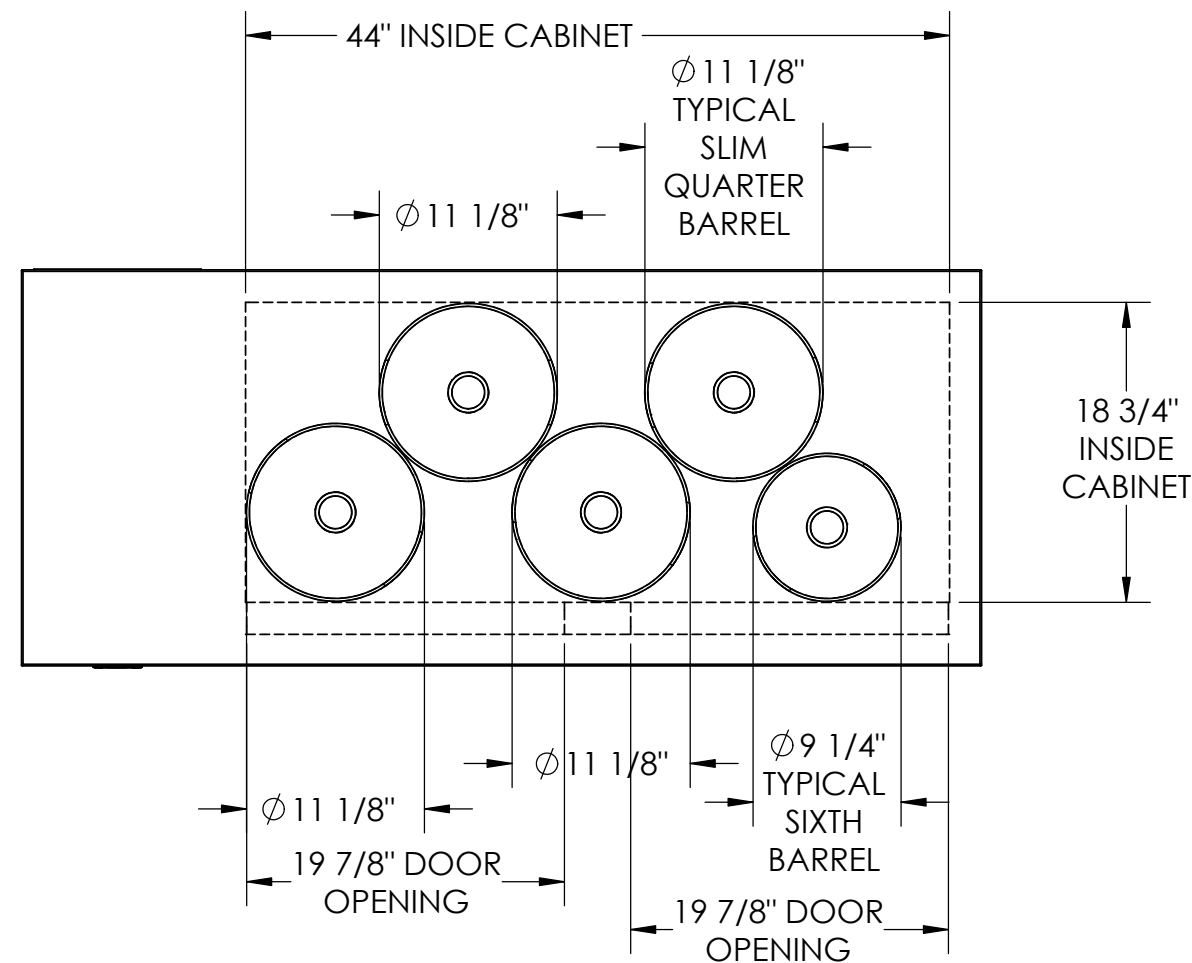
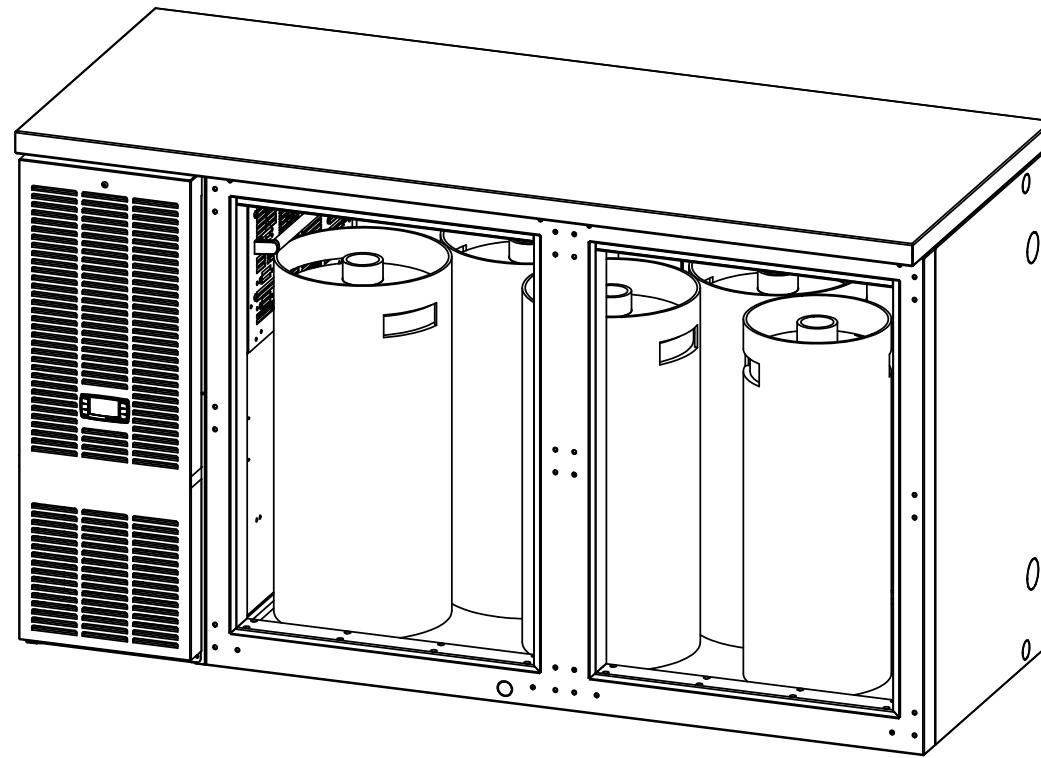
DR.: TJZ DATE: 05/28/13

PRINTED  
5/29/2013

95143

SHEET 2 OF 5

# KEG CAPACITY OF STANDARD 2 DOOR CABINETS ( 4 SLIM QUARTER BARRELS, 1 SIXTH BARREL )



NOTES:

1. KEG CAPACITY DIAGRAM IS SHOWN FOR MAXIMUM CABINET SPACE ONLY. CUSTOMER TO DETERMINE OPTIMUM PLACEMENT OF DIFFERENT KEG SIZES.
2. KEG TO KEG SPACING & KEG TO WALL SPACING IS SHOWN AT 1/16".
3. REFERENCE ASSEMBLY NUMBER IS: BBS60



PERLICK CORPORATION  
MILWAUKEE, WI 53223

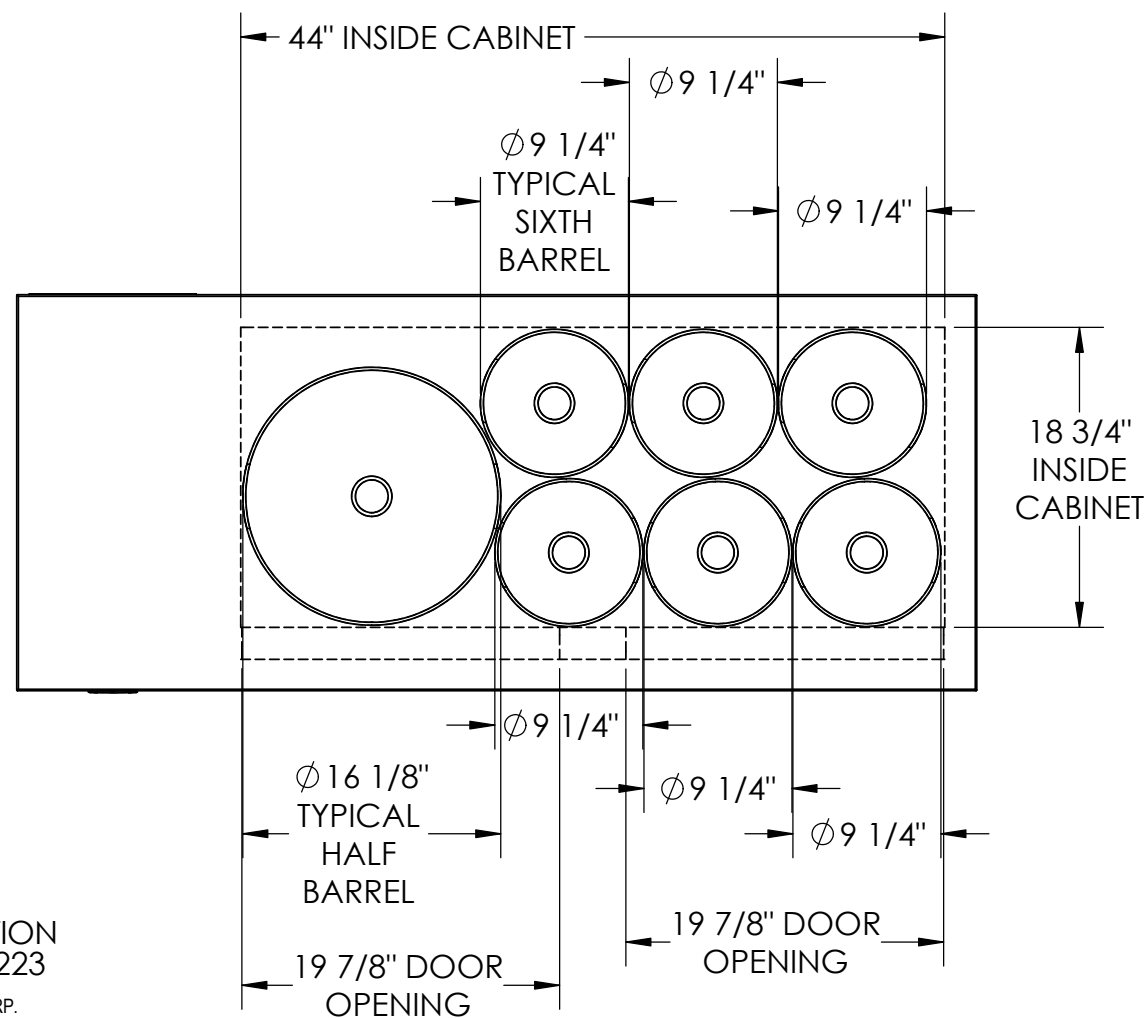
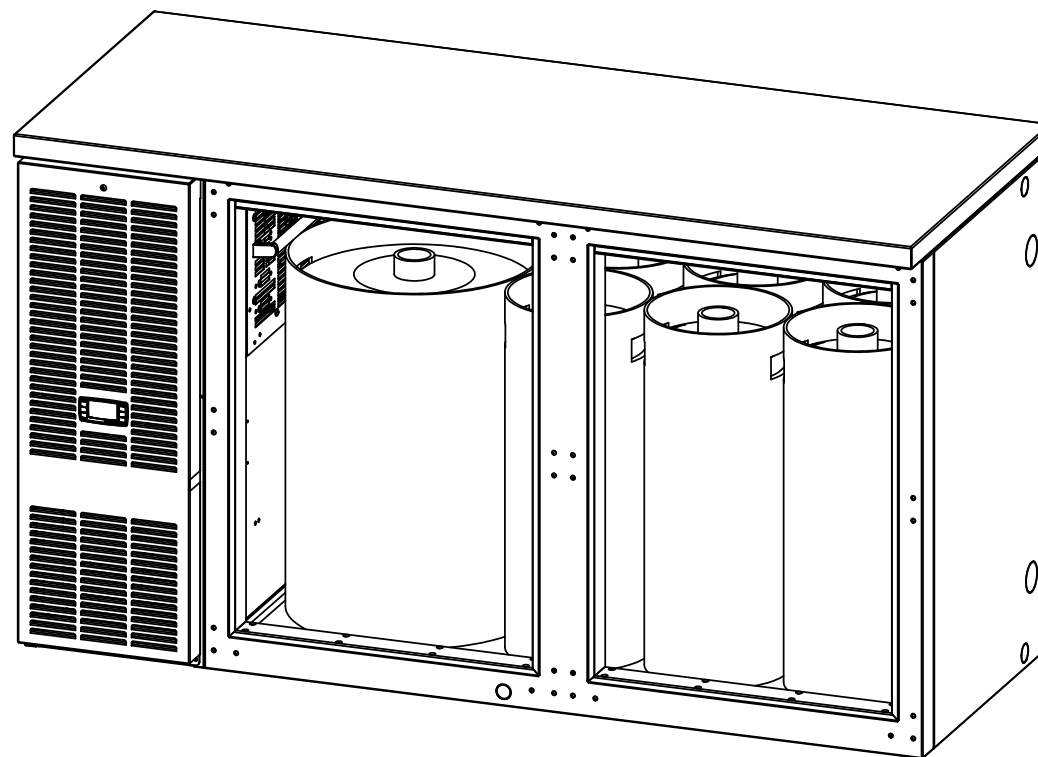
PROPERTY OF THE PERLICK CORP.  
NOT TO BE COPIED OR USED DETRIMENTAL TO OUR INTERESTS

SCALE: 1:12  
DR.: TJZ DATE: 05/28/13

PRINTED  
5/29/2013

**95143**  
SHEET 3 OF 5

# KEG CAPACITY OF STANDARD 2 DOOR CABINETS (1 HALF BARREL, 6 SIXTH BARRELS)



**NOTES:**

1. KEG CAPACITY DIAGRAM IS SHOWN FOR MAXIMUM CABINET SPACE ONLY. CUSTOMER TO DETERMINE OPTIMUM PLACEMENT OF DIFFERENT KEG SIZES.
2. KEG TO KEG SPACING & KEG TO WALL SPACING IS SHOWN AT 1/8".
3. REFERENCE ASSEMBLY NUMBER IS: BBS60



PERLICK CORPORATION  
MILWAUKEE, WI 53223

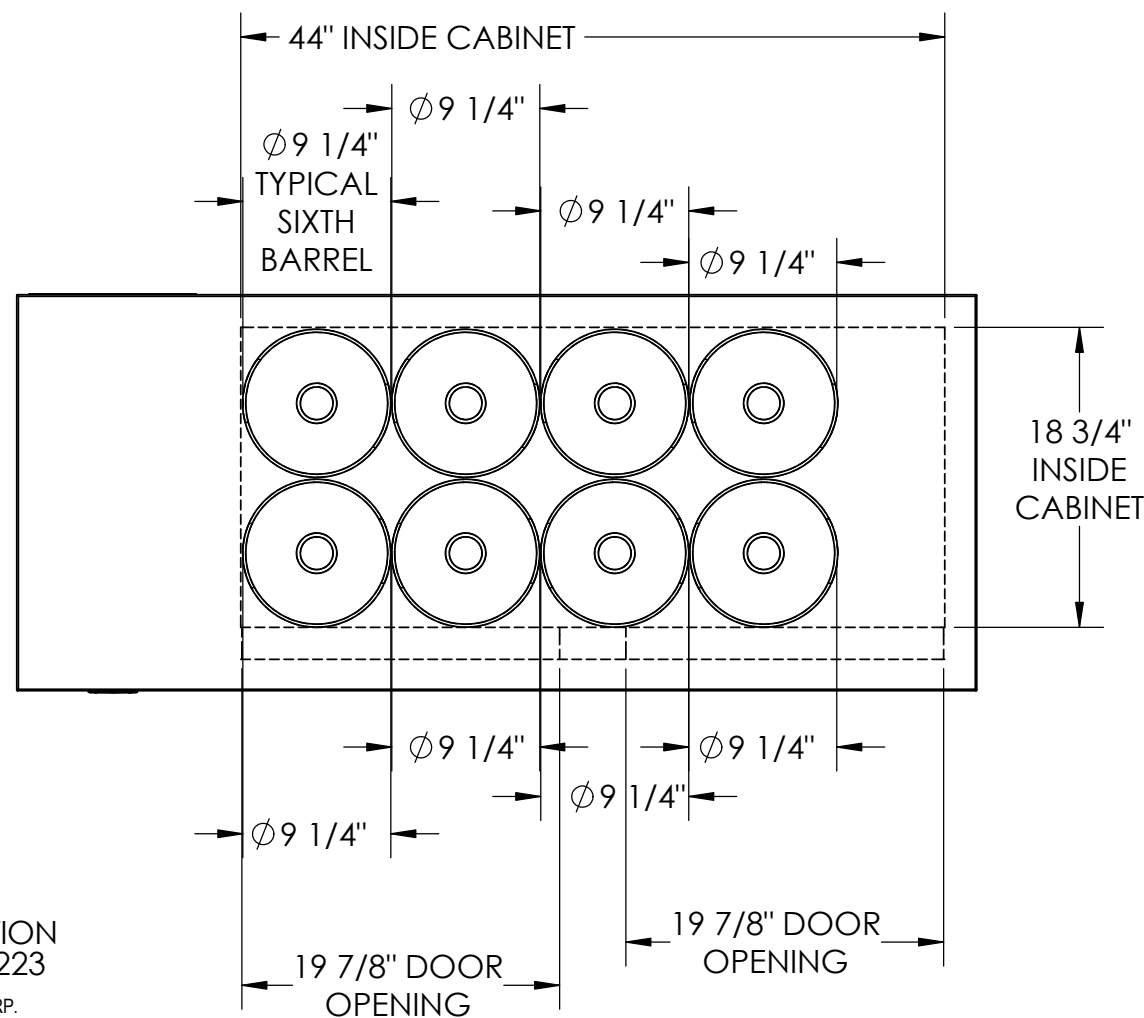
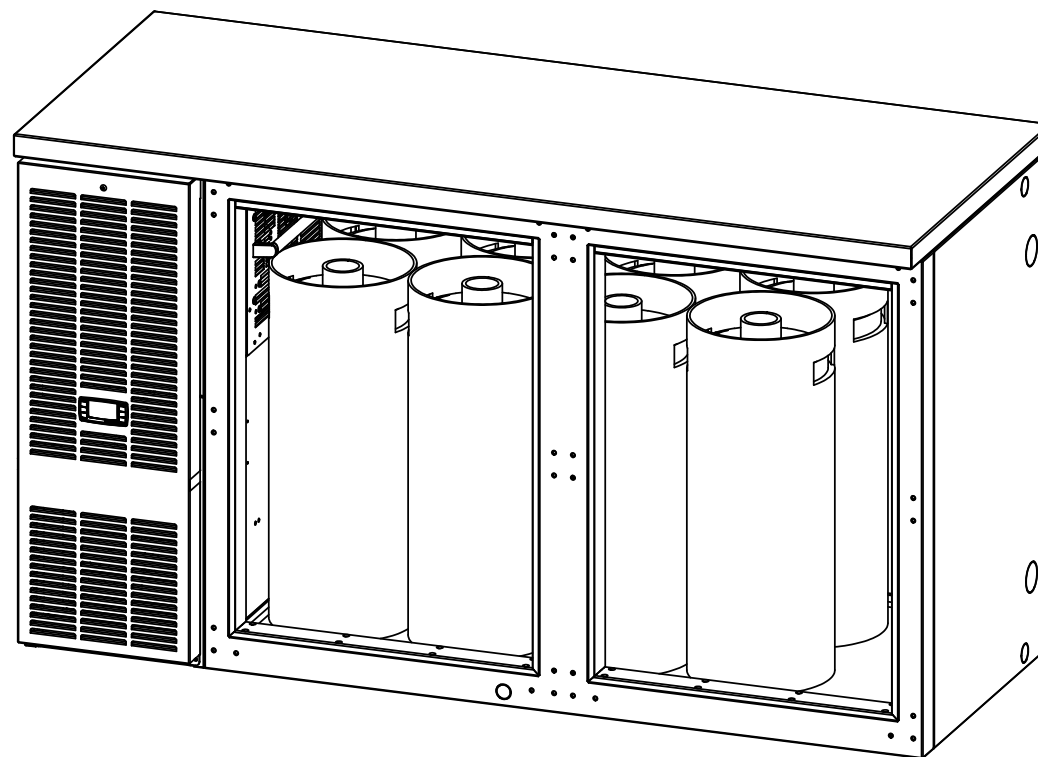
PROPERTY OF THE PERLICK CORP.  
NOT TO BE COPIED OR USED DETRIMENTAL TO OUR INTERESTS

SCALE: 1:12  
DR.: TJZ DATE: 05/28/13

PRINTED  
5/29/2013

**95143**  
SHEET 4 OF 5

# KEG CAPACITY OF STANDARD 2 DOOR CABINETS ( 8 SIXTH BARRELS)



**NOTES:**

1. KEG CAPACITY DIAGRAM IS SHOWN FOR MAXIMUM CABINET SPACE ONLY. CUSTOMER TO DETERMINE OPTIMUM PLACEMENT OF DIFFERENT KEG SIZES.
2. KEG TO KEG SPACING & KEG TO WALL SPACING IS SHOWN AT 1/8".
3. REFERANCE ASSEMBLY NUMBER IS: BBS60



PERLICK CORPORATION  
MILWAUKEE, WI 53223

PROPERTY OF THE PERLICK CORP.  
NOT TO BE COPIED OR USED DETRIMENTAL TO OUR INTERESTS

SCALE: 1:12  
DR.: TJZ DATE: 05/28/13

PRINTED  
5/29/2013

**95143**  
SHEET 5 OF 5