

Perlick® PRE-CONFIGURED COCKTAIL STATIONS



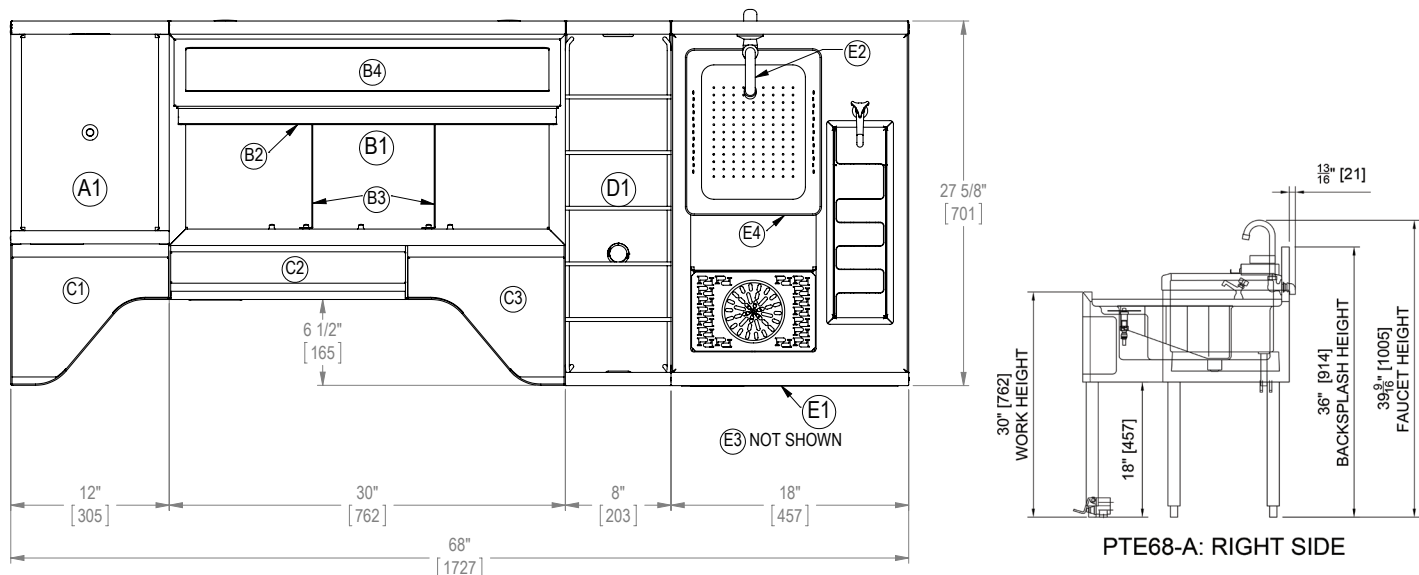
Note: See BBS36C cutsheet for additional information on Drawer Unit.

JOB	
AREA	
ITEM NO.	
MODEL NO.	

MODEL	
PTE68-A	68" Cocktail Station

Included Equipment

ITEM #	PART NO.	DESCRIPTION	QTY.
A1	TSC12IBW	Insulated Bottle Well, 12", (17" Depth)	1
B1	TSC30IC10	Ice Chest, w/10 Circuit Cold Plate, 30" (17" Depth)	1
B2	ICC-C30	Covers, 3 Piece, Sliding, 30"	1
B3	ICC-TSC	Ice Divider	2
B4	ICBT-9	Bottle Tray, 30", 9 Bottles	1
C1	SRC-CL	Speed Rail, Curved, Left End	1
C2	SRC-S18	Speed Rail, Single, 18"	1
C3	SRC-CR	Speed Rail, Curved, Right End	1
D1	TSCE8SSR	Slanted Speed Rack, 8" (27-1/2" Depth)	1
E1	TSCE18PSTC-RC	Utility Sink w/Glass Rinser & Tool Caddy, 18" w/Recessed Cubby (27-1/2" Depth)	1
E2	67419-GN-LF	Swing Spout, Goose Neck, Wall Mount	1
E3	67420-2-LF	Water Valve, Dual Pedal, Foot Operated, 1/2 NPT	1
E4	7055-47	Wet Waste Basket, Stainless Steel	1

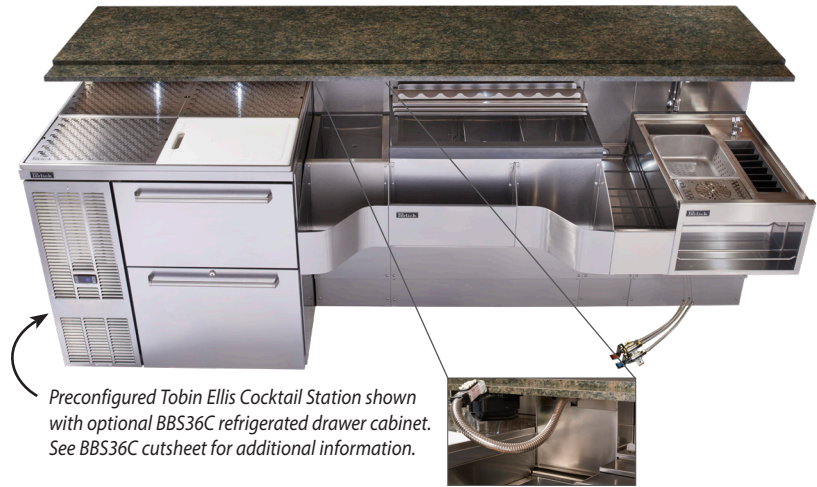


California Prop 65 Notice:

WARNING: The materials used in this product may contain chemicals known to the State of California to cause cancer and birth defects or other reproductive harm. For more information go to www.P65Warnings.ca.gov.

Form No. Z2390
Rev. 08.06.2020

Perlick® PRE-CONFIGURED COCKTAIL STATIONS



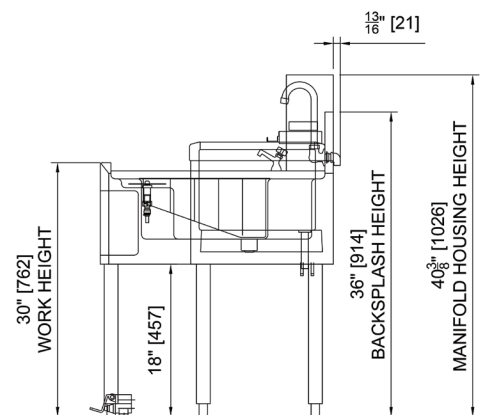
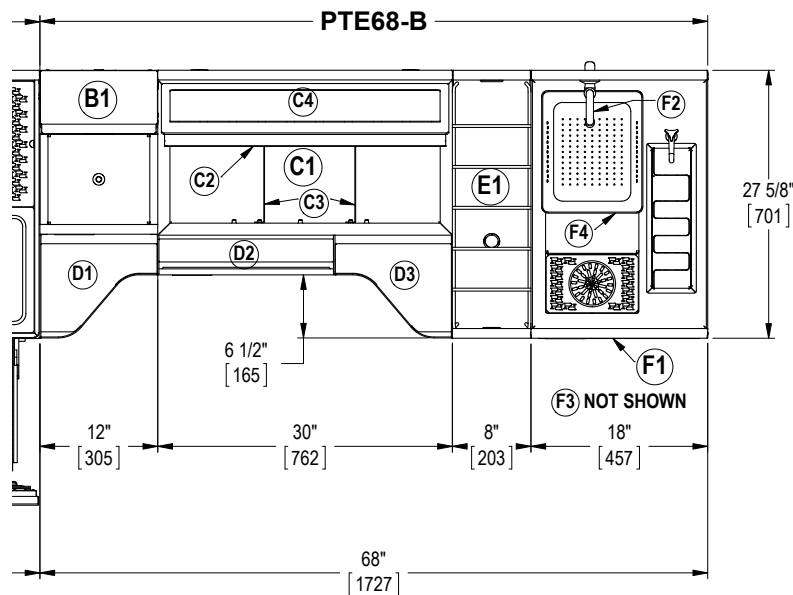
Preconfigured Tobin Ellis Cocktail Station shown with optional BBS36C refrigerated drawer cabinet. See BBS36C cutsheet for additional information.

JOB	
AREA	
ITEM NO.	
MODEL NO.	

MODEL	
PTE68-B	68" Cocktail Station

Included Equipment

ITEM #	PART NO.	DESCRIPTION	QTY.
B1	TSC12IBW-MH	Insulated Bottle Well with Soda Gun, Manifold Housing, 12", (17" Depth)	1
C1	TSC30IC10	Ice Chest, w/10 Circuit Cold Plate, 30" (17" Depth)	1
C2	ICC-C30	Covers, 3 Piece, Sliding, 30"	1
C3	ICC-TSC	Ice Divider	2
C4	ICBT-9	Bottle Tray, 30", 9 Bottles	1
D1	SRC-CL	Speed Rail, Curved, Left End	1
D2	SRC-S18	Speed Rail, Single, 18"	1
D3	SRC-CR	Speed Rail, Curved, Right End	1
E1	TSCE8SSR	Slanted Speed Rack, 8" (27-1/2" Depth)	1
F1	TSCE18PSTC-RC	Utility Sink w/Glass Rinser & Tool Caddy, 18" w/Recessed Cubby (27-1/2" Depth)	1
F2	67419-GN-LF	Swing Spout, Goose Neck, Wall Mount	1
F3	67420-2-LF	Water Valve, Dual Pedal, Foot Operated, 1/2 NPT	1
F4	7055-47	Wet Waste Basket, Stainless Steel	1



PTE68-B: RIGHT SIDE

Form No. Z2390
Rev. 08.06.2020

Perlick® PRE-CONFIGURED COCKTAIL STATIONS



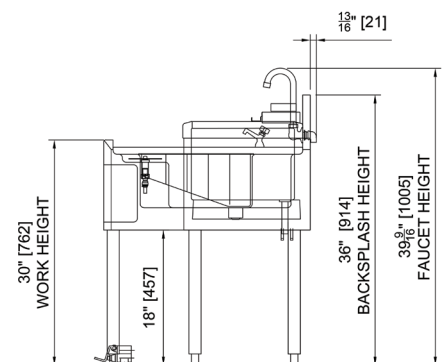
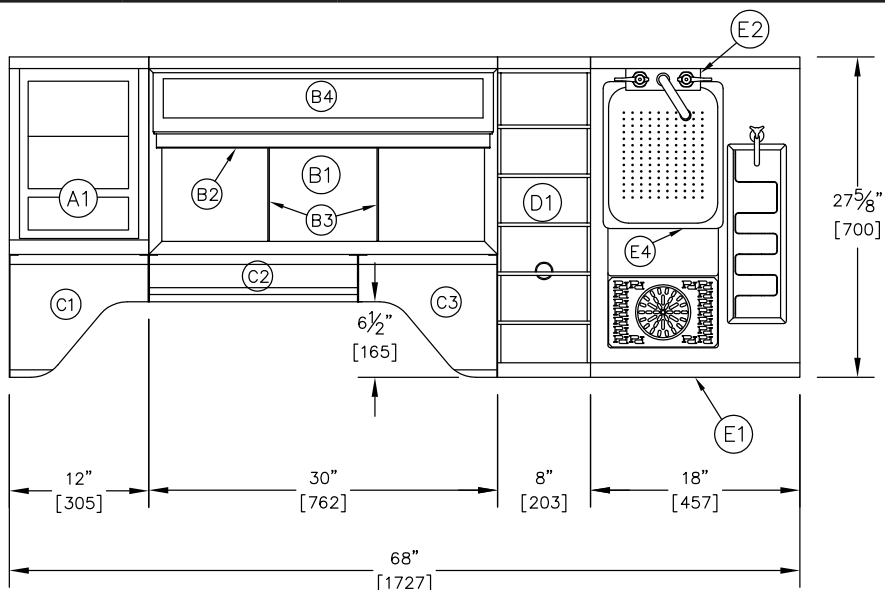
Shown with optional BBS36C
 Note: See BBS36C cutsheet for additional information on Drawer Unit.

JOB	
AREA	
ITEM NO.	
MODEL NO.	

MODEL	
PTE68-C	68" Cocktail Station with Ice Vault

Included Equipment

ITEM #	PART NO.	DESCRIPTION	QTY.
A1	ISC-12	Perlick Ice Vault™	1
B1	TSC30IC10	Ice Chest, w/10 Circuit Cold Plate, 30" (17" Depth)	1
B2	ICC-C30	Covers, 3 Piece, Sliding, 30"	1
B3	ICC-TSC	Ice Divider	2
B4	ICBT-9	Bottle Tray, 30", 9 Bottles	1
C1	SRC-CL	Speed Rail, Curved, Left End	1
C2	SRC-S18	Speed Rail, Single, 18"	1
C3	SRC-CR	Speed Rail, Curved, Right End	1
D1	TSCE8SSR	Slanted Speed Rack, 8" (27-1/2" Depth)	1
E1	TSCE18PSTC-RC	Utility Sink w/Glass Rinser & Tool Caddy, 18" w/Recessed Cubby (27-1/2" Depth)	1
E2	67419-GN-LF	Swing Spout, Goose Neck, Wall Mount	1
E3	67420-2-LF	Water Valve, Dual Pedal, Foot Operated, 1/2 NPT	1
E4	7055-47	Wet Waste Basket, Stainless Steel	1



California Prop 65 Notice:

WARNING: The materials used in this product may contain chemicals known to the State of California to cause cancer and birth defects or other reproductive harm. For more information go to www.P65Warnings.ca.gov.

Form No. Z2390
 Rev. 08.06.2020

Perlick® PRE-CONFIGURED COCKTAIL STATIONS

MODEL	
PTE80-A	80" Cocktail Station

Included Equipment

ITEM #	PART NO.	DESCRIPTION	QTY.
A1	TSCE12IBW	Insulated Bottle Well, 12", (27-1/2" Depth)	1
A2	TSC12IBW-MH	Insulated Bottle Well, w/Manifold Housing, 12" (17" Depth)	1
B1	TSC30IC10	Ice Chest, w/10 Circuit Cold Plate, 30" (17" Depth)	1
B2	ICC-C30	Covers, 3 Piece, Sliding, 30"	1
B3	ICC-TSC	Ice Divider	2
B4	ICBT-9	Bottle Tray, 30", 9 Bottles	1
C1	SRC-CL	Speed Rail, Curved, Left End	1
C2	SRC-S18	Speed Rail, Single, 18"	1
C3	SRC-CR	Speed Rail, Curved, Right End	1
D1	TSCE8SSR-BP	Slanted Speed Rack, 8" w/Blender Platform (27-1/2" Depth)	1
E1	TSCE18PSTC-RC	Utility Sink w/Glass Rinser & Tool Caddy, 18" w/Recessed Cubby (27-1/2" Depth)	1
E2	67419-GN-LF	Swing Spout, Goose Neck, Wall Mount	1
E3	67420-2-LF	Water Valve, Dual Pedal, Foot Operated, 1/2 NPT	1
E4	7055-47	Wet Waste Basket, Stainless Steel	1

