

**Perlick® ICE CREAM CENTER
TS AND TSD SERIES**



JOB	
AREA	
ITEM NO.	
MODEL NO.	

MODELS	
TS SERIES	TSD SERIES
TS24DC-A	TSD24DC-A



TSD24DC-A shown with 8000A installed

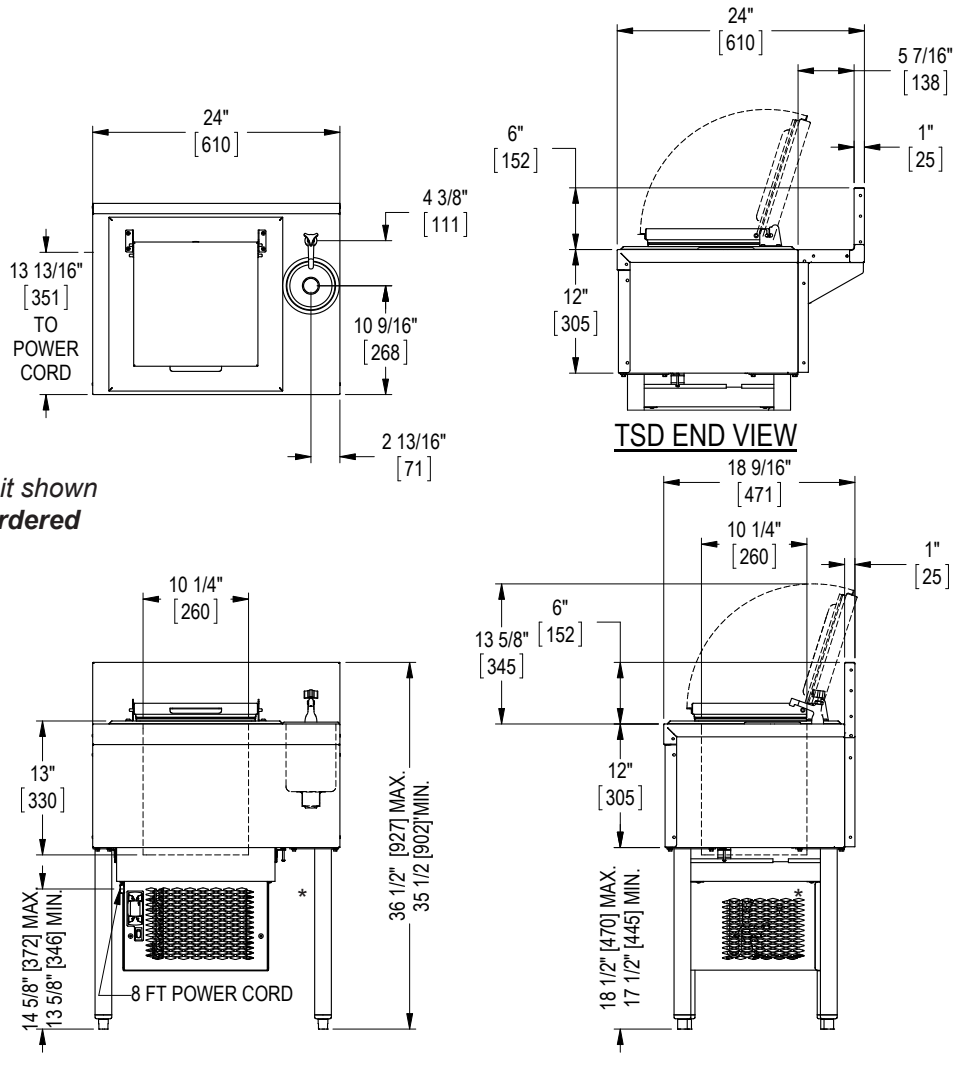
Perlick Features

- Underbar module for refrigerated ice cream unit (8000A Ice Cream Freezer must be ordered separately)
- Stainless Steel top, front and sides
- Galvanized bottom and back
- 5" stainless steel dipper-well with removable perforated basket. Chrome-plated fine-stream faucet.
- Stainless steel legs install with rust proof thermoplastic feet



**ICE CREAM CENTER
TS AND TSD SERIES**

MODEL NOS.	TS24DC-A and TSD24DC-A
LENGTH in. (mm)	24" [610]
SHIP WT. lbs. (kg)	42 [19]
TOP, FRONT & SIDES	Stainless steel
BACK & BOTTOM	Galvanized steel
BACKSPASH	TS Series: Stainless steel 6" high (4" high optional) with 1" return at top, mechanically fastened and sealed with steel support brackets. TSD Series: Stainless steel rear deck.
LEGS	1-5/8" tubular, stainless steel with 1" adjustable plastic thermoplastic foot.
DISH WELL & FAUCET	5" stainless steel disher well with removable perforated basket. Chrome-plated fine-stream faucet.
DROP-IN ICE CREAM UNIT	Stainless steel top and removable hinged door lid. Ice cream well: No. 2B dull stainless steel. NSF listed. Must be ordered separately.
REFRIGERATION	1/5 h.p.
PLUMBING	Drain-connection- 1" NPS Male. Cold Water connection: 1/2" IPS shank (includes 1/4" MPT tailpiece).



*Drop-in Ice Cream Unit shown for clarity; **must be ordered separately**