

Scotsman®

BH1100, BH1300, BH1600 - Storage Bins

Large Modular Storage Bins



Features and Benefits

- Spring loaded door hinge keeps door open when accessing ice.
- Seamless poly liner inside the bin for better sanitation. Resists scratches and scuffs.
- All models available with all stainless steel construction or stainless steel with galvanized back and bottom.
- Features a roto-molded pouch door that is dent and scratch resistant and doesn't sweat.
- The pouch style door can be installed without tools in less than five minutes. It is shipped inside the bin to provide a narrower bin for delivery through doorways.
- Adjustable bin top filler panels included for use with most Scotsman ice machines.



Storage Capacity

BH1100BB/SS	BH1300BB/SS	BH1600BB/SS
Application Capacity	Application Capacity	Application Capacity
1100/499 lb/kg	1400/635 lb/kg	1755/796 lb/kg

Application capacity is based on 90% of total volume in cubic feet x 34 lb/ft³



First Ice In First Ice Out

The first ice that drops in the bin is the first ice that comes out and is used, ensuring fresh tasting all the time.



Dimensions (W x D x H)*

BH1100BB/SS	BH1300BB/SS	BH1600BB/SS
48" x 34" x 50" (121.9 x 86.4 x 127.0 cm)	60" x 34" x 50" (152.4 x 86.4 x 127.0 cm)	60" x 34" x 62" (152.4 x 86.4 x 157.5 cm)

BB - All stainless steel except galvanized back and bottom.
SS - All stainless steel with polyethylene liner.

* Add 6" Height for bin legs.



Certification



Polyurethane Insulation

Foam insulation is forced between the wall and liner under heat and pressure to form a perfect wall to wall bond, preserving ice supply for long periods.



Warranty

- 5 years parts and labor on all components.
- Warranty valid in North, South & Central America for commercial installations.
- Contact factory for warranty in other regions.
- Residential Applications: 1 year parts and labor

BH1100, BH1300, BH1600 - Storage Bins

Scotsman®

• 101 Corporate Woods Parkway, Vernon Hills, IL 60061 •
• 1-800-SCOTSMAN • Fax: 847-913-9844 • www.scotsman-ice.com • customer.relations@scotsman-ice.com •

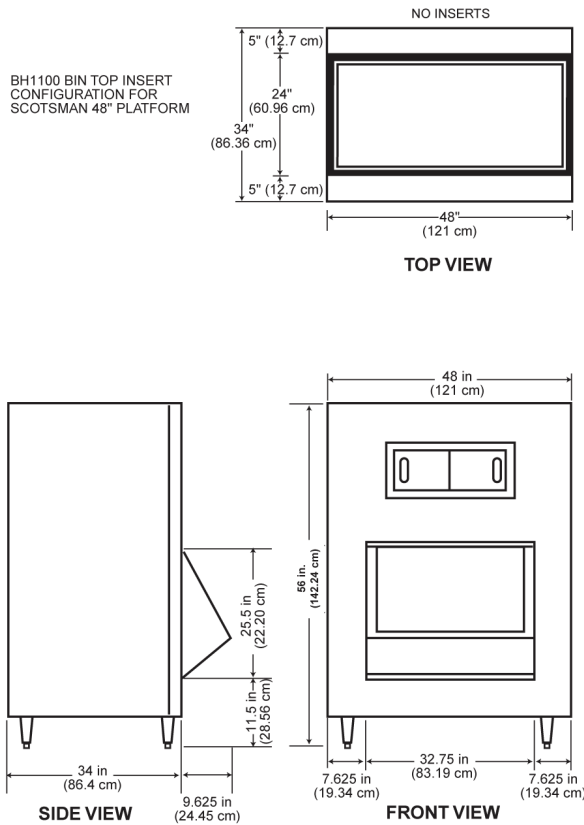
BH1100, BH1300, BH1600 - Storage Bins

Large Modular Storage Bins

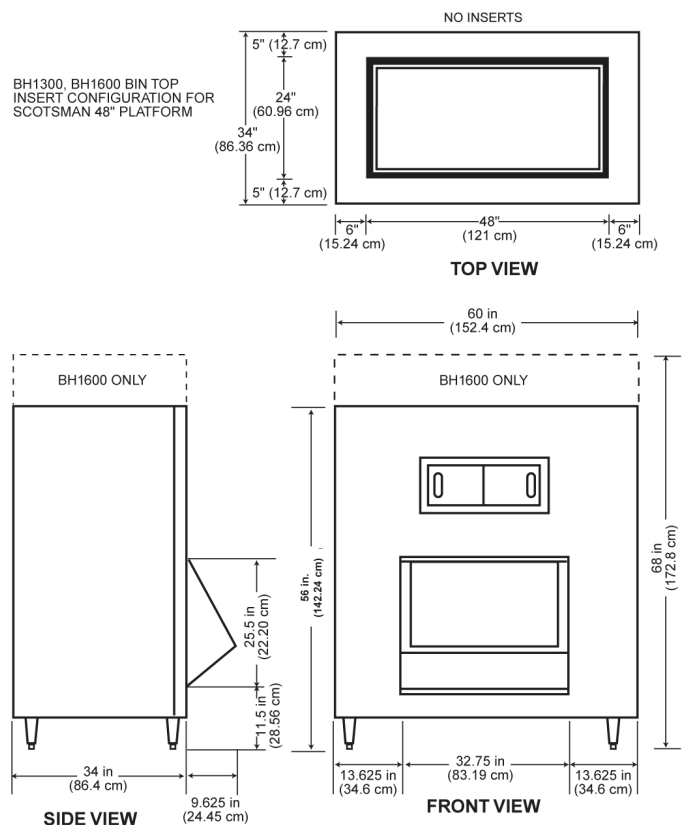
BH1100, BH1300, BH1600 - Storage Bins

Installation Note: Allow 6" space at back for utility connections.

1100 UPRIGHT



1300/1600 UPRIGHT



Drain: 1" FPT drain fitting



Shipping Information

Model #	Carton (W x D x H)	Weight (lb/kg)
BH1100BB-A	54" x 39" x 56"	280/127
BH1100SS-A	54" x 39" x 56"	280/127
BH1300BB-A	65" x 41" x 56"	310/141
BH1300SS-A	65" x 41" x 56"	310/141
BH1600BB-A	65" x 41" x 67"	370/168
BH1600SS-A	65" x 41" x 67"	370/168



Field Installed Stainless Steel Bin Tops

Model Number	BH1100BB/SS	BH1300BB/SS	BH1600BB/SS
EH222	KBT50	KBT52	KBT52
(2) 22" units side-by-side	KBT51	KBT53	KBT53
(2) 30" Cubers side-by-side	-	KBT54	KBT54

an Ali Group Company



The Spirit of Excellence

Scotsman