

TECHNICAL DATA

Dimensions

Exterior Dimensions (WxDxH)	57.6" x 20.5" x 33.9"
Interior Dimensions (WxDxH)	42.6" x 16.5" x 29.5"
Net Volume (cu. ft.)	12 cu. ft.
Gross Weight	229 lbs
Packaging Dimensions (WxDxH)	60" x 23" x 39.5"

Cooling

Temperature Range	33° - 40° F
Refrigerant	R290
Maximum Ambient Temperature Rating	90° F
Defrosting	Automatic
Temperature Display	Yes
Temperature Controller	Digital
H/P	1/4+

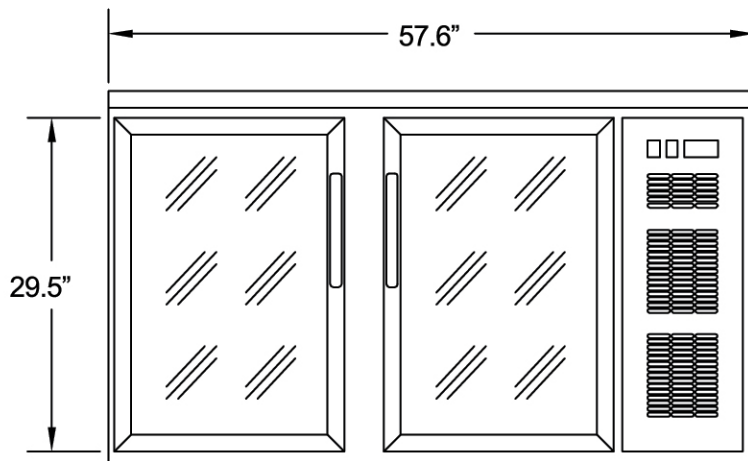
Construction

Exterior Material	430 series stainless steel
Interior Material	304 series stainless steel
Insulation Material	Foamed in place polyurethane
Shelf Load Capacity	90 lbs
Handles only on Models	SGBBB-58-SL/SSGBB-58-SI

Electrical

Voltage	110
Amps	2.6
Hz	60
Phase	1

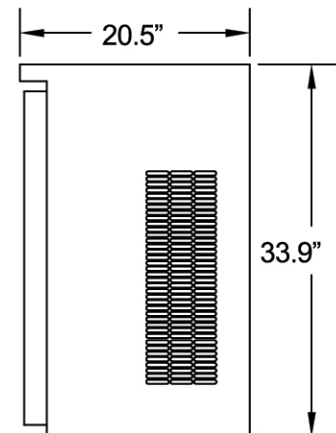
PLAN VIEW



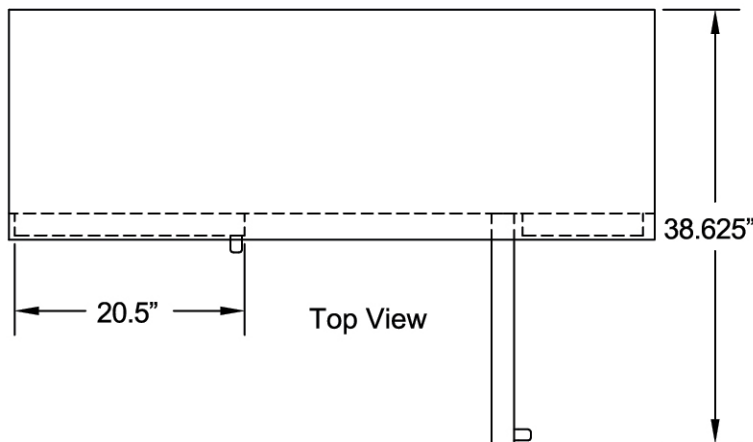
Front View



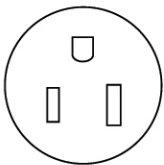
COMPLIES WITH ANSI/NSF 7 FOR FOOD SERVICE



Side View

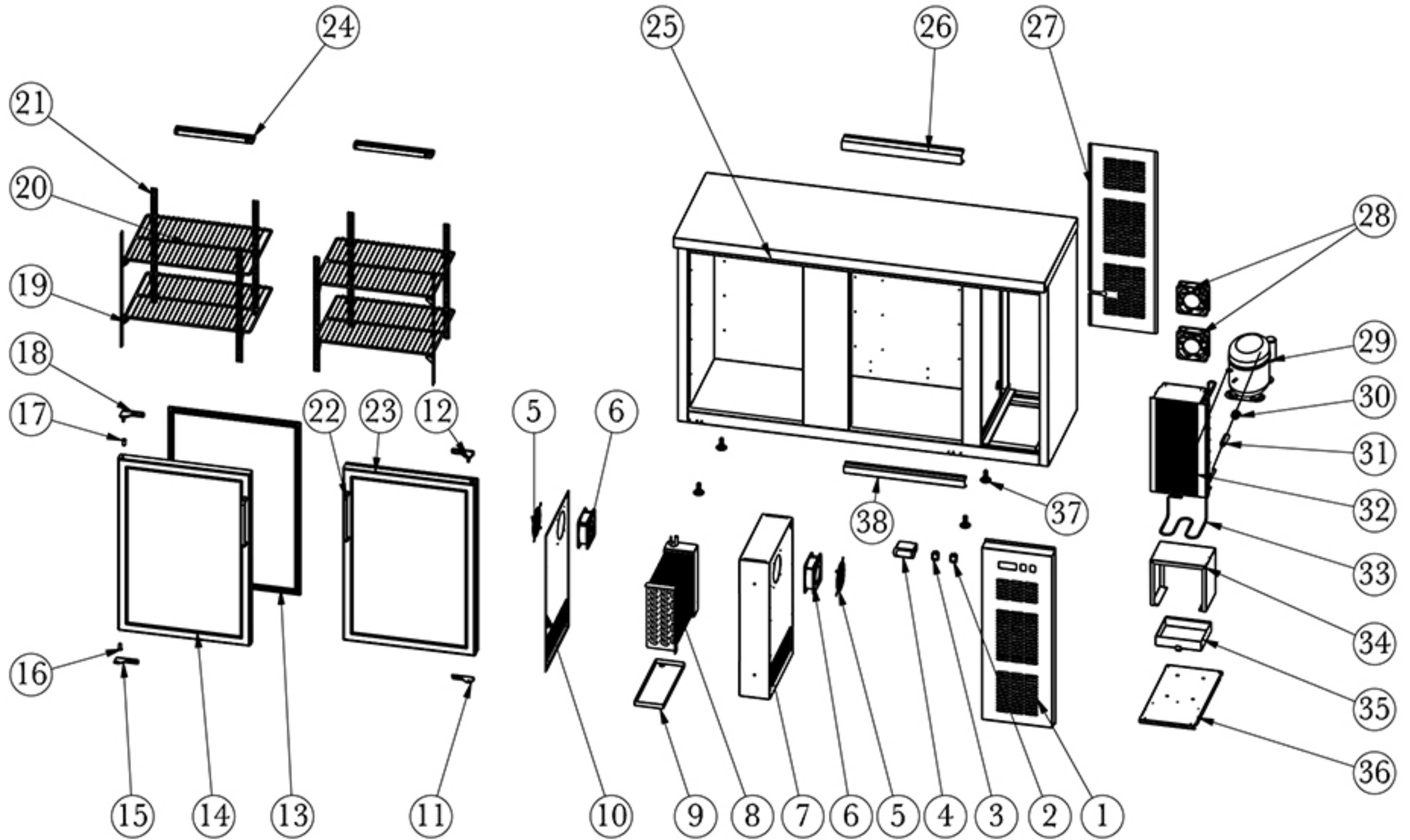


Top View



NEMA 5-15

58" Back Bar



SSGGB-58-SL

NO.	Part Name	Factory Part NO.	QTY
1	CONTROL PANNEL		1
2	POWER SWITCH	17749211297	1
3	LED LIGHT SWITCH	17749210020	1
4	THERMOSTAT	17505180005	1
5	FAN COVER	12504050115	2
6	EVAPORATOR FAN MOTOR	1003001114715	2
7	INSTALLATION FRAME		1
8	EVAPORATOR	17405100271	1
9	INNER DRAIN PAN		1
10	EVAPORATOR COVER		1
11	BOTTOM RIGHT HINGE		1
12	UPPER RIGHT HINGE		1
13	GASKET	16401750520	2
14	LEFT GLASS DOOR	14201010007	1
15	BOTTOM LEFT HINGE		1
16	BOTTOM AXIS COVER	16353010008	2
17	UPPER AXIS COVER	16353010008	2
18	UPPER LEFT HINGE		1
19	K CLIP	5302000003	16
20	SHELF	12502053647	4
21	K STRIP	5301000003	8
22	GLASS DOOR HANDLE	12526260021	2
23	RIGHT GLASS DOOR	14201010006	1
24	LED LIGHT	17741410059	2
25	CABINET		1
26	AIR PIPE COVER		1
27	BACK GRILL		1
28	CONDENSER FAN MOTOR	1003001114715	2
29	COMPRESSOR	17202163117	1
30	CAPILLIARY	15804042410	1
31	FILTER	17111250194	1
32	CONDENSER	17304110151	1
33	CONNECTING PIPE	15807070006	1
34	CONDENSER MOUNTING BRACKET		1
35	OUTER DRAIN PAN		1
36	COMPRESSOR INSTALLATION BOARD		1
37	LEVELING FEET	12534030002	4
38	WATER PIPE COVER		1

SGBBB-58-SL

NO.	Part Name	Factory Part NO.	QTY
1	CONTROL PANNEL		1
2	POWER SWITCH	17749211297	1
3	LED LIGHT SWITCH	17749210020	1
4	THERMOSTAT	17505180005	1
5	FAN COVER	12504050115	2
6	EVAPORATOR FAN MOTOR	1003001114715	2
7	INSTALLATION FRAME		1
8	EVAPORATOR	17405100271	1
9	INNER DRAIN PAN		1
10	EVAPORATOR COVER		1
11	BOTTOM RIGHT HINGE		1
12	UPPER RIGHT HINGE		1
13	GASKET	16401750520	2
14	LEFT GLASS DOOR	14201010007	1
15	BOTTOM LEFT HINGE		1
16	BOTTOM AXIS COVER	16353010008	2
17	UPPER AXIS COVER	16353010008	2
18	UPPER LEFT HINGE		1
19	K CLIP	5302000003	16
20	SHELF	12502053647	4
21	K STRIP	5301000003	8
22	GLASS DOOR HANDLE	12526260021	2
23	RIGHT GLASS DOOR	14201010006	1
24	LED LIGHT	17741410059	2
25	CABINET		1
26	AIR PIPE COVER		1
27	BACK GRILL		1
28	CONDENSER FAN MOTOR	1003001114715	2
29	COMPRESSOR	17202163117	1
30	CAPILLIARY	15804042410	1
31	FILTER	17111250194	1
32	CONDENSER	17304110151	1
33	CONNECTING PIPE	15807070006	1
34	CONDENSER MOUNTING BRACKET		1
35	OUTER DRAIN PAN		1
36	COMPRESSOR INSTALLATION BOARD		1
37	LEVELING FEET	12534030002	4
38	WATER PIPE COVER		1

SSBB-58-SL

NO.	Part Name	Factory Part NO.	QTY
1	CONTROL PANNEL		1
2	POWER SWITCH	17749211297	1
3	LED LIGHT SWITCH	17749210020	1
4	THERMOSTAT	17505180005	1
5	FAN COVER	12504050115	2
6	EVAPORATOR FAN MOTOR	1003001114715	2
7	INSTALLATION FRAME		1
8	EVAPORATOR	17405100271	1
9	INNER DRAIN PAN		1
10	EVAPORATOR COVER		1
11	BOTTOM RIGHT HINGE		1
12	UPPER RIGHT HINGE		1
13	GASKET	16401750520	2
14	LEFT DOOR		1
15	BOTTOM LEFT HINGE		1
16	BOTTOM AXIS COVER	16353010008	2
17	UPPER AXIS COVER	16353010008	2
18	UPPER LEFT HINGE		1
19	K CLIP	5302000003	16
20	SHELF	12502053647	4
21	K STRIP	5301000003	8
22	GLASS DOOR HANDLE	12526260021	2
23	RIGHT DOOR		1
24	LED LIGHT	17741410059	2
25	CABINET		1
26	AIR PIPE COVER		1
27	BACK GRILL		1
28	CONDENSER FAN MOTOR	1003001114715	2
29	COMPRESSOR	17202163117	1
30	CAPILLIARY	15804042410	1
31	FILTER	17111250194	1
32	CONDENSER	17304110151	1
33	CONNECTING PIPE	15807070006	1
34	CONDENSER MOUNTING BRACKET		1
35	OUTER DRAIN PAN		1
36	COMPRESSOR INSTALLATION BOARD		1
37	LEVELING FEET	12534030002	4
38	WATER PIPE COVER		1

NO.	Part Name	Factory Part NO.	QTY
1	CONTROL PANNEL		1
2	POWER SWITCH	17749211297	1
3	LED LIGHT SWITCH	17749210020	1
4	THERMOSTAT	17505180005	1
5	FAN COVER	12504050115	2
6	EVAPORATOR FAN MOTOR	1003001114715	2
7	INSTALLATION FRAME		1
8	EVAPORATOR	17405100271	1
9	INNER DRAIN PAN		1
10	EVAPORATOR COVER		1
11	BOTTOM RIGHT HINGE		1
12	UPPER RIGHT HINGE		1
13	GASKET	16401750520	2
14	LEFT DOOR		1
15	BOTTOM LEFT HINGE		1
16	BOTTOM AXIS COVER	16353010008	2
17	UPPER AXIS COVER	16353010008	2
18	UPPER LEFT HINGE		1
19	K CLIP	5302000003	16
20	SHELF	12502053647	4
21	K STRIP	5301000003	8
22	GLASS DOOR HANDLE	12526260021	2
23	RIGHT DOOR		1
24	LED LIGHT	17741410059	2
25	CABINET		1
26	AIR PIPE COVER		1
27	BACK GRILL		1
28	CONDENSER FAN MOTOR	1003001114715	2
29	COMPRESSOR	17202163117	1
30	CAPILLIARY	15804042410	1
31	FILTER	17111250194	1
32	CONDENSER	17304110151	1
33	CONNECTING PIPE	15807070006	1
34	CONDENSER MOUNTING BRACKET		1
35	OUTER DRAIN PAN		1
36	COMPRESSOR INSTALLATION BOARD		1
37	LEVELING FEET	12534030002	4
38	WATER PIPE COVER		1