

TECHNICAL DATA

Dimensions

| | |
|------------------------------|-----------------------|
| Exterior Dimensions (WxDxH) | 28.5" x 32" x 79" |
| Interior Dimensions (WxDxH) | 25" x 28" x 55" |
| Net Volume (cu. ft.) | 24 cu. ft. |
| Gross Weight | 361 lbs |
| Packaging Dimensions (WxDxH) | 30.25" x 34.25" x 85" |

Cooling

| | |
|------------------------------------|-------------|
| Temperature Range | 33° - 40° F |
| Refrigerant | R290 |
| Maximum Ambient Temperature Rating | 90° F |
| Defrosting | Automatic |
| Temperature Display | Yes |
| Temperature Controller | Mechanical |
| H/P | 1/3 |

Construction

| | |
|---------------------|------------------------------|
| Exterior Material | Painted steel |
| Door/Lid Material | Glass Door |
| Insulation Material | Foamed in place polyurethane |
| Shelf Material | Plastic coated steel |
| Shelf Load Capacity | 90 lbs |

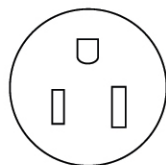
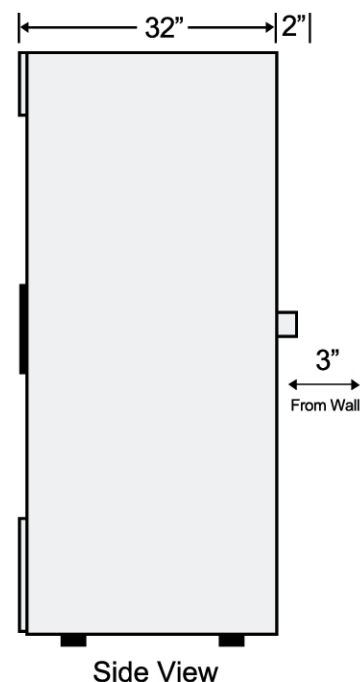
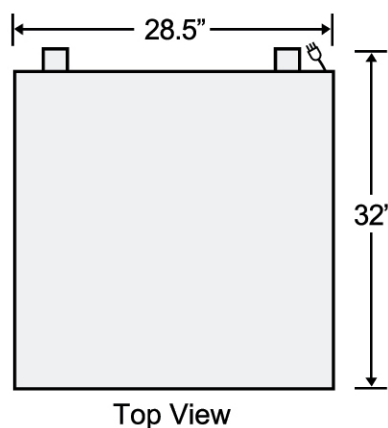
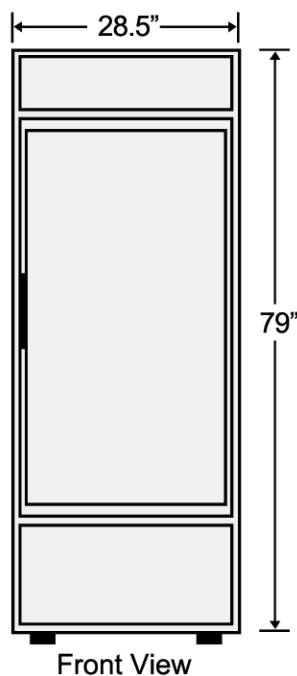
Electrical

| | |
|---------|-----|
| Voltage | 120 |
| Amps | 7.6 |
| Hz | 60 |
| Phase | 1 |

PLAN VIEW

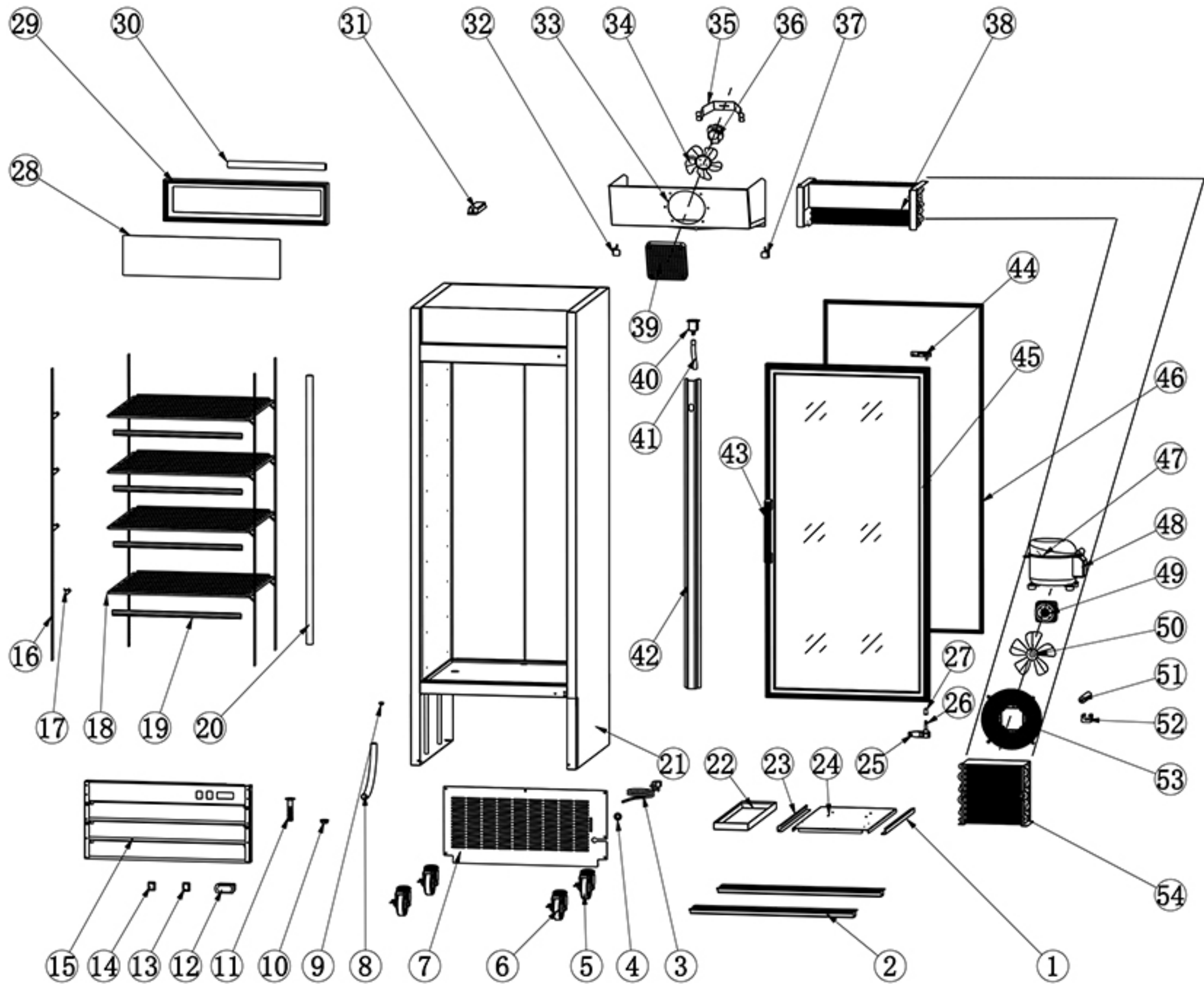


COMPLIES WITH ANSI/NSF 7 FOR FOOD SERVICE



NEMA 5-15

SGM-23RV



| NO. | Part Name | Factory Part NO. | QTY |
|-----|--|------------------|-----|
| 1 | RIGHT TRACK FOR INSTALLATION BOARD | | 1 |
| 2 | CASTOR SUPPORTER | | 2 |
| 3 | POWER CORD | 17664640051 | 1 |
| 4 | POWER CORD COVER | 16349150001 | 1 |
| 5 | 4' CASTER WITHOUT BREAK | 12533040420 | 2 |
| 6 | 4' CASTER WITH BREAK | 12533070420 | 2 |
| 7 | BACK GRILL | | 1 |
| 8 | OUTER DRAIN TUBE | 15818180020 | 1 |
| 9 | DRAIN PLUG | 16369260001 | 1 |
| 10 | DRAIN TUBE FIXER | 15810020900 | 1 |
| 11 | PLASTIC DRAIN PIPE | 15810020900 | 1 |
| 12 | THERMOSTAT | 17505180005 | 1 |
| 13 | LED SWITCH | 17749180002 | 1 |
| 14 | POWER SWITCH | 17749211297 | 1 |
| 15 | FRONT GRILLE | | 1 |
| 16 | K STRIP | | 4 |
| 17 | K CLIP | 5302000003 | 16 |
| 18 | SHELF | 12502115961 | 4 |
| 19 | SHELF TAG | 16311010580 | 4 |
| 20 | LED LIGHT | 17740410071 | 1 |
| 21 | CABINET | | 1 |
| 22 | OUTER DRAIN PAN | 16369690076 | 1 |
| 23 | LEFT TRACK FOR INSTALLATION BOARD | | 1 |
| 24 | COMPRESSOR UNIT INSTALLATION BOARD | | 1 |
| 25 | BOTTOM HINGE | 12517060309 | 1 |
| 26 | HINGE AXIS | 12515030003 | 1 |
| 27 | AXIS COVER | 16353010017 | 2 |
| 28 | LIGHT BOX PLATE | 16317170702 | 1 |
| 29 | LIGHT BOX FRAME | 12901177710 | 1 |
| 30 | LED IN LIGHT BOX | 17740410073 | 1 |
| 31 | LED POWER SUPPLY | 22753530009 | 4 |
| 32 | LEFT BRACKET FOR EVAPORATOR FAN COVER | | 1 |
| 33 | EVAPORATOR COVER | | 1 |
| 34 | EVAPORATOR FAN MOTOR BLADE | 16381738012 | 1 |
| 35 | EVAPORATOR FAN MOTOR BRACKET | 22719190001 | 1 |
| 36 | EVAPORATOR FAN MOTOR | 22752520015 | 1 |
| 37 | RIGHT BRACKET FOR EVAPORATOR FAN COVER | | 1 |
| 38 | EVAPORATOR | 17404070461 | 1 |
| 39 | EVAPORATOR FAN COVER | 12504050002 | 1 |
| 40 | INNER DRAIN TUBE CONNECTOR | 16369330055 | 1 |
| 41 | OUTER DRAIN TUBE | 15818180013 | 1 |

| | | | |
|----|---------------------------|-------------|---|
| 42 | AIR PIPE PROTECTION BOARD | | 1 |
| 43 | GLASS DOOR HANDLE | 12526260024 | 1 |
| 44 | UPPER HINGE | 12517050004 | 1 |
| 45 | GLASS DOOR | 14201711445 | 1 |
| 46 | GASKET | 16401000024 | 1 |
| 47 | COMPRESSOR | 17202163117 | 1 |
| 48 | COMPRESSOR COMPONENT | | 1 |
| 49 | CONDENSER FAN MOTOR | 22752520004 | 1 |
| 50 | CONDENSER FAN MOTOR BLADE | 16381738112 | 1 |
| 51 | FILTER | 17111250198 | 1 |
| 52 | FILTER FIXER | 16369690257 | 1 |
| 53 | CONDENSER FAN MOTOR COVER | | 1 |
| 54 | CONDENSER | 17303100261 | 1 |