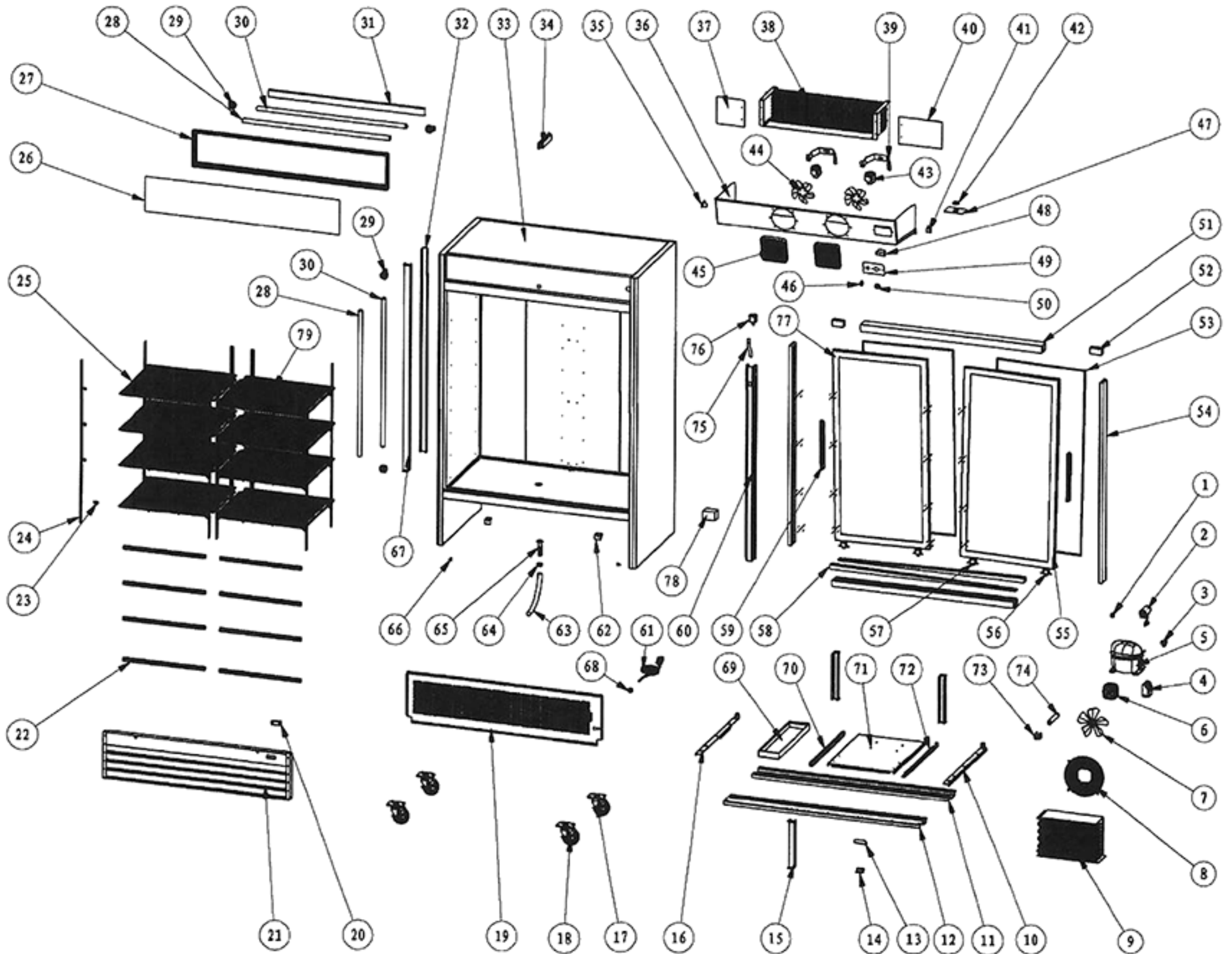


# SGM-53R



<b>Part #</b>	<b>Part Name</b>	<b>Part Qty</b>
1	Overload Protector	1
2	Start Capacitor	1
3	Starter	1
4	Splice Box	1
5	Compressor (T6213Z)	1
6	Condenser Fan Motor	1
7	Condenser Fan Blade	1
8	Condenser Fan Cover	1
9	Condenser	1
10	Right Connecting Board For Caster	1
11	Back Caster Supporter	1
12	Front Caster Supporter	1
13	Compressor Installation Board Handle	1
14	Installation Board Limited Block	1
15	Support Rod	1
16	Left Connecting Board For Caster	1
17	Caster Without Brake (Baseplate)	1
18	Caster With Brake (Baseplate)	1
19	Back Grill	1
20	Fahrenheit Temp Display	1
21	Front Grill	1
22	Shelf Tag	8
23	K Clip	32
24	K Strip (8 Holes)	8
25	Shelf (Left)	8
26	Lamp Box Plate	1
27	Lamp Box Frame	1
28	Lamp Cover (36W)	2
29	Lamp Socket	4
30	Lamp (36W)	2
31	Outer Lamp Installation Board	1
32	Inner Lamp Installation Board Cover	1
33	Cabinet	1
34	Ballast	1
35	Left Bracket For Evaporation Fan Cover	1
36	Evaporator Fan Cover	1
37	Left Bracket For Evaporator	1

38	Evaporator	1
39	Evaporator Fan Motor Bracket	2
40	Right Bracket For Evaporator Fan	1
41	Right Bracket For Evaporator Fan Cover	1
42	Wire Protection Plate Cover	1
43	Evaporator Fan Motor	2
44	Evaporator Fan Blade	2
45	Evaporator Fan Motor Cover	2
46	Power Switch	1
47	Wire Protection Plate	1
48	Mechanical Controller	1
49	Controller Plate	1
50	Controller Knob	1
51	Upper/Bottom Cabinet Frame	2
52	Sliding Door Limited Block	2
53	Door Gasket	2
54	Left/Right Cabinet Frame	2
55	Sliding Glass Door (Right)	1
56	Bigger Wheel For Door	2
57	Smaller Wheel For Door	2
58	Door Track	2
59	Door Handle	2
60	Back Plate	1
61	Power Cord	1
62	Front Grill Fixer	1
63	Drain Tube (φ20mm)	1
64	Drain Tube Fixer	1
65	Drain Pipe	1
66	Frontal Grill Holding	2
67	Inner Lamp Installation Board	1
68	Power Cord Cover	1
69	Outer Drain Pan	1
70	Left Track For Installation Board	1
71	Compressor Unit Installation Board	1
72	Right Track For Installation Board	1
73	Filter Fixer	1
74	Filter	1
75	Drain Tube (φ20mm)	1

76	Drain Connector	1
77	Sliding Glass Door (Left)	1
78	Transformer For Fahrenheit Temp Display	1
79	Shelf (Right)	1



# TECHNICAL DATA

## Dimensions

Exterior Dimensions (WxDxH)	53" x 32" x 83.75"
Interior Dimensions (WxDxH)	49" x 25.5" x 54"
Net Volume (cu. ft.)	47 cu. ft.
Gross Weight	440 lbs
Packaging Dimensions (WxDxH)	54.5" x 33" x 84.5"

## Cooling

Temperature Range	33° - 40° F
Refrigerant	R290
Maximum Ambient Temperature Rating	90° F
Defrosting	Automatic
Temperature Display	Yes
Temperature Controller	Mechanical
H/P	1/2

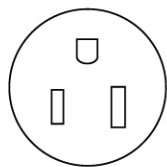
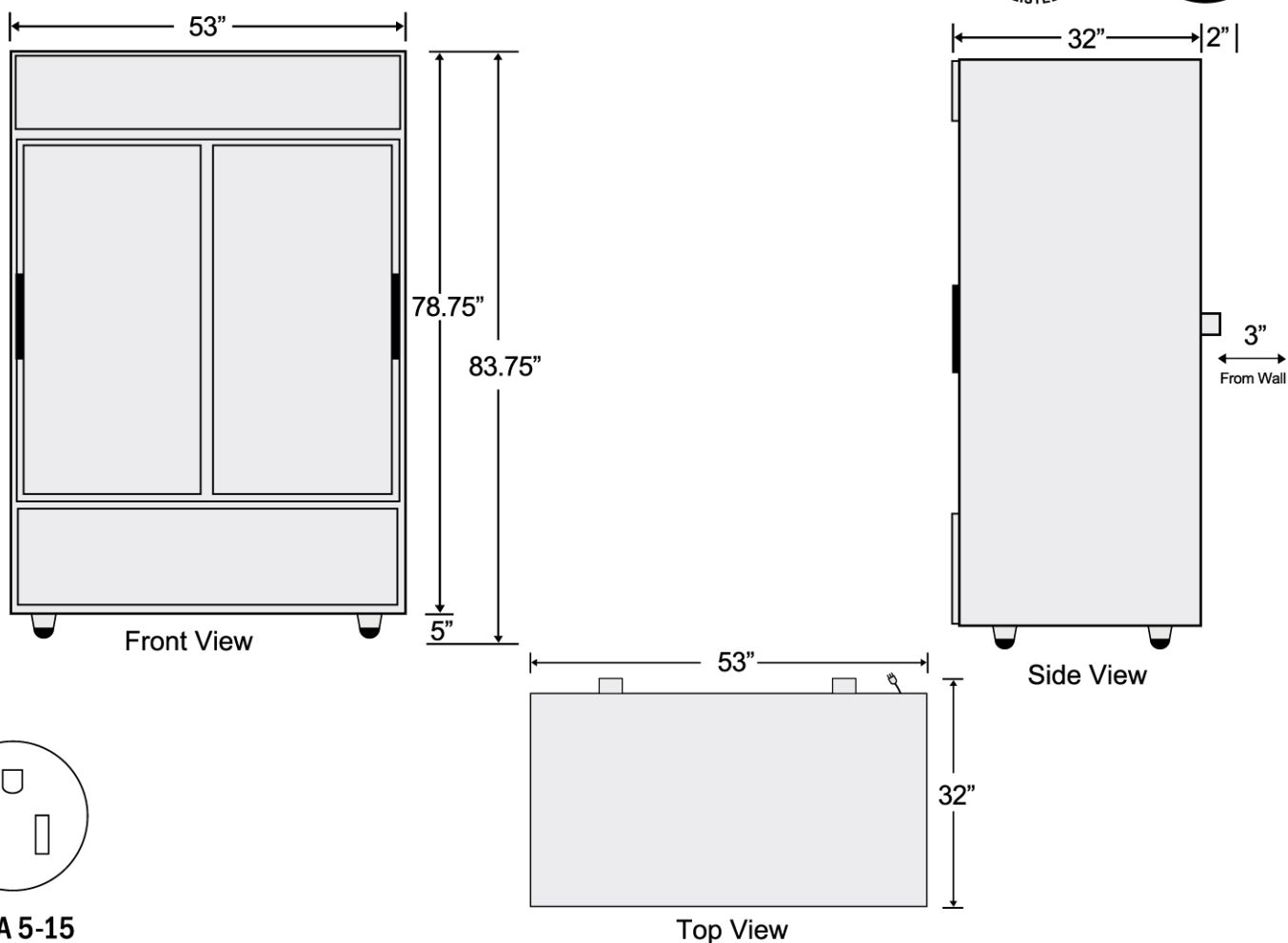
## Construction

Exterior Material	Painted steel
Door/Lid Material	Glass Door
Insulation Material	Foamed in place polyurethane
Shelf Material	Plastic coated steel
Shelf Load Capacity	90 lbs

## Electrical

Voltage	120
Amps	11.2
Hz	60
Phase	1

## PLAN VIEW



NEMA 5-15