

# TECHNICAL DATA

## Dimensions

Exterior Dimensions (WxDxH)	78.3" x 30" x 80.7"
Interior Dimensions (WxDxH)	73.7" x 25.6" x 49"
Net Volume (cu. ft.)	69 cu. ft.
Gross Weight	615 lbs
Packaging Dimensions (WxDxH)	80.5" x 32" x 87"

## Cooling

Temperature Range	33° - 40° F
Refrigerant	R290
Maximum Ambient Temperature Rating	90° F
Defrosting	Automatic
Temperature Display	No
Temperature Controller	Mechanical
H/P	1/2

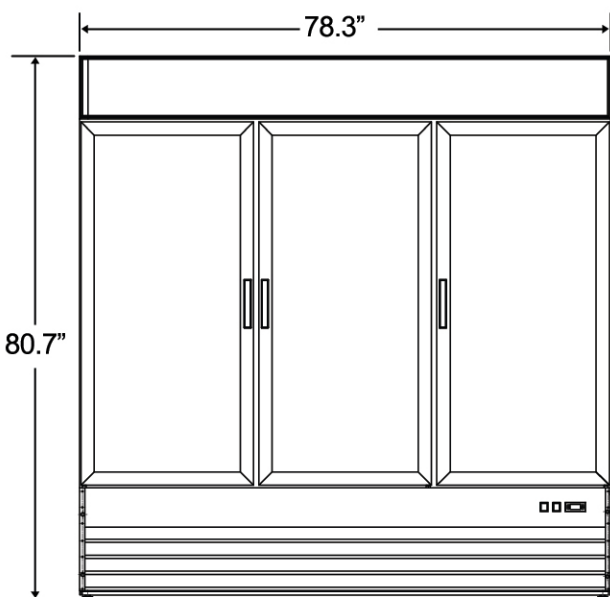
## Construction

Exterior Material	Painted steel
Door/Lid Material	Glass Door
Insulation Material	Foamed in place polyurethane
Shelf Material	Plastic coated steel
Shelf Load Capacity	90 lbs

## Electrical

Voltage	120
Amps	13.1
Hz	60
Phase	1

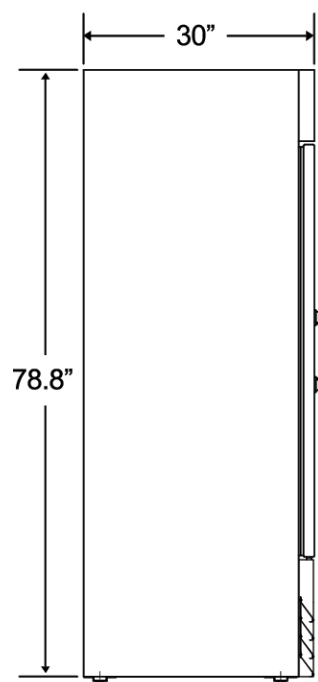
## PLAN VIEW



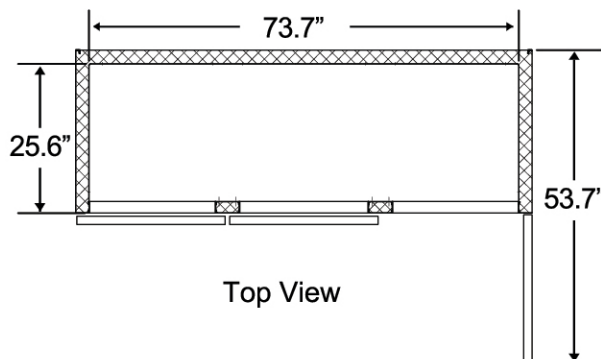
Front View



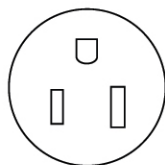
COMPLIES WITH ANSI/NSF 7  
FOR FOOD SERVICE



Side View

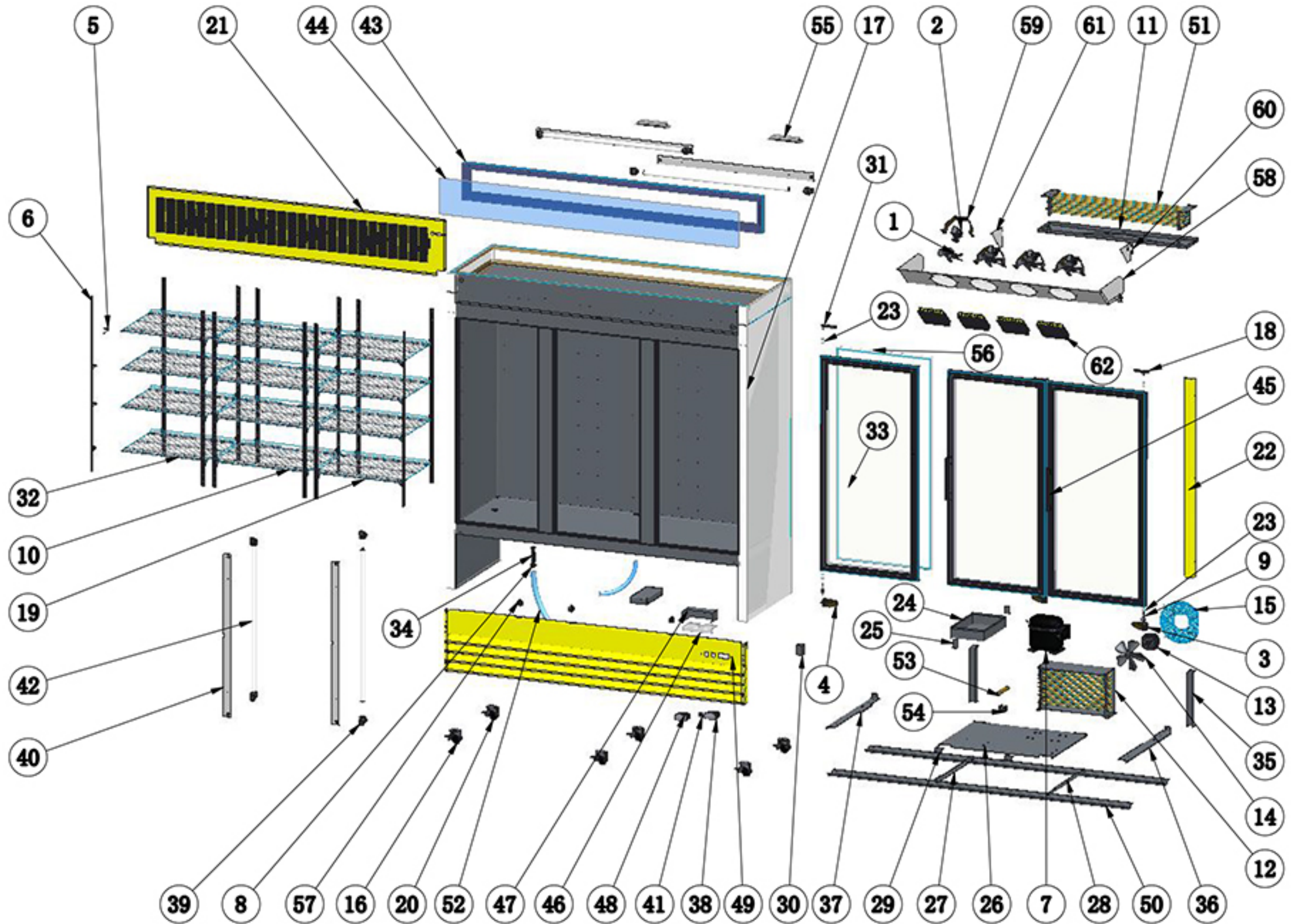


Top View



NEMA 5-15

# SGM-72RS



NO.	Part Name	Factory Part NO.	QTY
1	EVAPORATOR FAN BLADE	16381738012	4
2	EVAPORATOR FAN MOTOR	22752520015	4
3	RIGHT BOTTOM HINGE	12517060308	3
4	LEFT BOTTOM HINGE	12517210001	1
5	K CLIP(8 holes )	5302000003	48
6	K STRIP		12
7	COMPRESSOR(T6217Z)	17202166216	1
8	DRAIN PIPE PLUG	16369260001	1
9	BOTTOM HINGE AXIS	12515030004	3
10	MIDDLE SHELF	12502135865	4
11	INNER DRAIN PAN		1
12	CONDENSER(4R11K400L)	17304100262	1
13	CONDENSER FAN MOTOR(M4Q045 CF07-04)	22752520022	1
14	CONDENSER FAN MOTOR BLADE(254 V28)	16381738142	1
15	CONDENSER FAN MOTOR COVER		1
16	FRONT CASTER WITH BRAKE	12533070420	3
17	CABINET		1
18	RIGHT UPPER HINGE	12517210001	2
19	RIGHT SHELF	12502125859	4
20	BACK CASTER WITHOUR BRAKE	12533040420	3
21	BACK GRILL		1
22	AIR PIPE PROTECTION BOARD		1
23	PLASTIC AXIS COVER	16353010017	6
24	OUTER DRAIN PAN		1
25	OUTER DRAIN PAN FIXER		2
26	INSTALLATION BOARD		1
27	RIGHT TRACK FOR INSTALLATION BOARD		1
28	LEFT TRACK FOR INSTALLATION BOARD		1
29	INSTALLATION BOARD LIMITED BLOCK		2
30	HANDLE FOR INSTALLATION BOARD		1
31	LEFT UPPER HINGE	12517210001	1
32	LEFT SHELF	12502125859	4
33	LEFT GLASS DOOR	14201641364	1
34	PLASTIC DRAIN HOSE	15810020900	1
35	SUPPORTING BOARD		2
36	RIGHT CONNECTING BOARD FOR CASTER		1
37	LEFT CONNECTING BOARD FOR CASTER		1
38	THERMOSTAT	17505180005	1
39	FIXER FOR INNER LED LIGHT		8
40	LED INSIDE CABINET	17740410074	2
41	LED SWITCH	17749180002	1

42	LED INSIDE LIGHT BOX	17740410071	4
43	LIGHT BOX FRAME	12901231986	1
44	LIGHT BOX PLATE	16317221981	1
45	GLASS DOOR HANDLE	12526260024	2
46	THERMOSTAT INSTALLATION PLATE		1
47	WATERPROOF COVER FOR THERMOSTAT		1
48	POWER SWITCH	17749211297	1
49	FRONT GRILL		1
50	CASTER SUPPORTER		2
51	EVAPORATOR	17405071050	1
52	DRAIN TUBE	15818180020	2
53	FILTER	17111250198	1
54	FILTER FIXER	16369690257	1
55	LED POWER SUPPLY	22753530010	2
56	GASKET	16401000019	3
57	DOOR SWITCH	17749020001	3
58	EVAPORATOR COVER		1
59	EVAPORATOR FAN FIXER	22719190001	4
60	RIGHT BAFFLE FOR EVAP. FAN MOTOR		1
61	LEFT BAFFLE FOR EVAP. FAN MOTOR		1
62	EVAPORATOR FAN COVER	12504050002	4