

<b>Part #</b>	<b>Part Name</b>	<b>Part Qty</b>
1	Cabinet	1
2	Top Component	1
3	Control Panel	1
4	Door (Middle And Right)	2
5	Gasket	2
6	Hinge Axis	3
7	Spring Hinge	3
8	Bottom Right Hinge	2
9	Upper Right Hinge	2
10	Door (Left)	1
11	Gasket	1
12	Bottom Left Hinge	1
13	Upper Left Hinge	1
14	Stand Off Bracket	2
15	Fixer For Cutting Board	2
16	Cutting Board	1
17	Bracket For Pan	2
18	Inner Drain Pan	1
19	Power Switch	1
20	Thermostat	1
21	Left Hinge For The Lid	2
22	Right Hinge For The Lid	2
23	Lid	2
24	Lid Hinge Axis	4
25	Evaporator	1
26	Left Support Of Evaporator Cover	1
27	Right Support Of Evaporator Cover	1
28	Upper Support Of Evaporator Cover	1
29	Bottom Support Of Evaporator Cover	1
30	Evaporation Fan Cover	1
31	Evaporation Fan Motor	2
32	Inner Grill	2
33	Pan Bracket -25mm Wide	11
34	Pan Bracket -15mm Wide	2
35	K Strip – 3 Holes	2
36	K Strip – 4 Holes	10
37	K Strip – 4 Holes	12

38	Shelf	3
39	Evaporator Fan Motor Cover	2
40	Castor Support	2
41	Left Track For Compressor Installation Board	1
42	Right Track For Compressor Installation Board	1
43	Compressor Unit Installation Board	1
44	Condenser	1
45	Condenser Fan Motor	1
46	Condenser Fan Motor Blade	1
47	Condenser Fan Motor Cover	1
48	Filter Fixer	1
49	Filter	1
50	Outer Drain Pan	1
51	Air Shield Board	1
52	Compressor (6213)	1
53	Splice Box	1
54	Start Capacitor	1
55	Overload Protector	1
56	Starter	1
57	4" Castor With Brake	3
58	4" Castor	3
59	Back Grill	1
60	Foaming Hole Cover	2
61	Drain Tube (φ16mm)	1
62	Power Cord	1
63	Temperature Sensor Of Cabinet Inside	1

# TECHNICAL DATA

## Dimensions

Exterior Dimensions (WxDxH)	92" x 31.5" x 43"
Interior Dimensions Top (WxDxH)	84.25" x 10" x 13"
Interior Dimensions Bottom (WxDxH)	69.5" x 27.5" x 23.75"
Cutting Board Dimensions (WxDxH)	91.5" x 19.5" x .79"
Net Volume (cu. ft.)	24 cu. ft.
Gross Weight	611 lbs
Packaging Dimensions (WxDxH)	96" x 36" x 47.5"

## Cooling

Temperature Range	33° - 40° F
Refrigerant	R290
Maximum Ambient Temperature Rating	90° F
Defrosting	Automatic
Temperature Display	Yes
Temperature Controller	Digital
H/P	1/2

## Construction

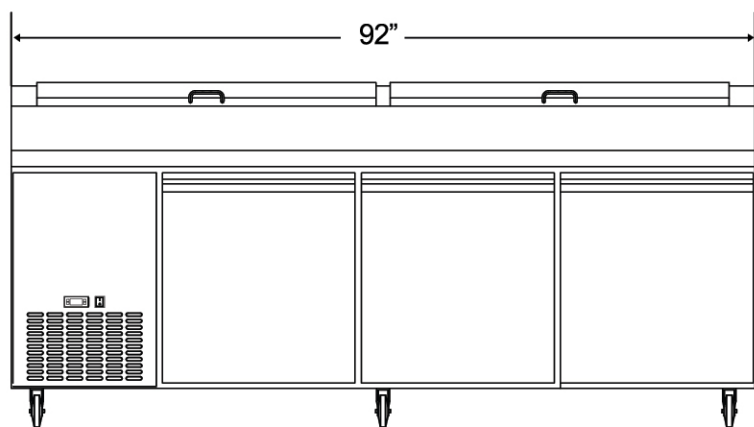
Exterior Material	430 series stainless steel
Interior Material	304 series stainless steel
Insulation Material	Foamed in place polyurethane
Shelf Material	Plastic coated steel
Shelf Load Capacity	90 lbs

\*Does not include pans

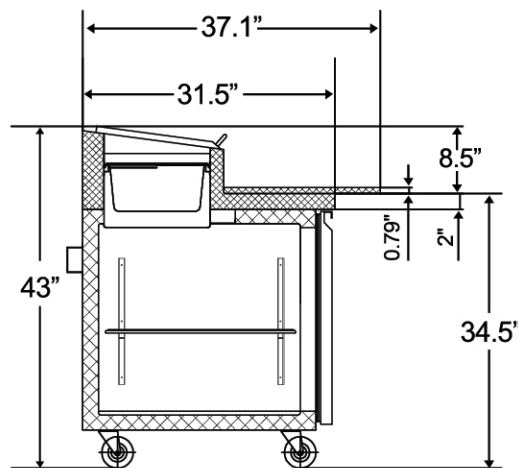
## Electrical

Voltage	115
Amps	11.1
Hz	60
Phase	1

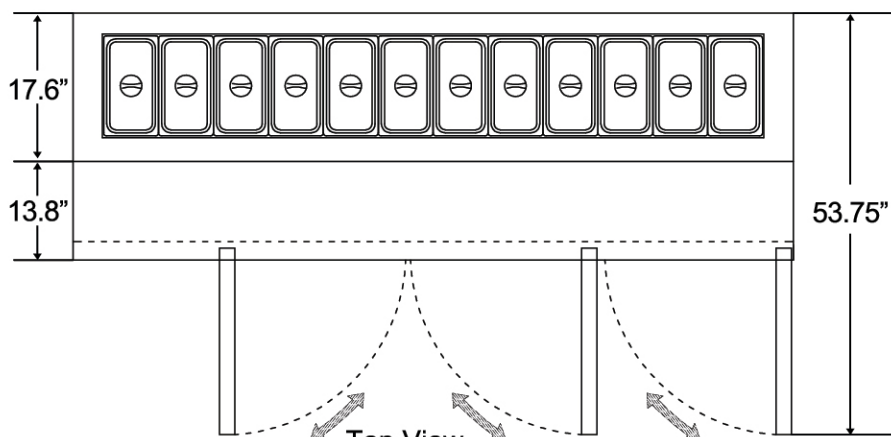
## PLAN VIEW



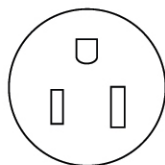
Front View



Side View



Top View



NEMA 5-15