

TECHNICAL DATA

Dimensions

Exterior Dimensions (WxDxH)	92" x 31.5" x 43"
Interior Dimensions Top (WxDxH)	84.25" x 10" x 13"
Interior Dimensions Bottom (WxDxH)	69.5" x 27.5" x 23.75"
Cutting Board Dimensions (WxDxH)	91.5" x 19.5" x .79"
Net Volume (cu. ft.)	24 cu. ft.
Gross Weight	611 lbs
Packaging Dimensions (WxDxH)	96" x 36" x 47.5"

Cooling

Temperature Range	33° - 40° F
Refrigerant	R290
Maximum Ambient Temperature Rating	90° F
Defrosting	Automatic
Temperature Display	Yes
Temperature Controller	Digital
H/P	1/2

Construction

Exterior Material	430 series stainless steel
Interior Material	304 series stainless steel
Insulation Material	Foamed in place polyurethane
Shelf Material	Plastic coated steel
Shelf Load Capacity	90 lbs

*Does not include pans

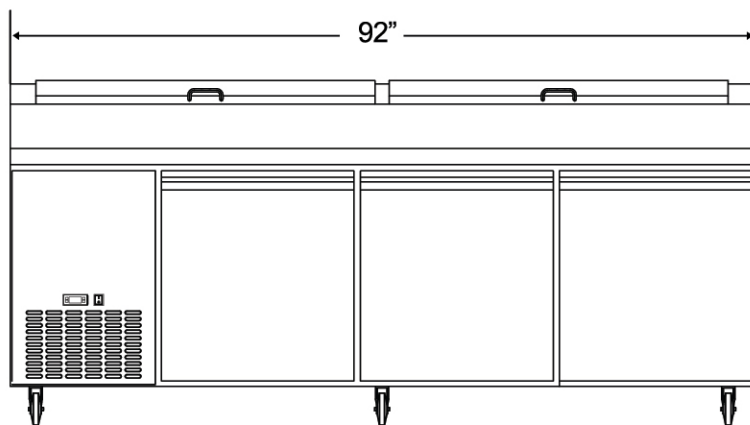
Electrical

Voltage	115
Amps	11.1
Hz	60
Phase	1

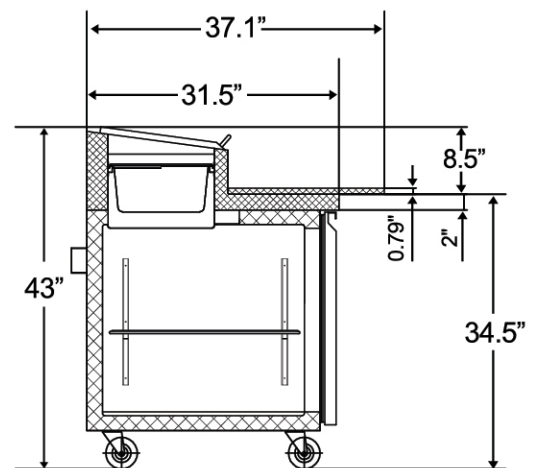
PLAN VIEW



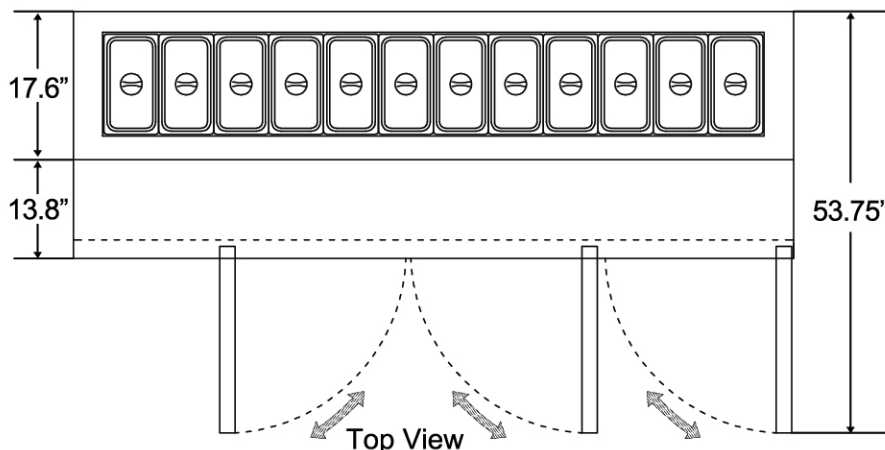
COMPLIES WITH ANSI/NSF 7 FOR FOOD SERVICE



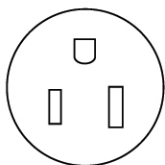
Front View



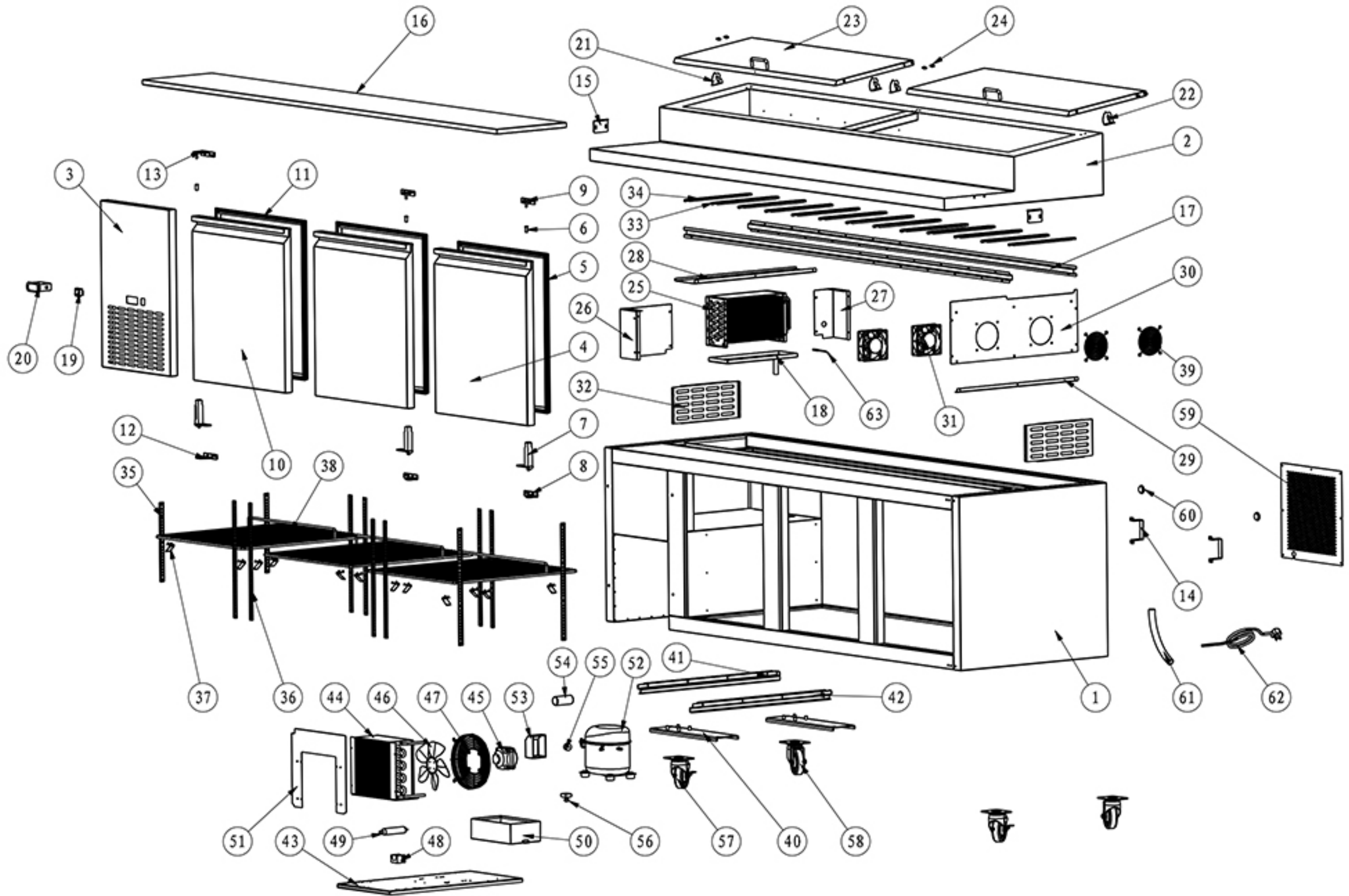
Side View



Top View



NEMA 5-15



NO.	Part Name	Factory Part NO.	QTY
1	CABINET		1
2	TOP RAIL		1
3	CONTROL PANEL		1
4	DOOR - MIDDLE AND RIGHT		2
5	GASKET	16401570638	2
6	AXIS COVER	16353010008	3
7	SPRING HINGE BOARD	12517010001	3
8	BOTTOM RIGHT HINGE	12517140005	2
9	UPPER RIGHT HINGE	12517140004	2
10	DOOR - LEFT		1
11	GASKET	16401570638	1
12	BOTTOM LEFT HINGE	12517140003	1
13	UPPER LEFT HINGE	12517140002	1
14	STAND OFF BRACKET		2
15	FIXER FOR CUTTING BOARD		2
16	CUTTING BOARD	16319204923	1
17	BRACKET FOR PAN		2
18	INNER DRAIN PAN		1
19	POWER SWITCH	17749211297	1
20	THERMOSTAT	17505110100	1
21	LEFT LID HINGE		2
22	RIGHT LID HINGE		2
23	LID		2
24	LID HINGE AXIS	12515010010	8
25	EVAPORATOR	17405070516	1
26	LEFT SUPPORT OF EVAPORATOR COVER		1
27	RIGHT SUPPORT OF EVAPORATOR COVER		1
28	UPPER SUPPORT OF EVAPORATOR COVER		1
29	BOTTOM SUPPORT OF EVAPORATOR COVER		1
30	EVAPORATOR COVER		1
31	EVAPORATOR FAN MOTOR	17701121752	2
32	GRILL FOR AIR FLOW		2
33	PAN BRACKET-25		11
34	PAN BRACKET-15		2
35	K STRIP-3 HOLES		2
36	K STRIP-4 HOLES		10
37	K CLIP		12
38	SHELF	12502115762	3
39	EVAPORATOR FAN COVER	22726010002	2
40	CASTOR SUPPORT		2
41	LEFT COMPRESSOR UNIT TRACK		1

42	RIGHT COMPRESSOR UNIT TRACK		1
43	COMPRESSOR UNIT INSTALLATION BOARD		1
44	CONDENSER	17303100261	1
45	CONDENSER FAN MOTOR	22752520008	1
46	BLADE OF CONDENSER FAN MOTOR	16381738122	1
47	CONDENSER FAN COVER	22726010003	1
48	FILTER FIXER	16369690257	1
49	FILTER	17111250198	1
50	OUTER DRAIN PAN	16316130008	1
51	AIR SHIELD BOARD		1
52	COMPRESSOR	17202100039	1
53	SPLICE BOX		1
54	START CAPACITOR		1
55	OVERLOAD PROTECTOR		1
56	STARTER		1
57	4" CASTOR WITH BRAKE	12533070420	2
58	4" CASTOR	12533040420	2
59	BACK GRILL		1
60	FOAMING HOLE COVER	16352020002	2
61	DRAIN HOSE	15809080016	1
62	POWER CORD	17664640051	1
63	TEMPERATURE SENSOR OF CABINET INSIDE	17649490013	1