

# TECHNICAL DATA

## Dimensions

|                                    |                      |
|------------------------------------|----------------------|
| Exterior Dimensions (WxDxH)        | 27.5" x 34" x 46.25" |
| Interior Dimensions Top (WxDxH)    | 24" x 21.5" x 8.5"   |
| Interior Dimensions Bottom (WxDxH) | 24" x 19.5" x 20"    |
| Cutting Board Dimensions (WxDxH)   | 27.5" x 8" x .75"    |
| Net Volume (cu. ft.)               | 5.75 cu. ft.         |
| Gross Weight                       | 198 lbs              |
| Packaging Dimensions (WxDxH)       | 32" x 38.5" x 49.5"  |
| Electrical Cord Length             | 84"                  |

## Cooling

|                                    |             |
|------------------------------------|-------------|
| Temperature Range                  | 33° - 40° F |
| Refrigerant                        | R290        |
| Maximum Ambient Temperature Rating | 90° F       |
| Defrosting                         | Automatic   |
| Temperature Display                | Yes         |
| Temperature Controller             | Digital     |
| H/P                                | 1/4         |

## Construction

|                     |                              |
|---------------------|------------------------------|
| Exterior Material   | 430 series stainless steel   |
| Interior Material   | 304 series stainless steel   |
| Insulation Material | Foamed in place polyurethane |
| Shelf Material      | Plastic coated steel         |
| Shelf Load Capacity | 90 lbs                       |

\*Does not include pans

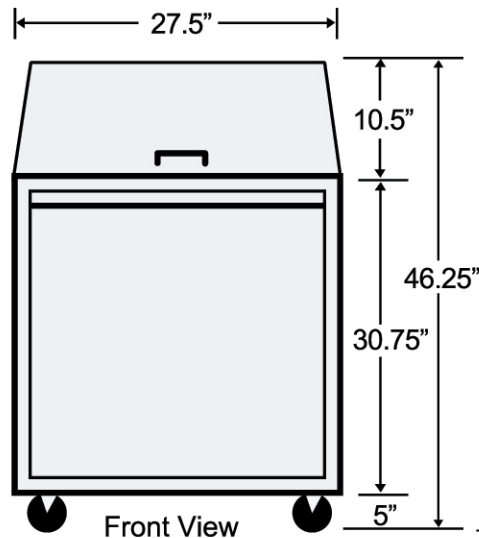
## Electrical

|         |     |
|---------|-----|
| Voltage | 120 |
| Amps    | 5.2 |
| Hz      | 60  |
| Phase   | 1   |

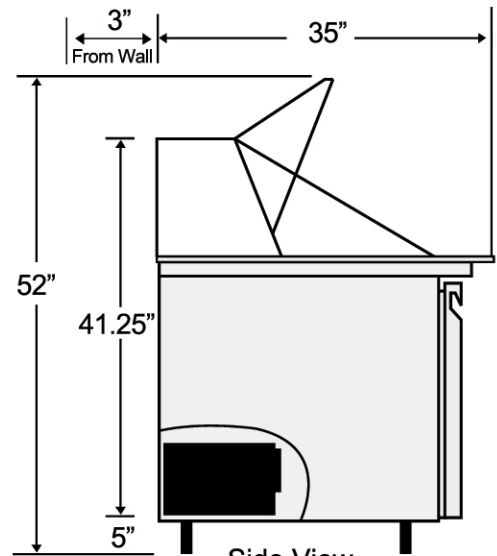
## PLAN VIEW



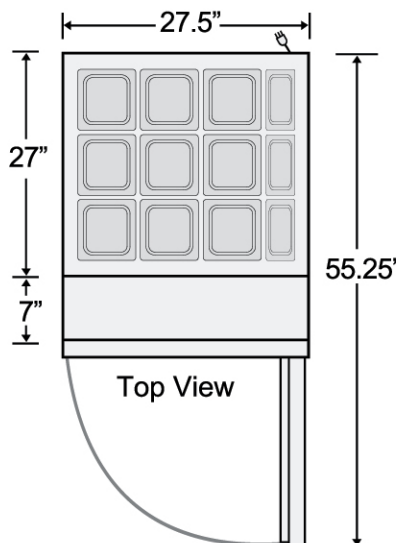
COMPLIES WITH ANSI/NSF 7 FOR FOOD SERVICE



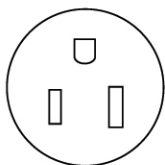
Front View



Side View

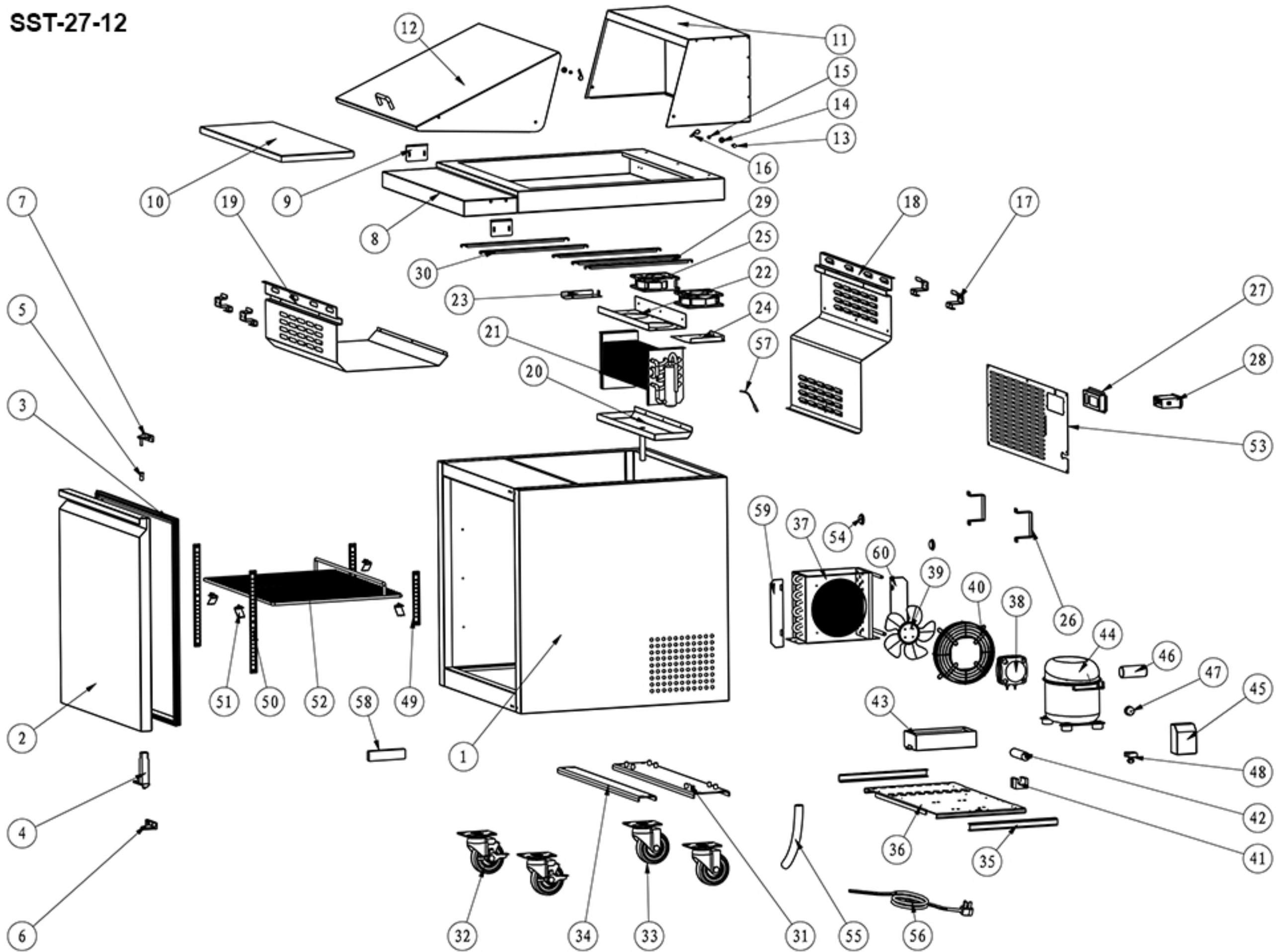


Top View



NEMA 5-15

# SST-27-12



| NO. | Part Name                          | Factory Part NO. | QTY |
|-----|------------------------------------|------------------|-----|
| 1   | CABINET                            |                  | 1   |
| 2   | DOOR                               |                  | 1   |
| 3   | GASKET                             | 16401635656      | 1   |
| 4   | SPRING HINGE BOARD                 | 12517010001      | 1   |
| 5   | AXIS COVER                         | 16353010008      | 1   |
| 6   | BOTTOM RIGHT HINGE                 | 12517140005      | 1   |
| 7   | UPPER RIGHT HINGE                  | 12517140004      | 1   |
| 8   | TOP BOARD                          |                  | 1   |
| 9   | FIXER FOR CUTTING BOARD            |                  | 2   |
| 10  | CUTTING BOARD                      | 16319202070      | 1   |
| 11  | BACK COVER                         |                  | 1   |
| 12  | LID                                |                  | 1   |
| 13  | DOWEL                              | 12515081543      | 2   |
| 14  | PLASTIC BOLT                       | 16349070009      | 2   |
| 15  | NUT                                | 12414010004      | 2   |
| 16  | SPLIT PIN                          | 12515060001      | 2   |
| 17  | AIR DUCT SUPPORT                   |                  | 4   |
| 18  | EVAPORATOR COVER                   |                  | 1   |
| 19  | AIR RETURN COVER                   |                  | 1   |
| 20  | INNER DRAIN PAN                    |                  | 1   |
| 21  | EVAPORATOR                         | 17405040384      | 1   |
| 22  | FAN MOTOR INSTALLATION PANEL       |                  | 1   |
| 23  | LEFT CLAPBOARD OF EVAPORATOR       |                  | 1   |
| 24  | RIGHT CLAPBOARD OF EVAPORATOR      |                  | 1   |
| 25  | EVAPORATOR FAN MOTOR               | 1003001114715    | 2   |
| 26  | STAND OFF BRACKET                  |                  | 2   |
| 27  | THERMOSTAT INSTALLATION BOARD      |                  | 1   |
| 28  | THERMOSTAT                         | 17505110100      | 1   |
| 29  | PAN BRACKET-15                     |                  | 2   |
| 30  | PAN BRACKET-25                     |                  | 3   |
| 31  | CASTOR SUPPORT                     |                  | 1   |
| 32  | 4" CASTOR WITH BRAKE               | 12533070420      | 2   |
| 33  | 4" CASTOR                          | 12533040420      | 2   |
| 34  | ASSEMBLING PANEL SUPPORT           |                  | 1   |
| 35  | COMPRESSOR UNIT TRACK              |                  | 2   |
| 36  | COMPRESSOR UNIT INSTALLATION BOARD |                  | 1   |
| 37  | CONDENSER                          | 17303080201      | 1   |
| 38  | CONDENSER FAN MOTOR                | 22752520003      | 1   |

|    |                                      |             |   |
|----|--------------------------------------|-------------|---|
| 39 | BLADE OF CONDENSER FAN MOTOR         | 16381738052 | 1 |
| 40 | CONDENSER FAN COVER                  | 22726010001 | 1 |
| 41 | FILTER FIXER                         | 16369690257 | 1 |
| 42 | FILTER                               | 17111250198 | 1 |
| 43 | OUTER DRAIN PAN                      | 16316130005 | 1 |
| 44 | COMPRESSOR                           | 17202100038 | 1 |
| 45 | SPLICE BOX                           |             | 1 |
| 46 | START CAPACITOR                      |             | 1 |
| 47 | OVERLOAD PROTECTOR                   |             | 1 |
| 48 | STARTER                              |             | 1 |
| 49 | K STRIP-2 HOLES                      |             | 2 |
| 50 | K STRIP-3 HOLES                      |             | 2 |
| 51 | K CLIP                               |             | 4 |
| 52 | SHELF                                | 12502434597 | 1 |
| 53 | BACK GRILL                           |             | 1 |
| 54 | FOAMING HOLE COVER                   | 16352020002 | 2 |
| 55 | DRAIN HOSE                           | 15809080016 | 1 |
| 56 | POWER CORD                           | 17664640051 | 1 |
| 57 | TEMPERATURE SENSOR OF CABINET INSIDE | 17649490013 | 1 |
| 58 | THERMOMETER                          | 17799990002 | 1 |
| 59 | CONDENSER_END_PLATE_LEFT             |             | 1 |
| 60 | CONDENSER_END_PLATE_RIGHT            |             | 1 |