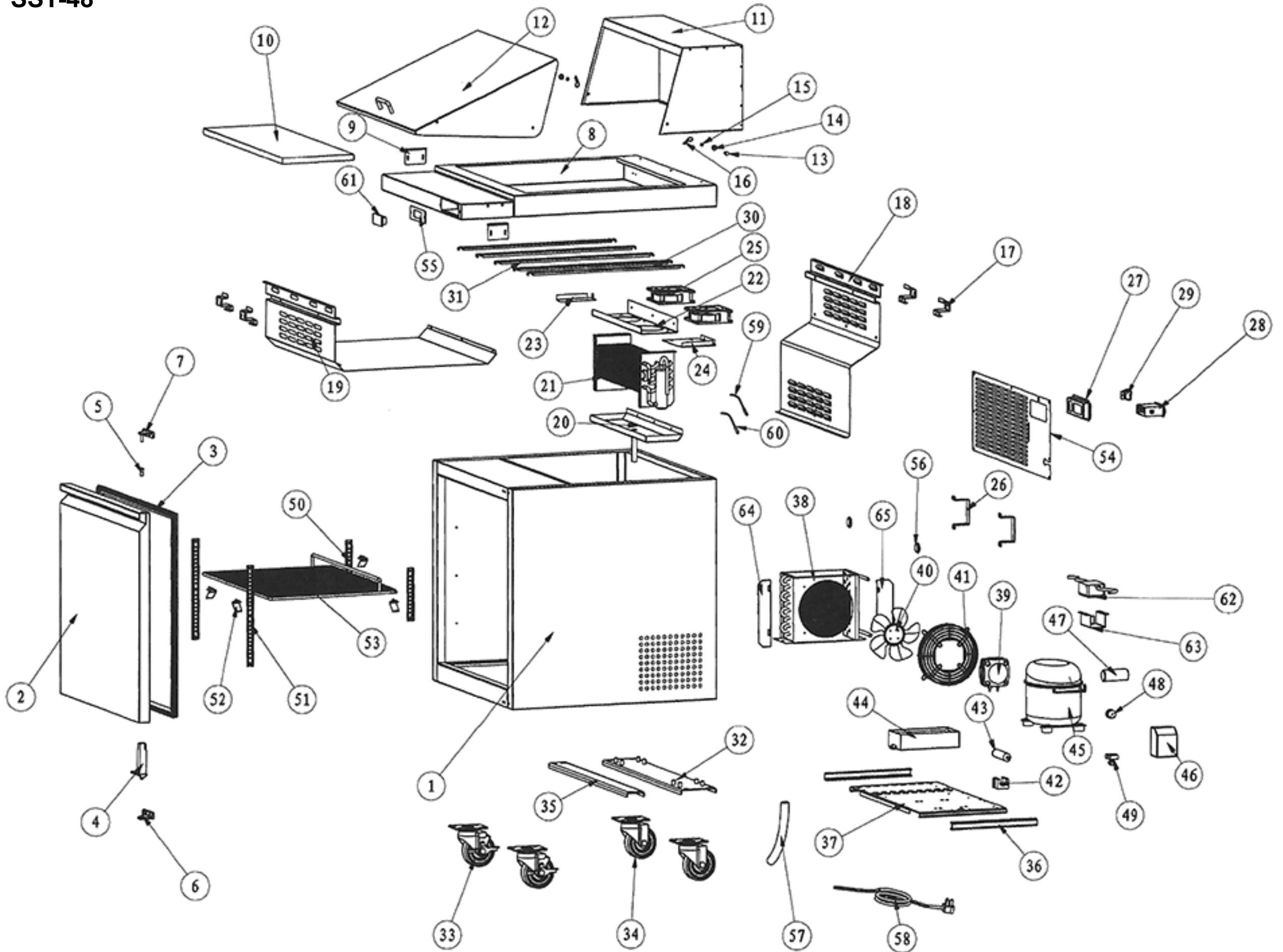


# SST-48



<b>Part #</b>	<b>Part Name</b>	<b>Part Qty</b>
1	Cabinet	1
2	Right Door	1
3	Gasket	2
4	Spring Hinge	2
5	Hinge Axis	4
6	Bottom Right Hinge	1
7	Upper Right Hinge	1
8	Left Door	1
9	Gasket	2
10	Bottom Left Hinge	1
11	Upper Left Hinge	1
12	Top Board	1
13	Fixer For Cutting Board	2
14	Cutting Board	1
15	Back Cover	1
16	Lid	1
17	Dowel	2
18	Plastic Bolt	2
19	Nut	2
20	Split Pin	2
21	Air Duct Support	4
22	Evaporator Cover	1
23	Air Return Cover	1
24	Inner Drain Pan	1
25	Evaporator	1
26	Fan Motor Installation Panel	1
27	Left Clapboard Of Evaporator	1
28	Right Clapboard Of Evaporator	1
29	Evaporator Fan Motor	2&3
30	Stand Off Bracket	2
31	Thermostat Installation Box	1
32	Thermostat	1
33	Power Switch	1
34	Pan Bracket – 25mm	5&6
35	Castor Support	1
36	4" Castor With Brake	2
37	4" Castor	2

38	Installation Board Support	1
39	Compressor Unit Track	2
40	Compressor Unit Installation Board	1
41	Condenser	1
42	Condenser Fan Motor	1
43	Condenser Fan Motor Blade	1
44	Condenser Fan Cover	1
45	Filter Fixer	1
46	Filter	1
47	Outer Drain Pan	1
48	Compressor	1
49	Splice Box	1
50	Start Capacitor	1
51	Overload Protector	1
52	Starter	1
53	K Strip -2 Holes	4
54	K Strip -3 Holes	4
55	K Clip	8
56	Shelf	2
57	Back Grill	1
58	Fahrenheit Temp Display Installation Board	1
59	Foaming Hole Cover	2
60	Drain Tube (φ16mm)	1
61	Power Cord	1
62	Temperature Sensor 1 (Thermostat)	1
63	Temperature Sensor 2 (Fahrenheit Temp Disp)	1
64	Fahrenheit Temp Display	1
65	Transformer For Fahrenheit Temp Display	1
66	Transformer Holder	1
67	Pan Bracket -15/90mm	2&1

# TECHNICAL DATA

## Dimensions

Exterior Dimensions (WxDxH)	46.75" x 29.5" x 42.5"
Interior Dimensions Top (WxDxH)	42.5" x 13.5" x 8.5"
Interior Dimensions Bottom (WxDxH)	42.75" x 19.5" x 24"
Cutting Board Dimensions (WxDxH)	46.5" x 10.5" x .75"
Net Volume (cu. ft.)	12 cu. ft.
Gross Weight	360 lbs
Packaging Dimensions (WxDxH)	51" x 34" x 46.5"
Electrical Cord Length	84"

## Cooling

Temperature Range	33° - 40° F
Refrigerant	R290
Maximum Ambient Temperature Rating	90° F
Defrosting	Automatic
Temperature Display	Yes
Temperature Controller	Digital
H/P	1/3

## Construction

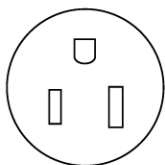
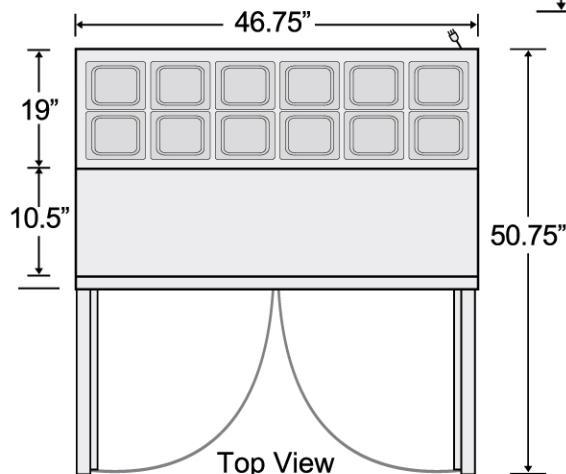
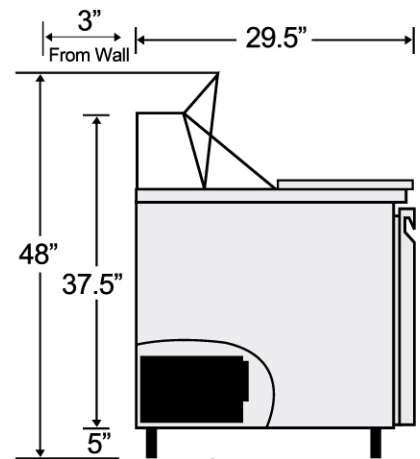
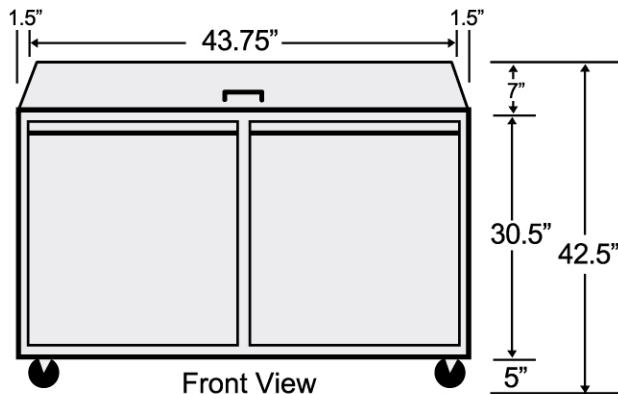
Exterior Material	430 series stainless steel
Interior Material	304 series stainless steel
Insulation Material	Foamed in place polyurethane
Shelf Material	Plastic coated steel
Shelf Load Capacity	90 lbs

\*Does not include pans

## Electrical

Voltage	120
Amps	6.5
Hz	60
Phase	1

## PLAN VIEW



NEMA 5-15