

TECHNICAL DATA

Dimensions

Exterior Dimensions (WxDxH)	46.75" x 29.5" x 42.5"
Interior Dimensions Top (WxDxH)	42.5" x 13.5" x 8.5"
Interior Dimensions Bottom (WxDxH)	42.75" x 19.5" x 24"
Cutting Board Dimensions (WxDxH)	46.5" x 10.5" x .75"
Net Volume (cu. ft.)	12 cu. ft.
Gross Weight	360 lbs
Packaging Dimensions (WxDxH)	51" x 34" x 46.5"
Electrical Cord Length	84"

Cooling

Temperature Range	33° - 40° F
Refrigerant	R290
Maximum Ambient Temperature Rating	90° F
Defrosting	Automatic
Temperature Display	Yes
Temperature Controller	Digital
H/P	1/3

Construction

Exterior Material	430 series stainless steel
Interior Material	304 series stainless steel
Insulation Material	Foamed in place polyurethane
Shelf Material	Plastic coated steel
Shelf Load Capacity	90 lbs

*Does not include pans

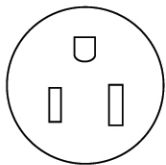
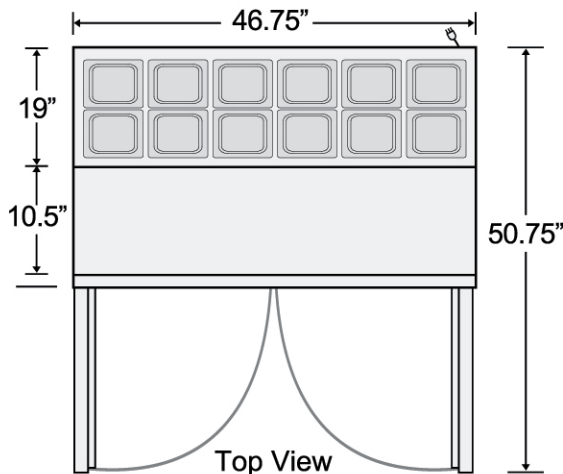
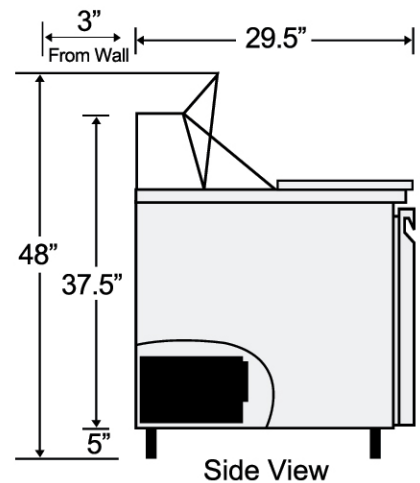
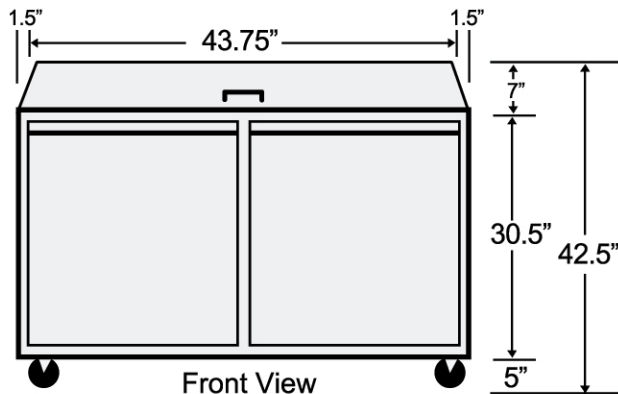
Electrical

Voltage	120
Amps	6.5
Hz	60
Phase	1

PLAN VIEW

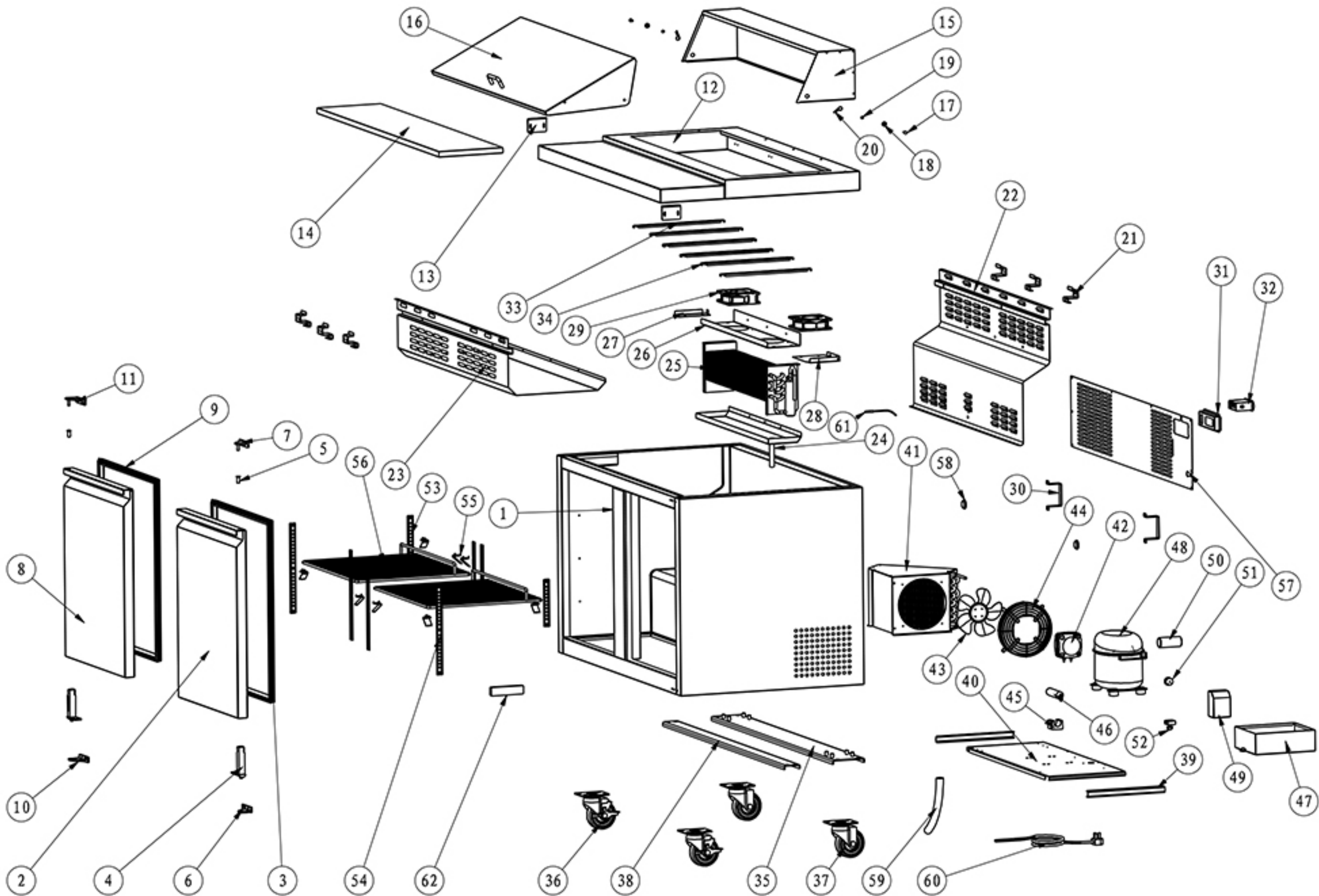


COMPLIES WITH ANSI/NSF 7 FOR FOOD SERVICE



NEMA 5-15

SST-48



NO.	Part Name	Factory Part NO.	QTY
1	CABINET		1
2	RIGHT DOOR		1
3	GASKET	16401547635	1
4	SPRING HINGE BOARD	12517010001	2
5	AXIS COVER	16353010008	2
6	BOTTOM RIGHT HINGE	12517140005	1
7	UPPER RIGHT HINGE	12517140004	1
8	LEFT DOOR		1
9	GASKET	16401547635	1
10	BOTTOM LEFT HINGE	12517140003	1
11	UPPER LEFT HINGE	12517140002	1
12	TOP BOARD		1
13	FIXER FOR CUTTING BOARD		2
14	CUTTING BOARD	16319202911	1
15	BACK COVER		1
16	LID		1
17	DOWEL	12515081543	2
18	PLASTIC BOLT	16349070009	2
19	NUT	12414010004	2
20	SPLIT PIN	12515060001	2
21	AIR DUCT SUPPORT		6
22	EVAPORATOR COVER		1
23	AIR RETURN COVER		1
24	INNER DRAIN PAN		1
25	EVAPORATOR	17405040594	1
26	FAN MOTOR INSTALLATION PANEL		1
27	LEFT CLAPBOARD OF EVAPORATOR		1
28	RIGHT CLAPBOARD OF EVAPORATOR		1
29	EVAPORATOR FAN MOTOR	1003001114715	2
30	STAND OFF BRACKET		2
31	THERMOSTAT INSTALLATION BOARD		1
32	THERMOSTAT	17505110100	1
33	PAN BRACKET-15		2
34	PAN BRACKET-25		5
35	CASTOR SUPPORT		1
36	4" CASTOR WITH BRAKE	12533070420	2
37	4" CASTOR	12533040420	2
38	ASSEMBLING PANEL SUPPORT		1
39	COMPRESSOR UNIT TRACK		2
40	COMPRESSOR UNIT INSTALLATION BOARD		1
41	CONDENSER	17304080271	1

42	CONDENSER FAN MOTOR	22752520008	1
43	BLADE OF CONDENSER FAN MOTOR	16381738052	1
44	CONDENSER FAN COVER	22726010001	1
45	FILTER FIXER	16369690257	1
46	FILTER	17111250198	1
47	OUTER DRAIN PAN	16316130008	1
48	COMPRESSOR	17202100039	1
49	SPLICE BOX		1
50	START CAPACITOR		1
51	OVERLOAD PROTECTOR		1
52	STARTER		1
53	K STRIP-2 HOLES		4
54	K STRIP-3 HOLES		4
55	K CLIP		8
56	SHELF	12502114352	2
57	BACK GRILL		1
58	FOAMING HOLE COVER	16352020002	2
59	DRAIN HOSE	15809080016	1
60	POWER CORD	17664640051	1
61	TEMPERATURE SENSOR OF CABINET INSIDE	17649490013	1
62	THERMOMETER	17799990002	1