

TECHNICAL DATA

Dimensions

Exterior Dimensions (WxDxH)	70.25" x 34" x 46.25"
Interior Dimensions Top (WxDxH)	66" x 21.5" x 8.5"
Interior Dimensions Bottom (WxDxH)	67" x 19.5" x 20"
Cutting Board Dimensions (WxDxH)	70.25" x 8.0" x .75"
Net Volume (cu. ft.)	18 cu. ft.
Gross Weight	523 lbs
Packaging Dimensions (WxDxH)	75" x 38.5" x 49.5"
Electrical Cord Length	98.5"

Cooling

Temperature Range	33° - 40° F
Refrigerant	R290
Maximum Ambient	90° F
Temperature Rating	
Defrosting	Automatic
Temperature Display	Yes
Temperature Controller	Digital
H/P	1/2

Construction

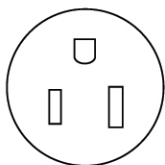
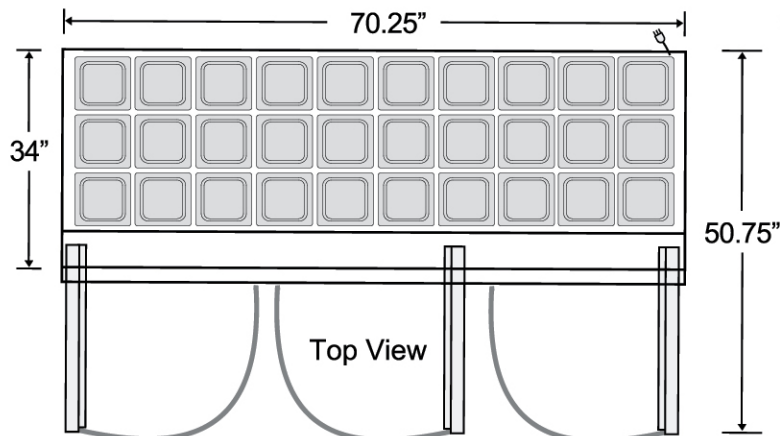
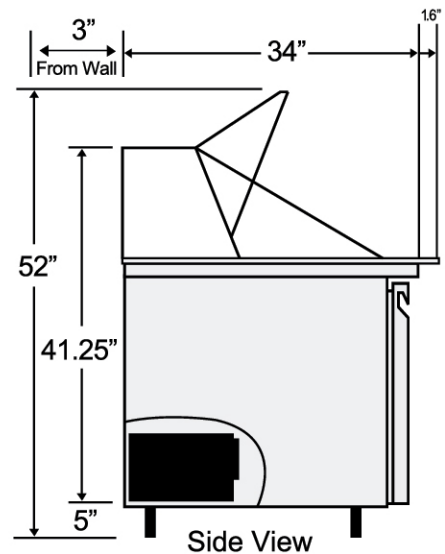
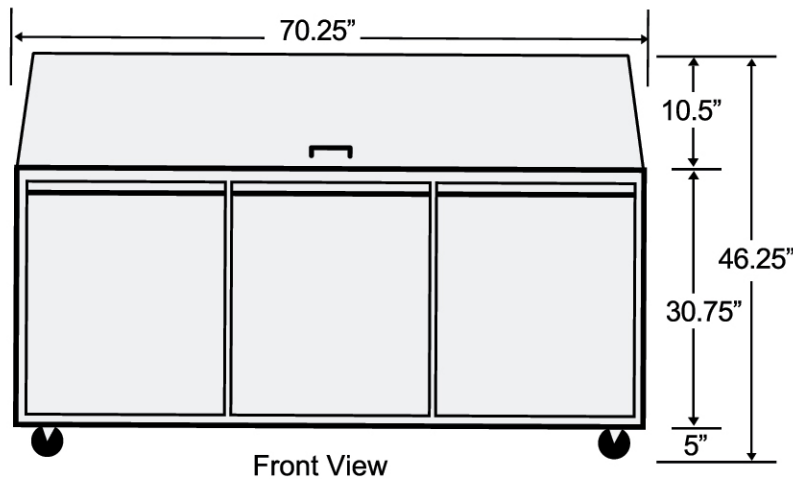
Exterior Material	430 series stainless steel
Interior Material	304 series stainless steel
Insulation Material	Foamed in place polyurethane
Shelf Material	Plastic coated steel
Shelf Load Capacity	90 lbs

*Does not include pans

Electrical

Voltage	120
Amps	9.2
Hz	60

PLAN VIEW

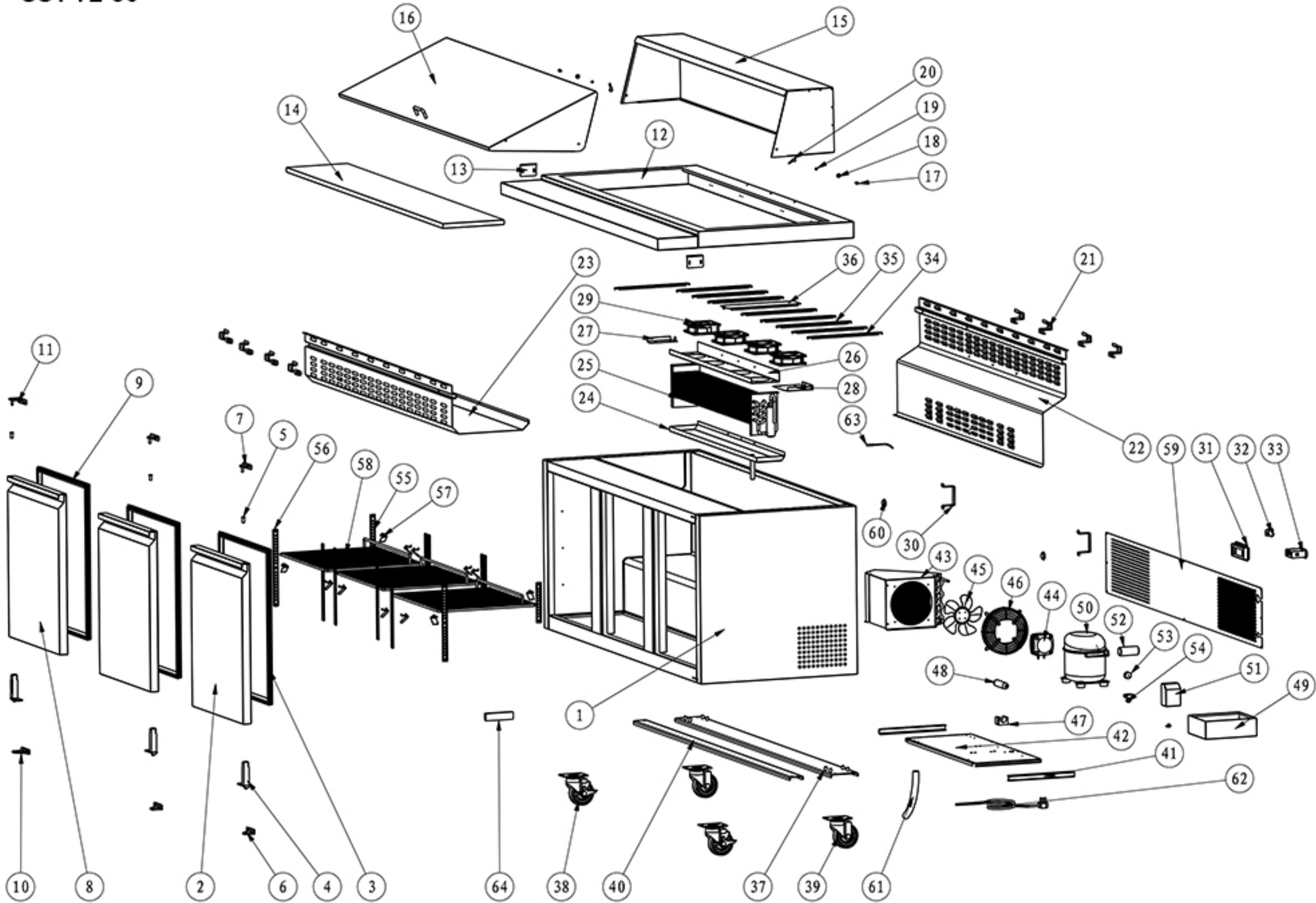


NEMA 5-15



COMPLIES WITH ANSI/NSF 7 FOR FOOD SERVICE

SST-72-30



NO.	Part Name	Factory Part NO.	QTY
1	CABINET		1
2	RIGHT DOOR		2
3	GASKET	16401547635	2
4	SPRING HINGE BOARD	12517010001	3
5	AXIS COVER	16353010008	3
6	BOTTOM RIGHT HINGE	12517140005	1
7	UPPER RIGHT HINGE	12517140004	1
8	LEFT DOOR		1
9	GASKET	16401635720	1
10	BOTTOM LEFT HINGE	12517140003	1
11	UPPER LEFT HINGE	12517140002	1
12	TOP BOARD		1
13	FIXER FOR CUTTING BOARD		2
14	CUTTING BOARD	16319202018	1
15	BACK COVER		1
16	LID		1
17	DOWEL	12515081543	2
18	PLASTIC BOLT	16349070009	2
19	NUT	12414010004	2
20	SPLIT PIN	12515060001	2
21	AIR DUCT SUPPORT		8
22	EVAPORATOR COVER		1
23	AIR RETURN COVER		1
24	INNER DRAIN PAN		1
25	EVAPORATOR	17405040882	1
26	FAN MOTOR INSTALLATION PANEL		1
27	LEFT CLAPBOARD OF EVAPORATOR		1
28	RIGHT CLAPBOARD OF EVAPORATOR		1
29	EVAPORATOR FAN MOTOR	1003001114715	4
30	STAND OFF BRACKET		2
31	THERMOSTAT INSTALLATION BOARD		1
32	POWER SWITCH	17749211297	1
33	THERMOSTAT	17505110100	1
34	PAN BRACKET-15		2
35	PAN BRACKET-25		7
36	PAN BRACKET-90		1
37	CASTOR SUPPORT		1
38	4" CASTOR WITH BRAKE	12533070420	2
39	4" CASTOR	12533040420	2
40	ASSEMBLING PANEL SUPPORT		1
41	COMPRESSOR UNIT TRACK		2

42	COMPRESSOR UNIT INSTALLATION BOARD		1
43	CONDENSER	17304080271	1
44	CONDENSER FAN MOTOR	22752520008	1
45	BLADE OF CONDENSER FAN MOTOR	16381738052	1
46	CONDENSER FAN COVER	22726010001	1
47	FILTER FIXER	16369690257	1
48	FILTER	17111250198	1
49	OUTER DRAIN PAN	16316130008	1
50	COMPRESSOR	17202100040	1
51	SPLICE BOX		1
52	START CAPACITOR		1
53	OVERLOAD PROTECTOR		1
54	STARTER		1
55	K STRIP-2 HOLES		6
56	K STRIP-3 HOLES		6
57	K CLIP		12
58	SHELF	12502114354	3
59	BACK GRILL		1
60	FOAMING HOLE COVER	16352020002	2
61	DRAIN HOSE	15809080016	1
62	POWER CORD	17664640051	1
63	TEMPERATURE SENSOR OF CABINET INSIDE	17649490013	1
64	THERMOMETER	17799990002	1