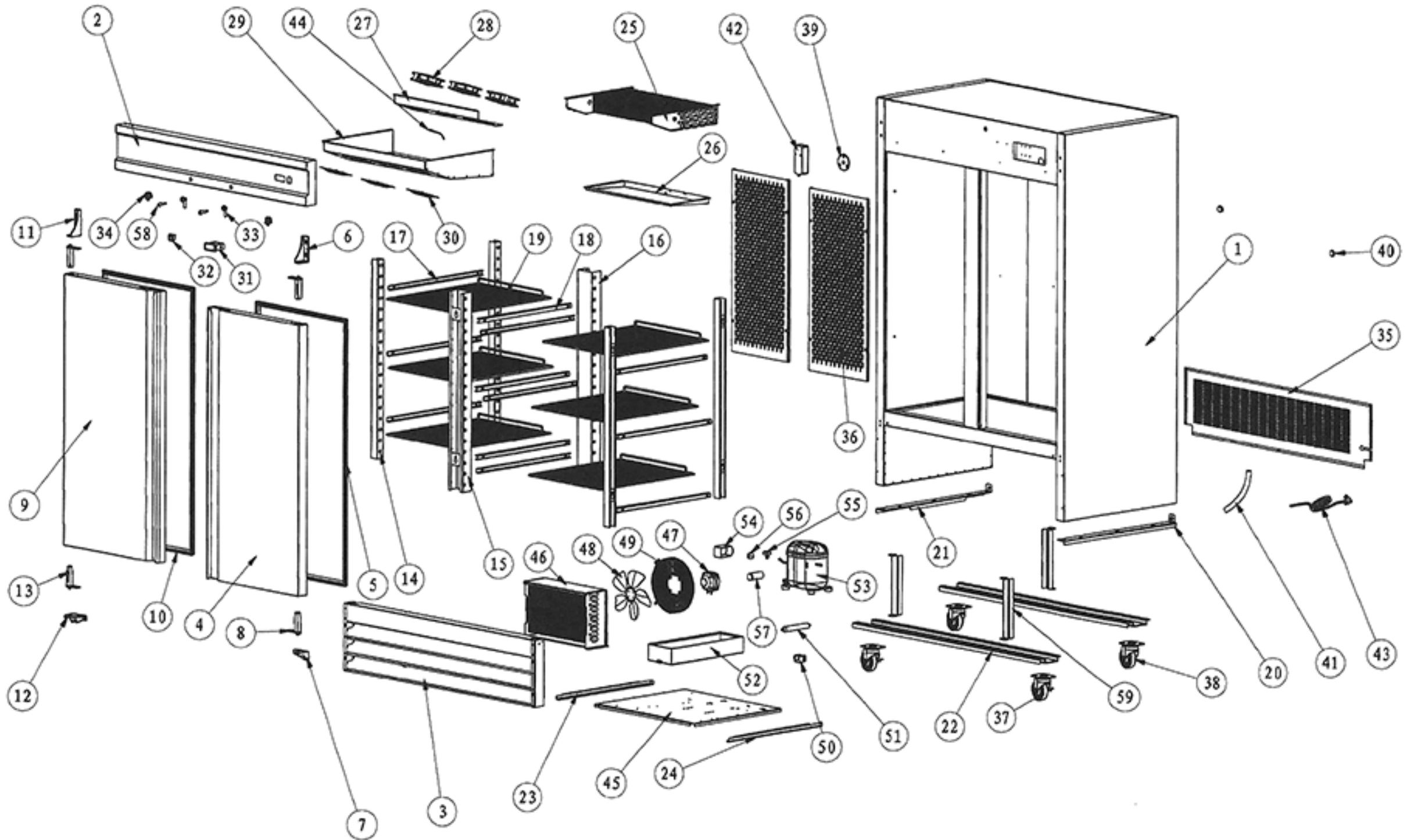


STR-47



Part #	Part Name	Part Qty
1	Cabinet	1
2	Control Panel	1
3	Front Grill	1
4	Right Door	1
5	Gasket	1
6	Upper Right Hinge	1
7	Bottom Right Hinge	1
8	Spring Hinge	2
9	Left Door	1
10	Gasket	1
11	Upper Left Hinge	1
12	Left Bottom Hinge	1
13	Spring Hinge Board	2
14	Bracket	4
15	Middle Bracket	1
16	Back Bracket	1
17	Left Shelf Track	6
18	Right Shelf Track	6
19	Shelf	6
20	Right Connecting Board For Caster	1
21	Left Connecting Board For Caster	1
22	Leg Supporter	2
23	Left Track For Assembling Panel	1
24	Right Track For Assembling Panel	1
25	Evaporator	1
26	Inner Drain Pan	1
27	Fan Motor Installation Panel	1
28	Evaporator Fan Motor	3
29	Evaporator Cover	1
30	Evaporator Fan Motor Cover	3
31	Thermostat	1
32	Power Switch	1
33	Lock	2
34	Door Switch	2
35	Back Grill	1
36	Components For Back Shelf	2
37	4" Castor With Brake	2

38	4" Castor	2
39	Drain Plug	1
40	Foaming Hole Cover	2
41	Drain Hose	1
42	Light Components	1
43	Power Cord	1
44	Temperature Sensor Of Cabinet Inside	1
45	Compressor Unit Installation Board	1
46	Condenser	1
47	Condenser Fan Motor	1
48	Condenser Fan Motor Blade	1
49	Condenser Fan Cover	1
50	Filter Fixer	1
51	Filter	1
52	Outer Drain Pan	1
53	Compressor	1
54	Splice Box	1
55	Starter	1
56	Overload Protector	1
57	Start Capacitor	1
58	Key	2
59	Support Rod	3
60	Evaporator Temperature Sensor	1
61	Drain Pan Heater	1
62	Drain Hose Heater	1
63	Defrost Heater	1

TECHNICAL DATA

Dimensions

Exterior Dimensions (WxDxH)	54" x 32.25" x 82.5"
Interior Dimensions (WxDxH)	49.5" x 27" x 60.25"
Net Volume (cu. ft.)	48 cu. ft.
Gross Weight	536 lbs
Packaging Dimensions (WxDxH)	55" x 34" x 84.5"

Cooling

Temperature Range	33° - 40° F
Refrigerant	R290
Maximum Ambient Temperature Rating	90° F
Defrosting	Automatic
Temperature Display	Yes
Temperature Controller	Digital
H/P	1/2

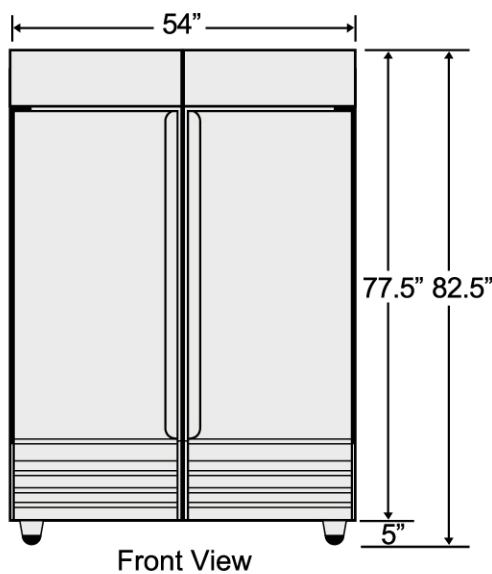
Construction

Exterior Material	430 series stainless steel
Interior Material	304 series stainless steel
Insulation Material	Foamed in place polyurethane
Shelf Material	Plastic coated steel
Shelf Load Capacity	120 lbs

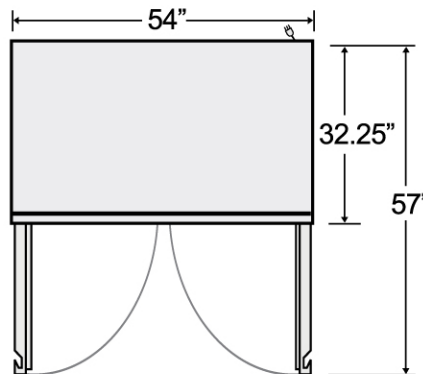
Electrical

Voltage	120
Amps	8.6
Hz	60
Phase	1

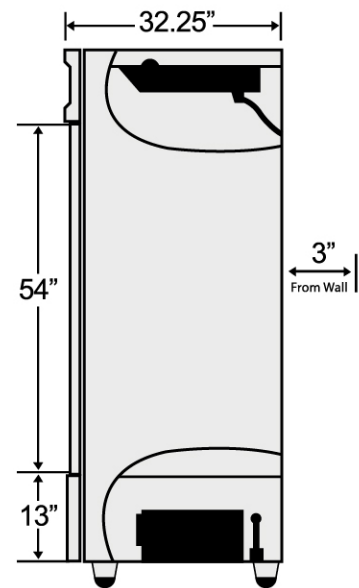
PLAN VIEW



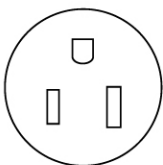
Front View



Top View



Side View



NEMA 5-15