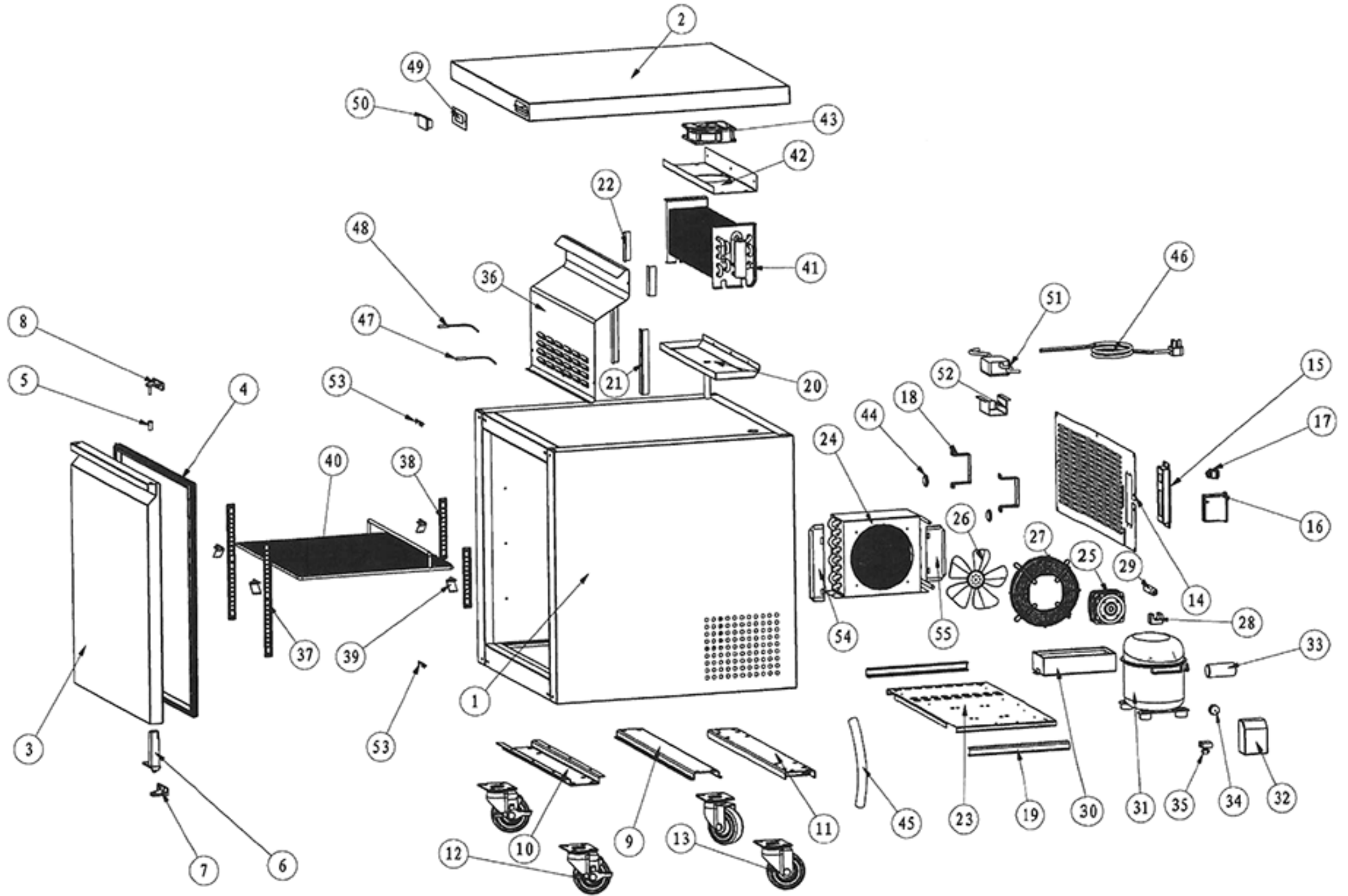


# SUR-27



<b>Part #</b>	<b>Part Name</b>	<b>Part Qty</b>
1	Cabinet	1
2	Top Board	1
3	Door	1
4	Gasket	1
5	Hinge Axis	1
6	Spring Hinge	1
7	Bottom Right Hinge	1
8	Upper Right Hinge	1
9	Castor Support B	1
10	Castor Support C	1
11	Castor Support A	1
12	4" Castor With Brake	2
13	4" Castor	2
14	Back Grill	1
15	Thermostat Installation Box	1
16	Thermostat	1
17	Power Switch	1
18	Stand Off Bracket	2
19	Track for Compressor Installation Board	2
20	Inner Drain Pan	1
21	Evaporator Cover Sticker 1	1
22	Evaporator Cover Sticker 2	2
23	Compressor Unite Installation Board	2
24	Condenser	1
25	Condenser Fan Motor	1
26	Condenser Fan Motor Blade	1
27	Condenser Fan Motor Cover	1
28	Filter Fixer	1
29	Filter	1
30	Outer Drain Pan	1
31	Compressor	1
32	Splice Box	1
33	Start Capacitor	1
34	Overload Protector	1
35	Starter	1
36	Evaporator Fan Cover	1
37	K Strip 3 Holes	2

38	K Strip 2 Holes	2
39	K Clip	4
40	Shelf	1
41	Evaporator	1
42	Evaporator Fan Motor Installation Board	1
43	Evaporator Fan Motor	1
44	Foaming Hole Cover	2
45	Drain Tube (φ16mm)	1
46	Power Cord	1
47	Temperature Sensor 1 (Thermostat)	1
48	Temperature Sensor 2 (Fahrenheit Temp Disp)	1
49	Fahrenheit Temp Display Installation Board	1
50	Fahrenheit Temp Display	1
51	Transformer for Fahrenheit Temp Display	1
52	Transformer Holder	1
53	Hinge Hole Cover for Revised Door	6
54	Air Shield Board One	1
55	Air Shield Board Two	1
56	Baffle	1
57	Defrost Heater	1
58	Drain Hose Heater	1
59	Evaporator Temp Sensor	1

# TECHNICAL DATA

## Dimensions

Exterior Dimensions (WxDxH)	27" x 29.5" x 35.5"
Interior Dimensions (WxDxH)	22" x 19.5" x 23.5"
Net Volume (cu. ft.)	6.25 cu. ft.
Gross Weight	196 lbs
Packaging Dimensions (WxDxH)	30" x 32.5" x 38"

## Cooling

Temperature Range	33° - 40° F
Refrigerant	R290
Maximum Ambient Temperature Rating	90° F
Defrosting	Automatic
Temperature Display	Yes
Temperature Controller	Digital
H/P	1/5

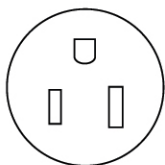
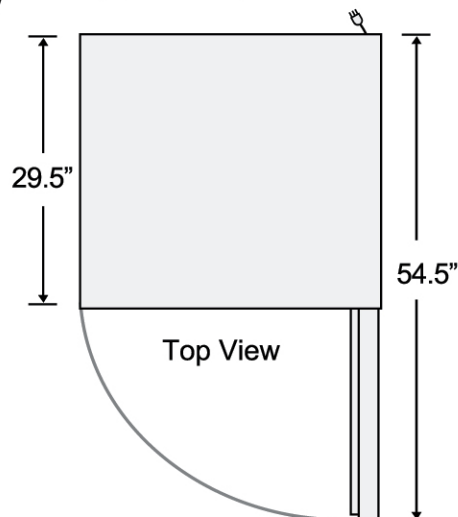
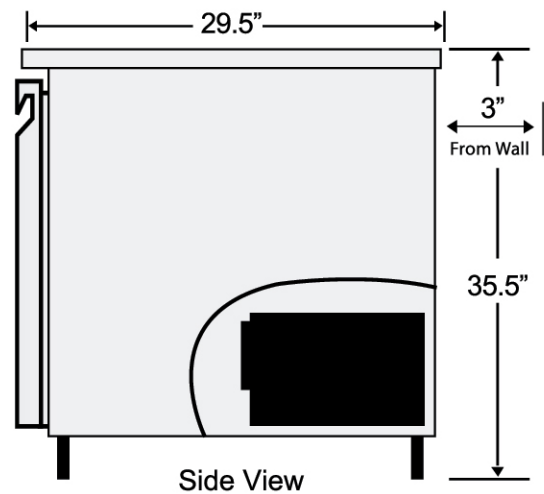
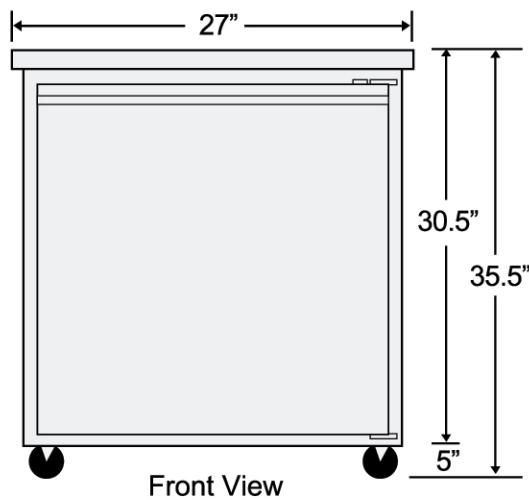
## Construction

Exterior Material	430 series stainless steel
Interior Material	304 series stainless steel
Insulation Material	Foamed in place polyurethane
Shelf Material	Plastic coated steel
Shelf Load Capacity	90 lbs

## Electrical

Voltage	120
Amps	4.6
Hz	60
Phase	1

## PLAN VIEW



NEMA 5-15