

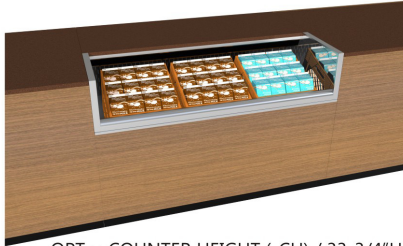
Refrigerated Self-Service Counter Case - Milk Crates

- CO33RM
- CO43RM
- CO53RM
- CO63RM

Lengths include end panels
 36-1/4"L x 32-3/8"D x 33-3/4"H
 47-1/4"L x 32-3/8"D x 33-3/4"H
 59-1/4"L x 32-3/8"D x 33-3/4"H
 71-1/4"L x 32-3/8"D x 33-3/4"H



STD = FREESTANDING (-FS) / 33-3/4"H



OPT = COUNTER HEIGHT (-CH) / 33-3/4"H



OPT = UNDERCOUNTER HEIGHT (-UC) / 32-3/4"H

NOTE: MILK CRATES NOT INCLUDED
 CAPACITY = CO33RM (2), CO43RM (3), CO53RM (4) CO63RM (5)



STANDARD FEATURES

- NOTE: ADD SUFFIX TO MODEL # LISTED ABOVE BASED ON MODEL CONFIGURATION CHOSEN BELOW
- Breeze~E (Type-II) w/ EnergyWise s/c refrigeration
- Blue Fin coated coil
- Casters (non-locking) w/ levelers
- Compressor air rear intake, front discharge at toe kick. Front and rear panels cannot be blocked. Must remain 4" from wall
- Condensate pan (self-contained refrig. only)
- Flat front panel
- Integrated average product temperature of 40°F or less
- One piece formed ABS plastic tub
- One year parts & labor; 5 year compressor warranty
- Removable deck pans provide complete access to evaporator coil & refrigeration connections
- Stainless steel interior only
- Toe kick, black

Features	Standard	Options
MODEL CONFIGURATION	<input type="checkbox"/> Freestanding (-FS) Counter ht. 33-3/4"H; freestanding unit w/2 end panels. Top & front panels positioned between end panels	<input type="checkbox"/> Counter height (-CH) Counter ht. 33-3/4"H; Top & front panels extended over end panels to blend w/adj. counters (supplied by others) <input type="checkbox"/> Undercounter height (-UC) Undercounter ht. 32-3/4"H; front panel extends over end panels to blend w/adj. counters (supplied by others). Counter surface (supplied by others) extends over top of unit
EXTERIOR COLOR	<input type="checkbox"/> Laminated (non-premium) Confirm pattern/grain direction	<input type="checkbox"/> Laminated (premium) Confirm pattern/grain direction <input type="checkbox"/> Stainless steel exterior
END PANEL LEFT	<input type="checkbox"/> Square full end panel w/mirror interior (metal edge matches interior color)	<input type="checkbox"/> Curved end panel w/mirror (-FS model only) <input type="checkbox"/> No end panel w/ synchronized defrost
END PANEL RIGHT	<input type="checkbox"/> Square full end panel w/mirror interior (metal edge matches interior color)	<input type="checkbox"/> Curved end panel w/mirror (-FS model only) <input type="checkbox"/> No end panel w/ synchronized defrost
EXTERIOR BACK PANEL	<input type="checkbox"/> Solid back panel, black	<input type="checkbox"/> Solid back panel, stainless steel
ELECTRICAL CONNECT	<input type="checkbox"/> 6' Straight blade power cord (self-cont.)	<input type="checkbox"/> 6' Locking power cord (self-cont.) <input type="checkbox"/> Electrical leads (remote)
REFRIGERATION	<input type="checkbox"/> Breeze~E (Type-II) w/ EnergyWise s/c refrigeration	<input type="checkbox"/> Note: Remote doesn't incl Conds unit. Floor drain reqd. <input type="checkbox"/> Remote w/thermostat, solenoid & TXV
MISCELLANEOUS		<input type="checkbox"/> Second year parts & labor warranty (excludes compressor)
ACCESSORIES		<input type="checkbox"/> Clean Sweep® coil cleaner (n/a w/remote) <input type="checkbox"/> Solid security cover, removable, locking

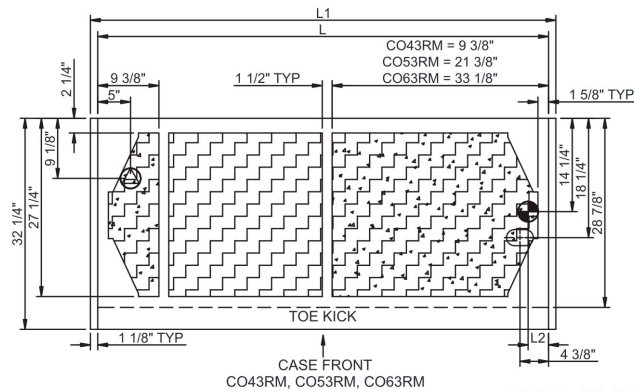
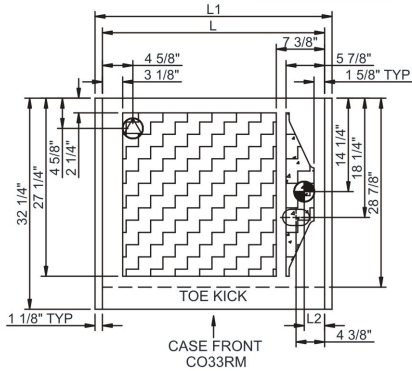
Option Notes: 1 - See tech spec for remote load reqmts

Oasis®

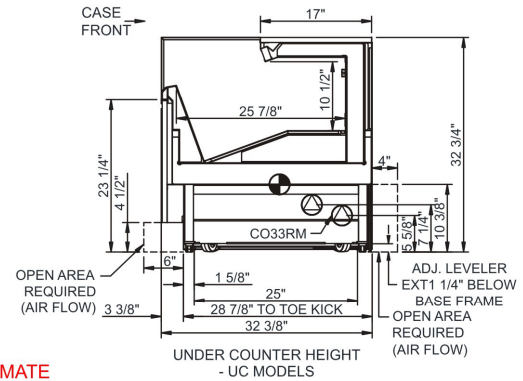
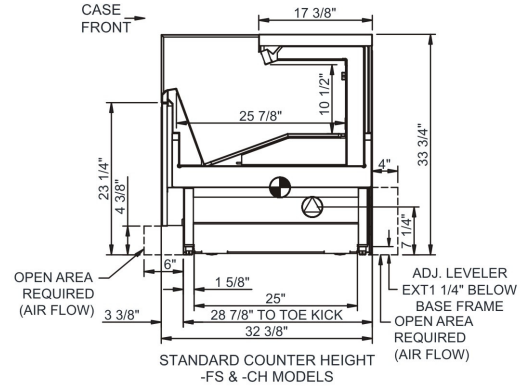
Product Specifications

Intended Environment: Type II - Designed to operate in ambient conditions of 80°F and 60% relative humidity unless noted otherwise in system information below.		
Zone	Intended Product To Be Displayed	Warmest Avg Prod Temp ° F
1	Packaged refrigerated products	40

PLAN VIEW



SIDE VIEW



NOTE: ALL DIMENSIONS APPROXIMATE

- ELECTRICAL JUNCTION BOX (SUPPLIED WITH 6" LEADS OR POWER CORD).
- LOCATION OF DRAIN TUBE FOR REMOTE REF ONLY (SUPPLIED WITH 3/4" OR 1 1/2" PVC TUBE).

- REFRIGERATION LINE CONNECTION.
- REMOTE FLOOR SINK & UTILITIES ACCESS AREA.

- SELF-CONTAINED CASE SERVICE ACCESS AREA.
- DRY CASE SERVICE ACCESS AREA.

Model Technical Specifications

Model	L"	L1"	L2"	System Circuit Volts			Phs	Freq	Amps ***	Watts	Wires	NEMA Plug	SST	Conv. Rack BTUH	Para. Rack BTUH	Est Wt
CO33RM	N/A	36.25	3.13	Remote(Type I)	Circuit #1	110-120	1	60	0.44	31	2+G	Leads Multiple	20.00	959	888	600
				Remote(Type II)	Circuit #1	110-120	1	60	0.44	31	2+G	Leads Multiple	20.00	1106	1024	
				Self-Contained	Circuit #1	110-120	1	60	11.72	1,062	2+G	5-15P or L5-15P	N/A	N/A	N/A	
CO43RM	N/A	47.25	3.13	Remote(Type I)	Circuit #1	110-120	1	60	0.66	57	2+G	Leads Multiple	20.00	1210	1120	700
				Remote(Type II)	Circuit #1	110-120	1	60	0.66	57	2+G	Leads Multiple	20.00	1404	1300	
				Self-Contained	Circuit #1	110-120	1	60	12.00	1,124	2+G	5-15P or L5-15P	N/A	N/A	N/A	
CO53RM	N/A	59.25	3.13	Remote(Type I)	Circuit #1	110-120	1	60	0.52	40	2+G	Leads Multiple	20.00	1512	1400	750
				Remote(Type II)	Circuit #1	110-120	1	60	0.82	54	2+G	Leads Multiple	20.00	1728	1600	
				Self-Contained	Circuit #1	110-120	1	60	12.00	999	2+G	5-15P or L5-15P	N/A	N/A	N/A	
CO63RM	N/A	71.25	3.13	Remote(Type I)	Circuit #1	110-120	1	60	1.20	102	2+G	Leads Multiple	20.00	1814	1680	1,100
				Remote(Type II)	Circuit #1	110-120	1	60	1.20	102	2+G	Leads Multiple	20.00	2160	2000	
				Self-Contained	Circuit #1	110-120	1	60	13.23	1,012	2+G	5-20P or L5-20P	N/A	N/A	N/A	

*** Does not include electric defrost on freezer models.

Regulatory Approvals:

All Models	Accordance with AHRI Std 1200 ETL Listed to UL 471 ETL Listed to CAN/CSA 22.2 No. 120 ETL Sanitation to NSF 7
------------	--



In Accordance with
AHRI Std 1200

DOE 2017
Energy Efficiency
Compliant

Important Notes:

- 1) ELECTRICAL NOTE: If GFCI is required, a GFCI breaker MUST be used in lieu of a GFCI receptacle
- 2) 33" Minimum entry door clearance required (w/out shipping skid)
- 3) Performance issues (product temperatures, water on floor, etc.) caused by adverse conditions are not covered by warranty.
- 4) Keep unit at least 15' from exterior doors, overhead HVAC vents, or any air curtain disruption.
- 5) Do not expose unit to direct sunlight or any heat source (ovens, fryers, etc.).

⚠ WARNING: This product can expose you to chemicals, including Urethane (Ethyl Carbamate), which are known to the State of California to cause cancer and birth defects or other reproductive harm. For more information go to www.P65Warnings.ca.gov.



888 E. Porter Rd.
Muskegon, MI 49441
Ph. 231-798-8888
Fx. 231-798-4960
www.structuralconcepts.com

Note: Information is subject to change at any time.
Visit www.structuralconcepts.com for the most current specs.

Revised 3/26/2021

20303627