

Refrigerated Self-Service Case



MODEL SHOWN: CO47R



- CO37R
- CO47R
- CO57R
- CO67R

Lengths include end panels
 36-1/4"L x 33"D x 79-3/4"H
 47-1/4"L x 33"D x 79-3/4"H
 59-1/4"L x 33"D x 79-3/4"H
 71-1/4"L x 33"D x 79-3/4"H

STANDARD FEATURES

- Breeze~E (Type-II) w/ EnergyWise s/c refrigeration
- 4"D removable rear wall spacer (not included in depth dimension)
- Blue Fin coated coil
- Compressor air front intake, rear discharge. Front panel cannot be blocked. Must remain 4" from wall
- Condensate pan (self-contained refrig. only)
- Integrated average product temperature of 40°F or less
- LED 3500K top light(s)
- One piece formed ABS plastic tub
- One year parts & labor; 5 year compressor warranty
- Removable deck pans provide complete access to evaporator coil & refrigeration connections
- Shelving removable and adjustable on 1" centers

Features	Standard	Options
EXTERIOR COLOR	<input type="checkbox"/> Laminated (non-premium) Confirm pattern/grain direction	<input type="checkbox"/> Laminated (premium) Confirm pattern/grain direction <input type="checkbox"/> Stainless steel (includes lower front panel)
INTERIOR COLOR	<input type="checkbox"/> Black	<input type="checkbox"/> Stainless steel
LWR PERFORATED FRNT PANEL	<input type="checkbox"/> Painted - Black	<input type="checkbox"/> Stainless steel (w/stainless ext. only)
BASE	<input type="checkbox"/> Casters w/ levelers	<input type="checkbox"/> Levelers (only) <input type="checkbox"/> Seismic levelers (Q4695)
END PANEL LEFT	<input type="checkbox"/> Full end panel w/mirror interior	<input type="checkbox"/> Cutaway end panel <input type="checkbox"/> No end panel w/ synchronized defrost <input type="checkbox"/> Square full end panel w/mirror
END PANEL RIGHT	<input type="checkbox"/> Full end panel w/mirror interior	<input type="checkbox"/> Cutaway end panel <input type="checkbox"/> No end panel w/ synchronized defrost <input type="checkbox"/> Square full end panel w/mirror
EXTERIOR BACK PANEL	<input type="checkbox"/> Solid back panel, black	<input type="checkbox"/> Rear loading hinged doors, locking <input type="checkbox"/> Solid back panel, stainless steel
SHELVING	<input type="checkbox"/> Metal shelves, non-lighted	<input type="checkbox"/> Metal shelves, lighted (LED 3500K)
ELECTRICAL CONNECT	<input type="checkbox"/> 6' Power cord (base exit)	<input type="checkbox"/> 6' Power cord (top exit)
REFRIGERATION	<input type="checkbox"/> Breeze~E (Type-II) w/ EnergyWise s/c refrigeration	<input type="checkbox"/> Note: Remote doesn't incl Conds unit. Floor drain reqd. <input type="checkbox"/> Remote w/thermostat, solenoid & TXV
MISCELLANEOUS		<input type="checkbox"/> Case height wall spacer bracket (specify BL or SS) <input type="checkbox"/> Roll-down security cover, locking (Requires two end panels (full or cutaway) per case) <input type="checkbox"/> Second year parts & labor warranty (excludes compressor)
ACCESSORIES		<input type="checkbox"/> Clean Sweep® coil cleaner (n/a w/remote) <input type="checkbox"/> Night curtain, retractable, non-locking <input type="checkbox"/> Price tag molding (matches interior color) <input type="checkbox"/> Solid security cover, removable, locking

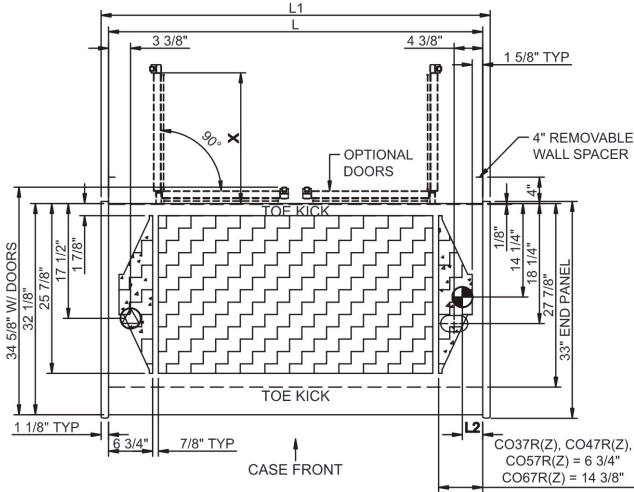
Option Notes: 1 - CO37R - Specify service LH or RH hinge
 2 - See tech spec for remote load reqmts

Oasis®

Product Specifications

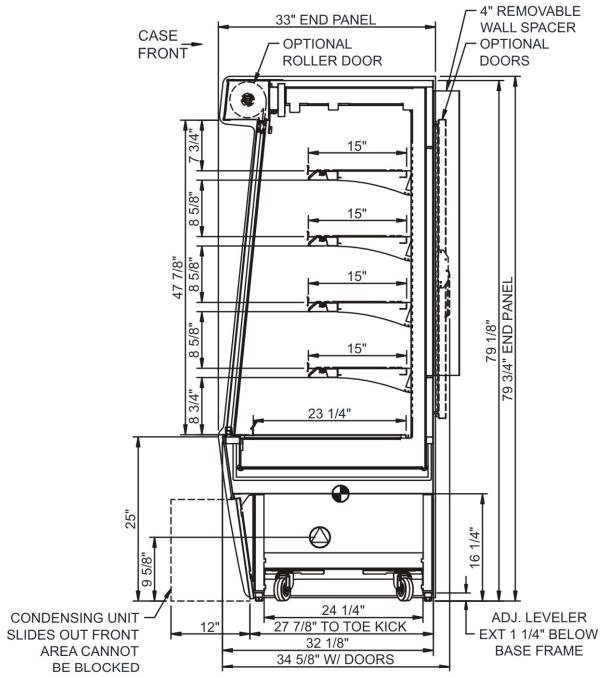
Intended Environment: Type II - Designed to operate in ambient conditions of 80°F and 60% relative humidity unless noted otherwise in system information below.		
Zone	Intended Product To Be Displayed	Warmest Avg Prod Temp ° F
1	Packaged refrigerated products	40

PLAN VIEW



NOTE: CO37R(Z) - (X) = 30 1/8\" - (1) DOOR LH HINGED
 CO47R(Z) - (X) = 19 3/4\" - (2) DOORS RH & LH HINGED
 CO57R(Z) - (X) = 19 3/4\" - (2) DOORS RH & LH HINGED
 CO67R(Z) - (X) = 30 1/8\" - (2) DOORS RH & LH HINGED

SIDE VIEW



CASE DEPTH	Solid Back	Rear Doors
Flat Front	33"	35 1/2"

NOTE: ALL DIMENSIONS APPROXIMATE

- ELECTRICAL JUNCTION BOX (SUPPLIED WITH 6\"/>
- REFRIGERATION LINE CONNECTION.
- SELF-CONTAINED CASE SERVICE ACCESS AREA.
- LOCATION OF DRAIN TUBE FOR REMOTE REF. ONLY (SUPPLIED WITH 3/4\"/>
- REMOTE FLOOR SINK & UTILITIES ACCESS AREA.
- DRY CASE SERVICE ACCESS AREA.

Model Technical Specifications

Model	L"	L1"	L2"	System Circuit Volts			Phs	Freq	Amps ***	Watts	Wires	NEMA Plug	SST	Conv. Rack BTUH	Para. Rack BTUH	Est Wt
CO37R	N/A	36.25	3.13	Remote(Type I)	Circuit #1	110-120	1	60	1.27	116	2+G	Leads Multiple	20.00	4666	4320	900
				Remote(Type II)	Circuit #1	110-120	1	60	1.27	116	2+G	Leads Multiple	20.00	5724	5300	
				Self-Contained	Circuit #1	110-120	1	60	15.62	1,388	2+G	5-20P or L5-20P	N/A	N/A	N/A	
CO47R	N/A	47.25	3.13	Remote(Type I)	Circuit #1	110-120	1	60	1.61	156	2+G	Leads Multiple	20.00	5918	5480	1,000
				Remote(Type II)	Circuit #1	110-120	1	60	1.61	156	2+G	Leads Multiple	20.00	7301	6760	
				Self-Contained	Circuit #1	208-240	1	60	9.85	1,750	2+G	6-20P or L6-20P	N/A	N/A	N/A	
CO57R	N/A	59.25	3.13	Remote(Type I)	Circuit #1	110-120	1	60	1.60	71	2+G	Leads Multiple	20.00	7582	7020	1,100
				Remote(Type II)	Circuit #1	110-120	1	60	1.60	71	2+G	Leads Multiple	20.00	9331	8640	
				Self-Contained	Circuit #1	208-240	1	60	11.59	2,094	2+G	6-20P or L6-20P	N/A	N/A	N/A	
CO67R	N/A	71.25	3.13	Remote(Type I)	Circuit #1	110-120	1	60	2.93	260	2+G	Leads Multiple	20.00	9094	8420	1,200
				Remote(Type I)	Circuit #1	110-120	1	60	2.93	260	2+G	Leads Multiple	-	9094	8420	
				Remote(Type II)	Circuit #1	110-120	1	60	2.93	260	2+G	Leads Multiple	20.00	11210	10380	
Self-Contained	Circuit #1	208-240	1	60	15.31	2,901	2+G	6-20P or L6-20P	N/A	N/A	N/A					

*** Does not include electric defrost on freezer models.

Regulatory Approvals:

All Models	Accordance with AHRI Std 1200 ETL Listed to UL 471 ETL Listed to CAN/CSA 22.2 No. 120 ETL Sanitation to NSF 7
------------	--



In Accordance with
AHRI Std 1200

DOE 2017
Energy Efficiency
Compliant

Important Notes:

- 1) ELECTRICAL NOTE: If GFCI is required, a GFCI breaker MUST be used in lieu of a GFCI receptacle
- 2) Performance issues (product temperatures, water on floor, etc.) caused by adverse conditions are not covered by warranty.
- 3) Keep unit at least 15' from exterior doors, overhead HVAC vents, or any air curtain disruption.
- 4) End panels must be tightly joined or kept at least 6" away from any structure to prevent condensation.
- 5) Do not expose unit to direct sunlight or any heat source (ovens, fryers, etc.).
- 6) Keep at least 8" of clearance above unit for air discharge (self-contained only).
- 7) Tile floors, low ceilings, or small rooms will increase noise level. Remote refrigeration recommended.

⚠ WARNING: This product can expose you to chemicals, including Urethane (Ethyl Carbamate), which are known to the State of California to cause cancer and birth defects or other reproductive harm. For more information go to www.P65Warnings.ca.gov.



888 E. Porter Rd.
Muskegon, MI 49441
Ph. 231-798-8888
Fx. 231-798-4960
www.structuralconcepts.com

Note: Information is subject to change at any time.
Visit www.structuralconcepts.com for the most current specs.

Revised 3/26/2021

20030987