

Refrigerated Self-Service End Cap

□ FSE663R

Lengths include end panels
 49-3/8"L x 73-3/8"D x 63-3/8"H



STANDARD FEATURES

- Breeze~E (Type-II) w/ EnergyWise s/c refrigeration
- Compressor air intake in one side & out other side. All louvered panels cannot be blocked
- Full end panel w/mirror interior
- Integrated average product temperature of 40°F or less
- LED 4000K top light(s)
- One year parts & labor; 5 year compressor warranty
- Price tag molding (matches interior color)
- Removable deck pans provide complete access to evaporator coil & refrigeration connections

Features	Standard	Options
EXTERIOR COLOR	<input type="checkbox"/> Laminated (non-premium) Confirm pattern/grain direction	<input type="checkbox"/> Laminated (premium) Confirm pattern/grain direction <input type="checkbox"/> Stainless steel (includes lower front panel)
INTERIOR COLOR	<input type="checkbox"/> Black	<input type="checkbox"/> Stainless steel
LOWER FRONT PANEL COLOR	<input type="checkbox"/> Black	<input type="checkbox"/> Stainless steel (w/stainless ext. only)
BASE SUPPORT	<input type="checkbox"/> Levelers	<input type="checkbox"/> Inline casters (n/a with remote)
SHELVING	<input type="checkbox"/> Non-adjustable metal shelves, non-lighted	<input type="checkbox"/> Non-adjustable metal shelves, lighted (LED 4000K)
ELECTRICAL CONNECT	<input type="checkbox"/> 6' Straight blade power cord (self-cont.)	<input type="checkbox"/> 6' Locking power cord (self-cont.) <input type="checkbox"/> Electrical leads (remote)
REFRIGERATION	<input type="checkbox"/> Breeze~E (Type-II) w/ EnergyWise s/c refrigeration	<input type="checkbox"/> Note: Remote doesn't incl Conds unit. Floor drain reqd. <input type="checkbox"/> Remote w/thermostat, solenoid & TXV
MISCELLANEOUS		<input type="checkbox"/> Second year parts & labor warranty (excludes compressor)

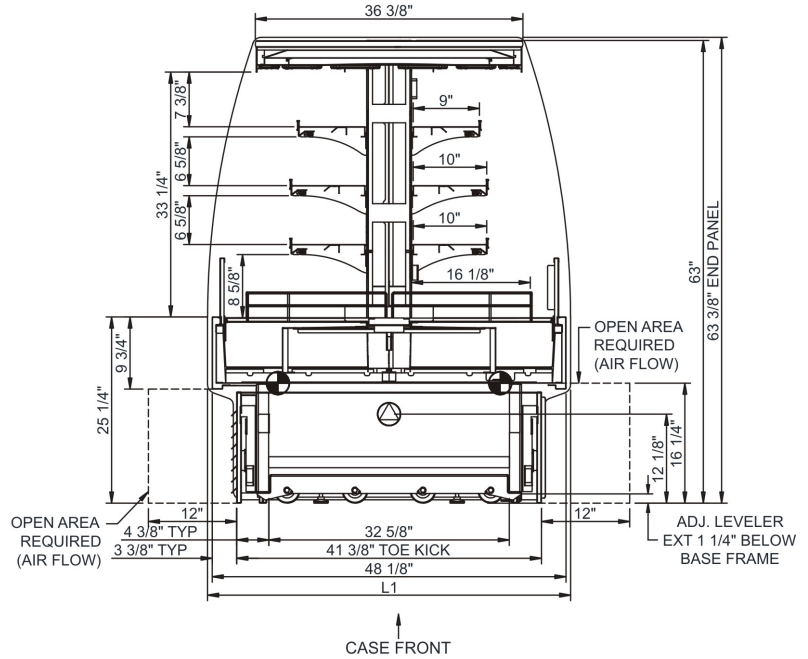
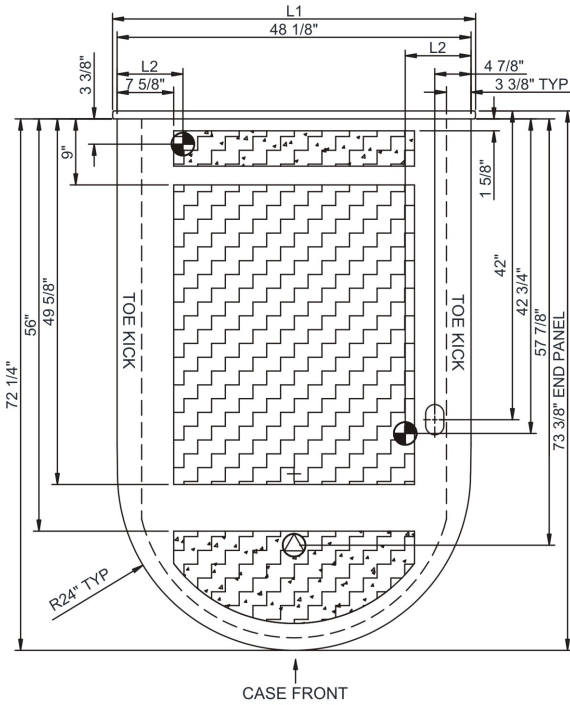
Oasis®

Product Specifications

Intended Environment: Type II - Designed to operate in ambient conditions of 80°F and 60% relative humidity unless noted otherwise in system information below.	
Zone	Intended Product To Be Displayed
1	Packaged refrigerated products
Warmest Avg Prod Temp ° F	
40	

PLAN VIEW

SIDE VIEW



NOTE: ALL DIMENSIONS APPROXIMATE

-  ELECTRICAL JUNCTION BOX (SUPPLIED WITH 6" LEADS OR POWER CORD).
-  REFRIGERATION LINE CONNECTION.
-  SELF-CONTAINED CASE SERVICE ACCESS AREA.
-  LOCATION OF DRAIN TUBE FOR REMOTE REF. ONLY (SUPPLIED WITH 3/4" OR 1 1/2" PVC TUBE).
-  REMOTE FLOOR SINK & UTILITIES ACCESS AREA.
-  DRY CASE SERVICE ACCESS AREA.

Model Technical Specifications																
Model	L"	L1"	L2"	System Circuit Volts			Phs	Freq	Amps ***	Watts	Wires	NEMA Plug	SST	Conv. Rack BTUH	Para. Rack BTUH	Est Wt
FSE663R	N/A	49.38	9.00	Remote(Type I)	Circuit #1	110-120	1	60	7.77	434	2+G	Leads Multiple	20.00	10627	9840	1,550
				Remote(Type II)	Circuit #1	110-120	1	60	7.77	434	2+G	Leads Multiple	20.00	13997	12960	
				Self-Contained	Circuit #1	208-240	1	60	23.07	3,127	2+G	6-30P or L6-30P	N/A	N/A	N/A	

*** Does not include electric defrost on freezer models.

Regulatory Approvals:

All Models	Accordance with AHRI Std 1200 ETL Listed to UL 471 ETL Listed to CAN/CSA 22.2 No. 120 ETL Sanitation to NSF 7
------------	--



In Accordance with
AHRI Std 1200

DOE 2017
Energy Efficiency
Compliant

Important Notes:

- 1) ELECTRICAL NOTE: If GFCI is required, a GFCI breaker MUST be used in lieu of a GFCI receptacle
- 2) Compressor air side intake and side discharge
- 3) 50" minimum door entry clearance required (without shipping skid).
- 4) Performance issues (product temperatures, water on floor, etc.) caused by adverse conditions are not covered by warranty.
- 5) Keep unit at least 15' from exterior doors, overhead HVAC vents, or any air curtain disruption.
- 6) End panels must be tightly joined or kept at least 6" away from any structure to prevent condensation.
- 7) Do not expose unit to direct sunlight or any heat source (ovens, fryers, etc.).

⚠ WARNING: This product can expose you to chemicals, including Urethane (Ethyl Carbamate), which are known to the State of California to cause cancer and birth defects or other reproductive harm. For more information go to www.P65Warnings.ca.gov.