

Fusion

Product Specifications

ITEM NO: _____
 PROJECT: _____
 DATE: _____

Combination Prep/Refrigerated Self-Service Case w/ Rear Storage



MODEL SHOWN: GP441RR

NOTE: INTERIOR PANS NOT PROVIDED W/CASE GP441RR HOLDS (2) FULL SIZE 4"D PANS
 GP641RR = (3) PANS - GP841RR = (4) PANS

- GP441RR
- GP641RR
- GP841RR

Lengths include 1-1/8" end panels
 51"L x 52-1/4"D x 55-1/2"H
 75-3/8"L x 52-1/4"D x 55-1/2"H
 99-3/4"L x 52-1/4"D x 55-1/2"H

STANDARD FEATURES

- Breeze w/EnergyWise s/c refrigeration
- Clear sneeze guard glass with top serving shelf
- Compressor air intake from rear and out front panel at toe kick.
Front panel cannot be blocked.
- Condiment pan support rails
- Integrated average product temperature of 40°F or less
- LED 4000K top light(s)
- NOTE: Pans not supplied with case.
- NOTE: Remote only available w/rail base w/shims. N/A w/
levelers, casters or legs.
- One year parts & labor; 5 year compressor warranty
- Shelving removable and adjustable on 1" centers
- Stainless steel rear exterior

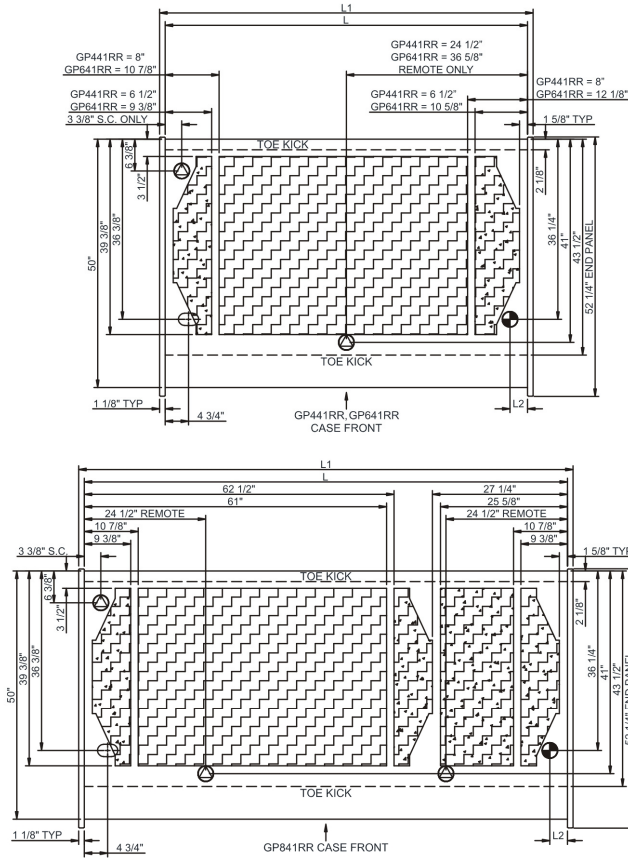
Features	Standard	Options
EXTERIOR COLOR	<input type="checkbox"/> Laminated (non-premium) Confirm pattern/grain direction	<input type="checkbox"/> Laminated (premium) Confirm pattern/grain direction <input type="checkbox"/> Painted (stock colors, specify RAL#) <input type="checkbox"/> Stainless steel
INTERIOR COLOR	<input type="checkbox"/> Black	<input type="checkbox"/> Stainless steel
LOWER FRONT PANEL COLOR	<input type="checkbox"/> Painted - Black	<input type="checkbox"/> Stainless steel
BASE	<input type="checkbox"/> Casters w/ levelers	<input type="checkbox"/> 6"H legs (n/a w/ remote ref.)
END PANEL LEFT	<input type="checkbox"/> Full end panel w/mirror interior	<input type="checkbox"/> No end panel w/ synchronized defrost
END PANEL RIGHT	<input type="checkbox"/> Full end panel w/mirror interior	<input type="checkbox"/> No end panel w/ synchronized defrost
REAR STORAGE	<input type="checkbox"/> Non-refrigerated rear storage (w/o doors)	<input type="checkbox"/> Non-refrigerated rear storage (w/doors) <input type="checkbox"/> Refrigerated rear storage (w/doors)
REAR WORK LEDGE	<input type="checkbox"/> White Sanalite®	<input type="checkbox"/> Stainless steel
SNEEZE GUARD POSTS	<input type="checkbox"/> Black	<input type="checkbox"/> Silver
ELECTRICAL CONNECT	<input type="checkbox"/> 6' Straight blade power cord (self-cont.)	<input type="checkbox"/> 6' Locking power cord (self-cont.) <input type="checkbox"/> Electrical leads (remote)
REFRIGERATION	<input type="checkbox"/> Breeze w/EnergyWise s/c refrigeration	<input type="checkbox"/> NOTE: Remote only available w/rail base w/shims. N/A w/ levelers, casters or legs. <input type="checkbox"/> Note: Remote doesn't incl Conds unit. Floor drain reqd. <input type="checkbox"/> Remote w/thermostat, solenoid & TXV
MISCELLANEOUS		<input type="checkbox"/> Rear door lock <input type="checkbox"/> Second year parts & labor warranty (excludes compressor)
ACCESSORIES		<input type="checkbox"/> Additional non-lighted metal shelf <input type="checkbox"/> Clean Sweep® coil cleaner (n/a w/remote) <input type="checkbox"/> Night curtain, retractable, non-locking <input type="checkbox"/> Removable wire security cover, locking

Fusion

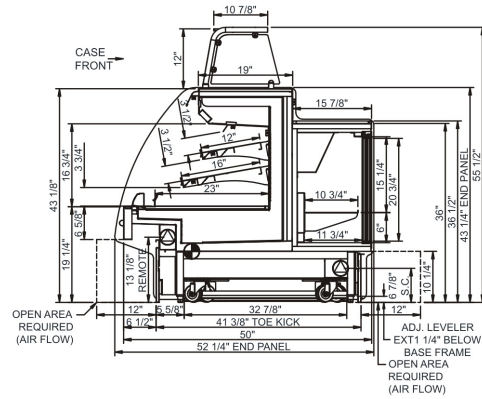
Product Specifications

Intended Environment: Type I - Designed to operate in ambient conditions of 75°F with 55% relative humidity unless noted otherwise in system information below.		
Zone	Intended Product To Be Displayed	Warmest Avg Prod Temp ° F
1	Packaged / unpackaged refrigerated products	40

PLAN VIEW



SIDE VIEW



NOTE: ALL DIMENSIONS APPROXIMATE

- ELECTRICAL JUNCTION BOX (SUPPLIED WITH 6" LEADS OR POWER CORD).
- REMOTE FLOOR SINK & UTILITIES ACCESS AREA.
- LOCATION OF DRAIN TUBE FOR REMOTE REF. ONLY (SUPPLIED WITH 3/4" OR 1 1/2" PVC TUBE).
- SELF-CONTAINED CASE SERVICE ACCESS AREA.
- REFRIGERATION LINE CONNECTION.
- DRY CASE SERVICE ACCESS AREA.

Model Technical Specifications

Model	L"	L1"	L2"	System Circuit Volts	Phs	Freq	Amps ***	Watts	Wires	NEMA Plug	SST	Conv. Rack BTUH	Para. Rack BTUH	Est Wt		
GP441RR	48.75	51.00	3.50	Remote(Type I)	Circuit #1	110-120	1	60	3.45	288	2+G	Leads Multiple	20.00	4450	4120	1,200
				Remote(Type I)	Circuit #1	110-120	1	60	3.45	288	2+G	Leads Multiple	20.00	4450	4120	
				Self-Contained	Circuit #1	120/230V	1	60	12.00	2,219	3+G	14-20P or L14-20P	N/A	N/A	N/A	
GP641RR	73.13	75.38	3.50	Remote(Type I)	Circuit #1	110-120	1	60	6.32	551	2+G	Leads Multiple	20.00	5486	5080	1,600
				Remote(Type I)	Circuit #1	110-120	1	60	5.52	546	2+G	Leads Multiple	20.00	5486	5080	
				Self-Contained	Circuit #1	120/230V	1	60	15.92	2,534	3+G	14-20P or L14-20P	N/A	N/A	N/A	
GP841RR	97.50	99.75	3.50	Remote(Type I)	Circuit #1	110-120	1	60	5.86	656	2+G	Leads Multiple	20.00	7690	7120	1,700
				Remote(Type I)	Circuit #1	110-120	1	60	7.52	568	2+G	Leads Multiple	20.00	7690	7120	
				Self-Contained	Circuit #1	120/230V	1	60	15.55	2,712	3+G	14-20P or L14-20P	N/A	N/A	N/A	

*** Does not include electric defrost on freezer models.

Regulatory Approvals:

All Models	Accordance with AHRI Std 1200 ETL Listed to UL 471 ETL Listed to CAN/CSA 22.2 No. 120 ETL Sanitation to NSF 7
------------	--

Important Notes:

- ELECTRICAL NOTE: If GFCI is required, a GFCI breaker MUST be used in lieu of a GFCI receptacle
- 52" minimum door entry clearance required (without shipping skid).
- Units are supplied with levelers. They must be adjusted during installation to ensure the unit is level and plumb. Dimensions reflect levelers extended 1 1/4".

WARNING: This product can expose you to chemicals, including Urethane (Ethyl Carbamate), which are known to the State of California to cause cancer and birth defects or other reproductive harm. For more information go to www.P65Warnings.ca.gov.



In Accordance with
AHRI Std 1200

DOE 2017
Energy Efficiency
Compliant