



Project _____
 AIA # _____ SIS # _____
 Item # _____ Quantity _____ C.S.I. Section 114000



UHT SERIES - COMPACT UNDERCOUNTER REFRIGERATORS

UHT SERIES

Compact Undercounter Refrigerator

32" Models / Self-Contained

UHT32



STANDARD PRODUCT FEATURES

- Stainless Steel Exterior Top, Sides & Doors
- Anodized Aluminum Interior
- Front Breathing Self-Contained Refrigeration System
- Environmentally Friendly, Non-Flammable R-450A Refrigerant
- Self-Closing Door(s) with Stay-Open Feature at 105 Degrees
- Anodized Aluminum Interior Door Liner
- Electronic Control
- Two (2) Powder Coated Shelves Per Door, Mounted on Pilasters
- Automatic Non-Electric Condensate Evaporator
- Magnetic Snap-In EZ-Clean Door Gasket(s)
- 8' (2.4 m) NEMA Cord & Plug Attached
- Set of Four (4) 4" Casters
- 3-Year Parts & Labor Warranty
- 2-Years Additional Compressor Parts Warranty



Some models are ENERGY STAR® listed. Please refer to www.energystar.gov to view the most up-to-date product listing and performance data.



Intertek
 4004142
Complies to UL STD. 471
 Cert. to CAN/CSA STD. C22.2 NO.120

This unit is listed to the applicable UL, CSA and NSF Standards by an approved NRTL. Consult the factory or unit's data plate for approval information.

ACCESSORIES & OPTIONS (*field installed)

- CK20 (four 6" (15.2cm) high casters for 27" & 32" models)
- CK24 (four 3-1/2" (8.9 cm) high casters for 27" & 32" models)
- CK26 (four 2-3/4" (6.9 cm) high casters for 27" & 32" models)
- CK28 (four 2-1/2" (6.4 cm) high casters for 27" & 32" models)
- CUACC-LEGSET4 (four 6" (15.24 cm) legs for 27" & 32" models)
- Shelf CPW2 (additional shelf for 32" models)
- CU32TOP-BSW0 (22 ga. stainless steel top with 4" (10.2 cm) backsplash 32")
- Optional accessory kits shipped separately for field installation

AVAILABLE CONFIGURATIONS

27", 32", 48", 60", 72" Wide Models

Model	Door Style	Hinging
UHT32-L	One Solid Door	Left
UHT32-R	One Solid Door	Right

FACTORY INSTALLED OPTIONS

- Stainless Steel Finished Back * Other Door Hinging

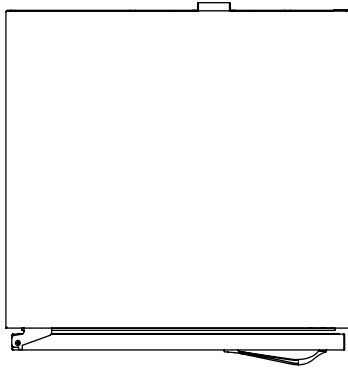
Approved by _____ Date _____ Approved by _____ Date _____



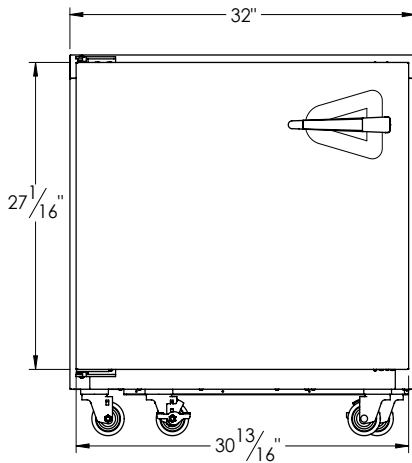
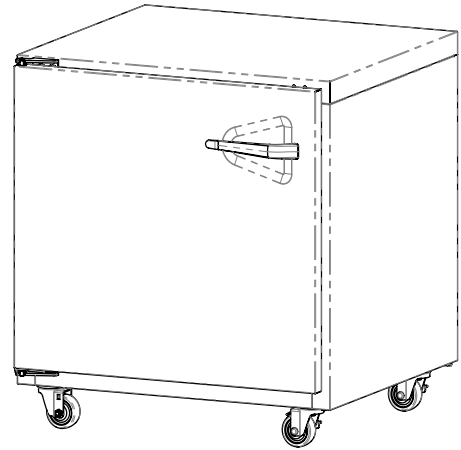
MODELS:

UHT32-L
UHT32-R

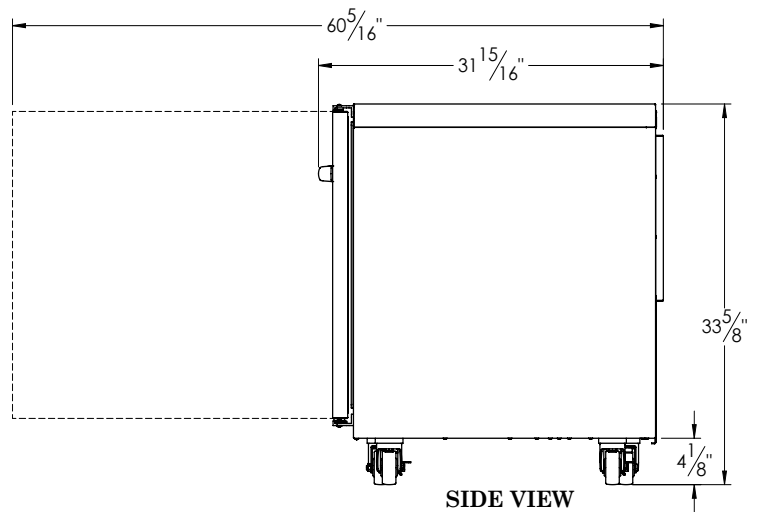
CLICK
TRANSFER
For KCL CADalog Website



TOP VIEW



ELEVATION



SIDE VIEW



UHT SERIES

Compact Undercounter Refrigerator

32" Models / Self-Contained

MODELS:

UHT32-L, UHT32-R

MODELS	UHT32-__
CABINET DIMENSIONAL DATA	
Storage cu. ft. (l)	8.61 [244]
Width cabinet in. (cm)	27" [69]
Width - door in. (cm)	25 7/8" [65.7]
Depth - door open 90° in.	55 3/8" [140.7]
Clear door opening in. (cm)	22 3/4" [57.8]
# of doors	1
# of shelves	2
Total shelf Area sq. ft. (m)	6.1 [56]
ELECTRICAL DATA & REFRIGERATION DATA 115/60/1 NEMA 5-15P	
Full Load Amps	7.5
MDEC ¹ (KWH)	1.78
Refrigerant	R-450A
Refrigerant Amount oz. (gr)	8.5 [241]
BTU ² /HR H.P.	1435 [1/4]
SHIPPING DATA	
Width Crated in. (cm)	45" [114]
Volume Crated cu. ft. (l)	45 [1274]
Weight lbs. (kg) - Crated	255 [116]

NOTES:

- MDEC = Maximum Daily Energy Consumption
 - Compressor BTU based on a 90° F (32° C) degree ambient and 20°F (-6° C) degree evaporator.
- When ordering please specify: voltage, hinging and optional accessories.

EQUIPMENT SPECIFICATIONS

CONSTRUCTION, HARDWARE, INSULATION

Cabinet exterior front, one piece sides, and doors are constructed of 22 gauge stainless steel. Cabinet interior and door liners are constructed of anodized aluminum. The exterior cabinet back and bottom are constructed of galvanized steel.

Door self-closes at less than 90 degrees and also includes a stay open feature at 105 degrees. Gasket profile and material simplify cleaning and increase overall gasket life. Both the cabinet and door(s) are insulated with an average of 2" (5 cm) thick high density, non-CFC, foamed in place polyurethane.

REFRIGERATION SYSTEM

A balanced, rear mounted, front breathing, self-contained refrigeration system using environmentally friendly, non-flammable R-450A refrigerant is provided. It features a capillary tube, air cooled 1435 BTU, 1/4 hp, hermetic compressor, a forced air evaporator coil and a non-electric condensate evaporator. An 8' (2.4m) NEMA cord and plug is provided. Standard operating temperature for refrigerator models is 34° to 38°F (1.1° to 3.3°C).

CONTROLLER

An electronic digital control is supplied standard. It includes a 3-Digit LED display, and a Fahrenheit or Celsius temperature scale display capability.

INTERIOR

Standard interior arrangements include two (2) powder coated wire shelves per door, mounted on pilasters. These are adjustable in 1/2" (1.27 cm) increments, allowing for a minimum of 1-1/2" (3.81 cm) spacing between shelves.

WARRANTY

Both a three year parts and labor warranty and a five year compressor parts warranty (self-contained models) are provided standard.

CONTINUED PRODUCT DEVELOPMENT MAY NECESSITATE SPECIFICATION CHANGES WITHOUT NOTICE.

CONTINUED PRODUCT DEVELOPMENT MAY NECESSITATE SPECIFICATION CHANGES WITHOUT NOTICE.