



Project _____
 AIA # _____ SIS # _____
 Item # _____ Quantity _____ C.S.I. Section 114000



ULT SERIES - R290

Freezer Compact Undercounter

ULT60



STANDARD PRODUCT FEATURES

- Stainless Steel Exterior Top, Sides & Doors
- Anodized Aluminum Interior
- Front Breathing Self-Contained Refrigeration System
- Environmentally Friendly R-290 Refrigerant
- Self-Closing Stainless Steel Doors with Stay-Open feature at 105 degrees
- Anodized Aluminum Interior Door Liner
- Electronic Control
- Two (2) Powder Coated Shelves Per Door, Mounted on Pilasters
- Automatic Non-Electric Condensate Evaporator
- Magnetic Snap-In EZ-Clean Door Gasket(s)
- 8' (2.4 m) NEMA Cord & Plug Attached
- Set of Six (6) 4" Casters
- 3-Year Parts & Labor Warranty
- 2-Years Additional Compressor Parts Warranty

ACCESSORIES & OPTIONS (*field installed)

- CK21 (six 6" (15.2 cm) high casters for 60" models)
- CK25 (six 3-1/2" (8.9 cm) high casters for 60" models)
- CK27 (six 2-3/4" (6.9 cm) high casters for 60" models)
- LK6 (six 6" (15.24 cm) high legs for 60" models)
- SHELF60 UPPER (upper shelf for 60" models)
- SHELF60 LOWER (lower shelf for 60" models)
- CU60TOP-BSWO (22 ga. stainless steel top with 4" (10.2 cm) backsplash 60")
- Optional accessory kits shipped separately for field installation

FACTORY INSTALLED OPTIONS

- Stainless Steel Finished Back

DEALERS CHOICE COMPACT UNDERCOUNTERS - R290



This unit is listed to the applicable UL, CSA and NSF Standards by an approved NRTL. Consult the factory or unit's data plate for approval information.

Many models are ENERGY STAR® listed. Please refer to www.energystar.gov to view the most up-to-date product listing and performance data.

AVAILABLE CONFIGURATIONS

27" 48" 60" Wide Models

Model	Door Style	Hinging
ULT60LR-0300	Two Hinged Solid Doors	Left/Right
ULT60LL-0300	Two Hinged Solid Doors	Left/Left
ULT60RR-0300	Two Hinged Solid Doors	Right/Right

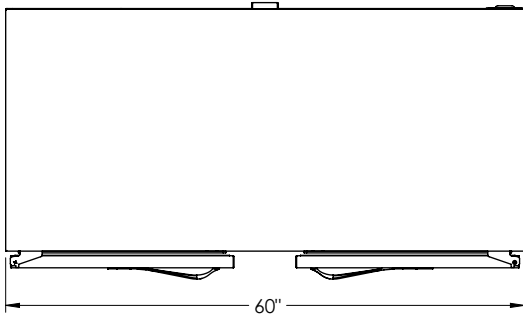
CONTINUED PRODUCT DEVELOPMENT MAY NECESSITATE SPECIFICATION CHANGES WITHOUT NOTICE.

Approved by _____ Date _____ Approved by _____ Date _____

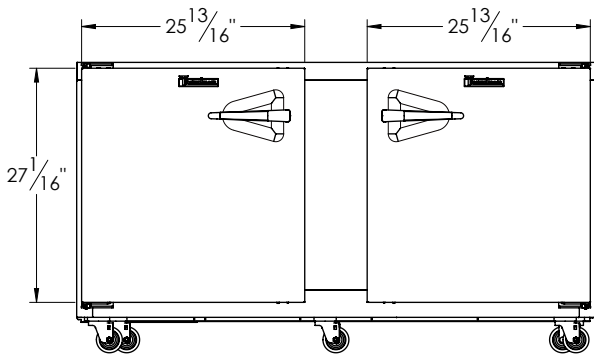
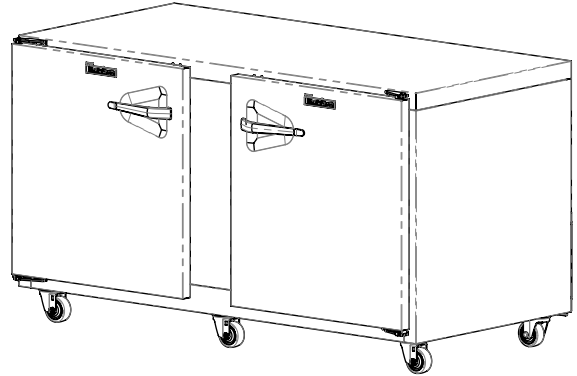


MODELS:

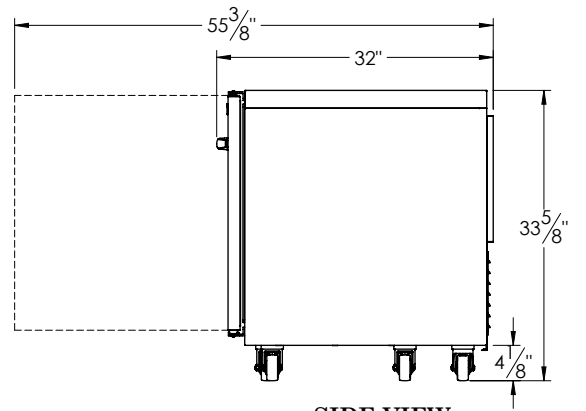
ULT60LR-0300, LL-0300, RR-0300



TOP VIEW



ELEVATION



SIDE VIEW



Project _____
 AIA # _____ SIS # _____
 Item # _____ Quantity _____ C.S.I. Section 114000



ULT SERIES - R290

Freezer Compact Undercounter

Models

Door Models: ULT60LR-0300, LL-0300, RR-0300

EQUIPMENT SPECIFICATIONS

MODELS	ULT60__-0300
DIMENSIONAL DATA	
Net Capacity cu. ft.	17.47 (494 l)
Width cabinet in.	60 (152 cm)
Width - door in.	25 7/8 (65.7 cm)
Depth - door open 90° in.	55 3/8 (140.7 cm)
Clear door opening in.	22 3/4 (57.8 cm)
No. of doors	2
No. of shelves	4
Total shelf Area sq. ft.	13.2 (1.23 m)
ELECTRICAL DATA & REFRIGERATION DATA 115/60/1 NEMA 5-15P	
Full Load Amps	7.2
MDEC ¹ (kWh)	6.79
Refrigerant	R-290
Refrigerant Amount oz. (gr)	4.5 (128 gr)
BTU ² /HR H.P.	1695 1/2
SHIPPING DATA	
Width Crated in.	69 (175 cm)
Volume Crated cu. ft.	91 (2577 l)
Crated Weight lbs.	457 (207 kg)

CONSTRUCTION, HARDWARE, INSULATION

Cabinet exterior front, one piece sides, and doors are constructed of 22 gauge stainless steel. Cabinet interior and door liners are constructed of anodized aluminum. The exterior cabinet back and bottom are constructed of galvanized steel.

Door self-closes at less than 90 degrees and also includes a stay open feature at 105 degrees. Gasket profile and material simplify cleaning and increase overall gasket life. Both the cabinet and door(s) are insulated with an average of 2" (5 cm) thick high density, non-CFC, foamed in place polyurethane.

REFRIGERATION SYSTEM

A balanced, rear mounted, front breathing, self-contained refrigeration system using environmentally-friendly R-290 refrigerant is provided. It features a TXV valve, air cooled 1695 BTU, 1/2 hp, hermetic compressor, a forced air evaporator coil and a non-electric condensate evaporator. An 8' (2.4m) NEMA cord and plug is provided. Standard operating temperature for freezer models is 0° to -5°F (-17° to -16°C).

CONTROLLER

An electronic digital control is supplied standard. It includes a 3-Digit LED display, and a Fahrenheit or Celsius temperature scale display capability.

INTERIOR

Standard interior arrangements include two (2) powder coated wire shelves per door, mounted on pilasters. These are adjustable in 1/2" (1.27 cm) increments, allowing for a minimum of 1-1/2" (3.81 cm) spacing between shelves.

DOMESTIC WARRANTY

Both a three year parts and labor warranty and a five year compressor parts warranty (self-contained models) are provided standard.

NOTES:

- MDEC = Maximum Daily Energy Consumption
 - Compressor BTU based on a 90°F (32°C) degree ambient and 20°F (-6°C) degree evaporator.
- When ordering please specify: voltage, hinging and optional accessories.

DEALERS CHOICE COMPACT UNDERCOUNTERS - R290

CONTINUED PRODUCT DEVELOPMENT MAY NECESSITATE SPECIFICATION CHANGES WITHOUT NOTICE.

Approved by _____ Date _____ Approved by _____ Date _____