



Project \_\_\_\_\_  
 AIA # \_\_\_\_\_ SIS # \_\_\_\_\_  
 Item # \_\_\_\_\_ Quantity \_\_\_\_\_ C.S.I. Section 114000



## UHT SERIES - R290

### Compact Undercounter Refrigerator

#### 72" Models / Self-Contained

#### UHT72



### STANDARD PRODUCT FEATURES

- Stainless Steel Exterior Top, Sides & Doors
- Anodized Aluminum Interior
- Front Breathing Self-Contained Refrigeration System
- Environmentally Friendly R-290 Refrigerant
- Self-Closing Door(s) with Stay-Open Feature at 105 Degrees
- Anodized Aluminum Interior Door Liner
- Electronic Control
- Two (2) Powder Coated Shelves Per Door, Mounted on Pilasters
- Automatic Non-Electric Condensate Evaporator
- Magnetic Snap-In EZ-Clean Door Gasket(s)
- 8' (2.4 m) NEMA Cord & Plug Attached
- Set of Six (6) 4" Casters
- 3-Year Parts & Labor Warranty
- 2-Years Additional Compressor Parts Warranty

### ACCESSORIES & OPTIONS (\*field installed)

- CK21 (six 6" (15.2 cm) high casters for 72" models)
- CK25 (six 3-1/2" (8.9 cm) high casters for 72" models)
- CK27 (six 2-3/4" (6.9 cm) high casters for 72" models)
- CUACC-LEGSET6 (six 6" (15.24 cm) high legs for 72" models)
- SHELF72 UPPER (upper shelf for 72" models)
- SHELF72 LOWER (lower shelf for 72" models)
- CU72TOP-BSW0 (22 ga. stainless steel top with 4" (10.2 cm) backsplash 72")
- Optional accessory kits shipped separately for field installation

### FACTORY INSTALLED OPTIONS

- Stainless Steel Finished Back \* Other Door Hinging

UHT SERIES - COMPACT UNDERCOUNTER REFRIGERATORS R290



This unit is listed to the applicable UL, CSA and NSF Standards by an approved NRTL. Consult the factory or unit's data plate for approval information.

### AVAILABLE CONFIGURATIONS

27", 32", 48", 60", 72" Wide Models

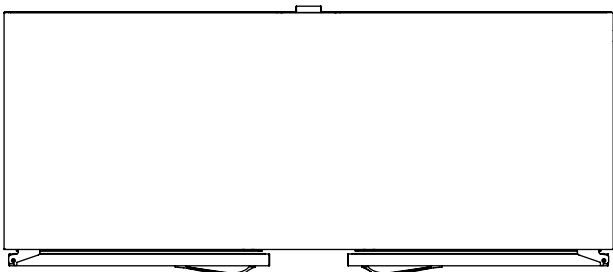
Model	Door Style	Hinging
UHT72LR-0300	Two Solid Doors	Left/Right
UHT72LL-0300	Two Solid Doors	Left/Left
UHT72RR-0300	Two Solid Doors	Right/Right

Approved by \_\_\_\_\_ Date \_\_\_\_\_ Approved by \_\_\_\_\_ Date \_\_\_\_\_

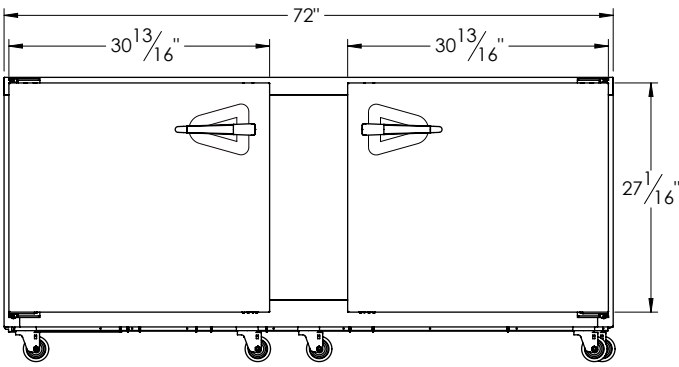
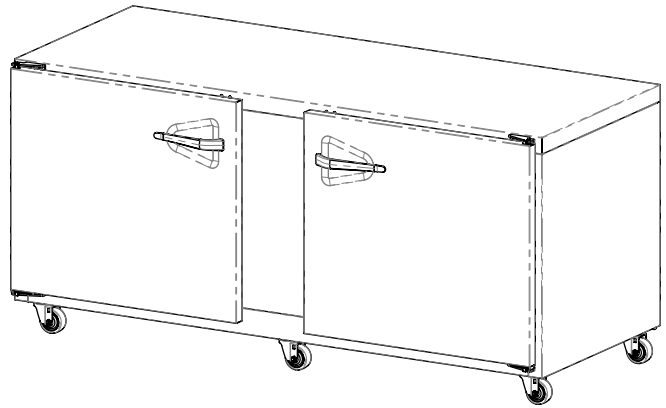


**MODELS:**

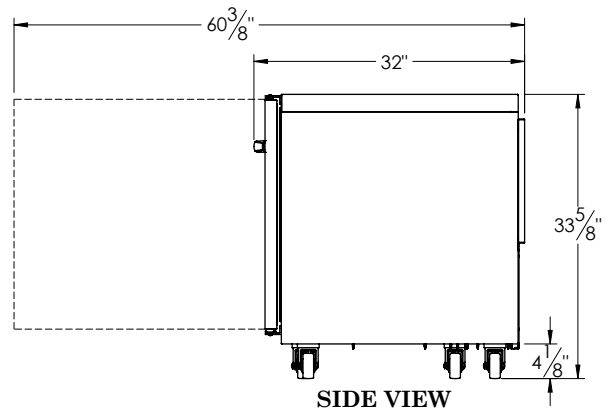
- UHT72LR-0300
- UHT72LL-0300
- UHT72RR-0300



**TOP VIEW**



**ELEVATION**



**SIDE VIEW**



# UHT SERIES - R290

## Compact Undercounter Refrigerator

### 72" Models / Self-Contained

#### MODELS:

UHT72LR-0300, LL-0300, RR-0300

MODELS	UHT72__-0300
<b>CABINET DIMENSIONAL DATA</b>	
Storage cu. ft. (l)	17.42 (494)
Width cabinet in. (cm)	72" (183)
Width - door in. (cm)	25 7/8" (65.7)
Depth - door open 90° in.	60 3/8" (140.7)
Clear door opening in. (cm)	22 3/4" (57.8)
# of doors	2
# of shelves	4
Total shelf Area sq. ft. (m)	15.5 (1.43)
<b>ELECTRICAL DATA &amp; REFRIGERATION DATA</b> 115/60/1 NEMA 5-15P	
Full Load Amps	7.2
MDEC <sup>1</sup> (kWh)	1.64
Refrigerant	R-290
Refrigerant Amount oz. (gr)	5 (142)
BTU <sup>2</sup> /HR   H.P.	1680   1/5
<b>SHIPPING DATA</b>	
Width Crated in. (cm)	84" (213)
Volume Crated cu. Ft. (l)	84 (2379)
Weight lbs. (kg) - Crated	548 (249)

#### NOTES:

- MDEC = Maximum Daily Energy Consumption
  - Compressor BTU based on a 90° F (32° C) degree ambient and 20° F (-6° C) degree evaporator.
- When ordering please specify: voltage, hinging and optional accessories.

#### EQUIPMENT SPECIFICATIONS

##### CONSTRUCTION, HARDWARE, INSULATION

Cabinet exterior front, one piece sides, and doors are constructed of 22 gauge stainless steel. Cabinet interior and door liners are constructed of anodized aluminum. The exterior cabinet back and bottom are constructed of galvanized steel.

Door self-closes at less than 90 degrees and also includes a stay open feature at 105 degrees. Gasket profile and material simplify cleaning and increase overall gasket life. Both the cabinet and door(s) are insulated with an average of 2" (5 cm) thick high density, non-CFC, foamed in place polyurethane.

##### REFRIGERATION SYSTEM

A balanced, rear mounted, front breathing, self-contained refrigeration system using environmentally friendly R-290 refrigerant is provided. It features a capillary tube, air cooled 1680 BTU, 1/5 hp, hermetic compressor, a forced air evaporator coil and a non-electric condensate evaporator. An 8' (2.4m) NEMA cord and plug is provided. Standard operating temperature for refrigerator models is 34° to 38°F (1.1° to 3.3°C).

##### CONTROLLER

An electronic digital control is supplied standard. It includes a 3-Digit LED display, and a Fahrenheit or Celsius temperature scale display capability.

##### INTERIOR

Standard interior arrangements include two (2) powder coated wire shelves per door, mounted on pilasters. These are adjustable in 1/2" (1.27 cm) increments, allowing for a minimum of 1-1/2" (3.81 cm) spacing between shelves.

##### WARRANTY

Both a three year parts and labor warranty and a five year compressor parts warranty (self-contained models) are provided standard.

CONTINUED PRODUCT DEVELOPMENT MAY NECESSITATE SPECIFICATION CHANGES WITHOUT NOTICE.